

[54] DEMONSTRATOR FOR INDICATING THE EFFECT OF ADDITIVE IN ENGINE OIL AND THE LIKE

1,977,244	10/1934	Putnam et al.	35/50
2,700,228	11/1955	Fainman	35/50
3,133,976	5/1964	Gross	D7/157
3,215,409	11/1965	Purciello	D7/157

[76] Inventor: Clinton H. Morey, 166 Leisure World, Mesa, Ariz. 85206

Primary Examiner—Melvin B. Feifer
Attorney, Agent, or Firm—Graybeal & Uhlir

[**] Term: 14 Years

[57] CLAIM

[21] Appl. No.: 868,668

The ornamental design for a demonstrator for indicating the effect of additive in engine oil and the like, substantially as shown and described.

[22] Filed: Jan. 11, 1978

[51] Int. Cl. D19-07

[52] U.S. Cl. D19/62; D7/157

[58] Field of Search D19/62, 59; D7/157; 35/49, 50

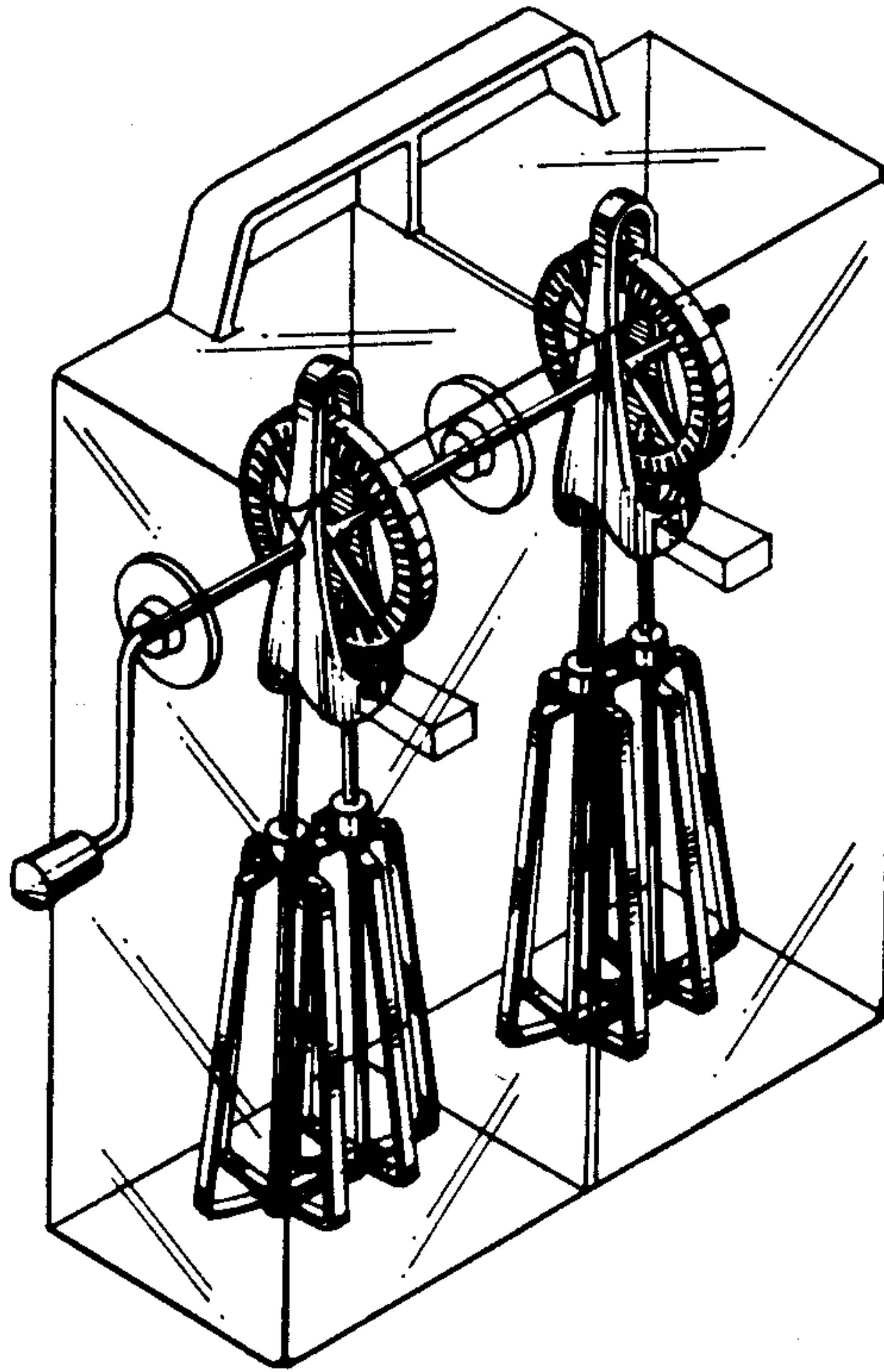
DESCRIPTION

FIG. 1 is an isometric view from an upper aspect of a demonstrator for indicating the effect of additive in engine oil and the like, showing my new design; FIG. 2 is a side elevational view thereof; FIG. 3 is an end elevational view thereof; FIG. 4 is a top plan view thereof.

[56] References Cited

U.S. PATENT DOCUMENTS

454,165 6/1891 Dennison D7/157



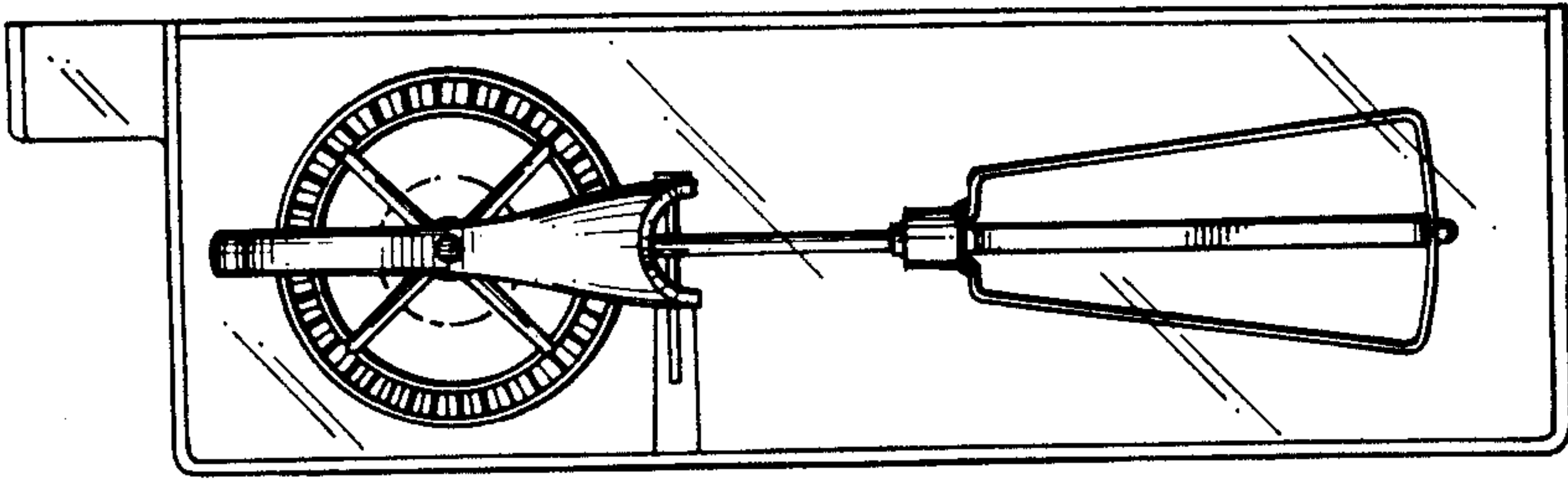


Fig. 3.

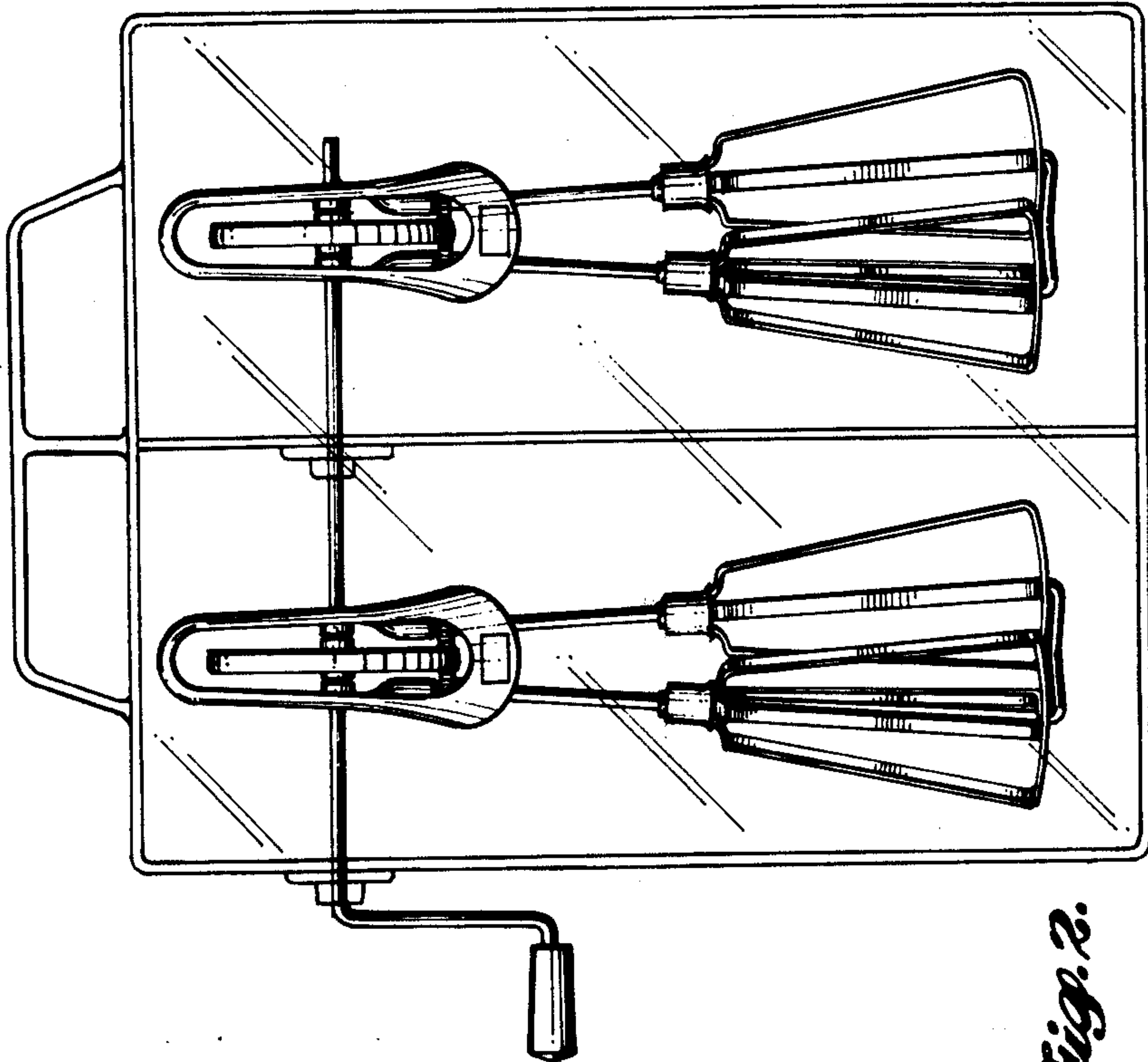


Fig. 2.

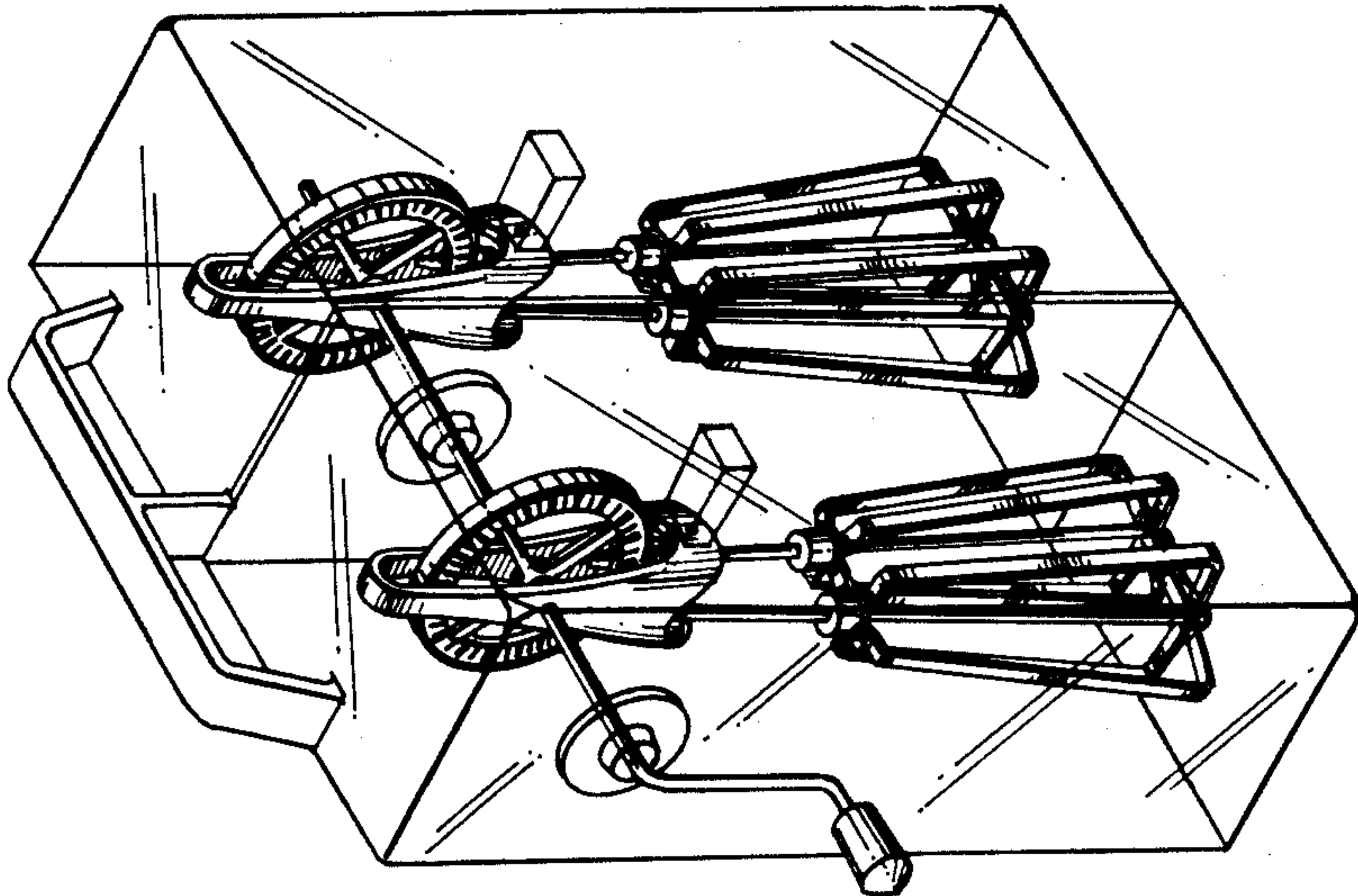


Fig. 1.

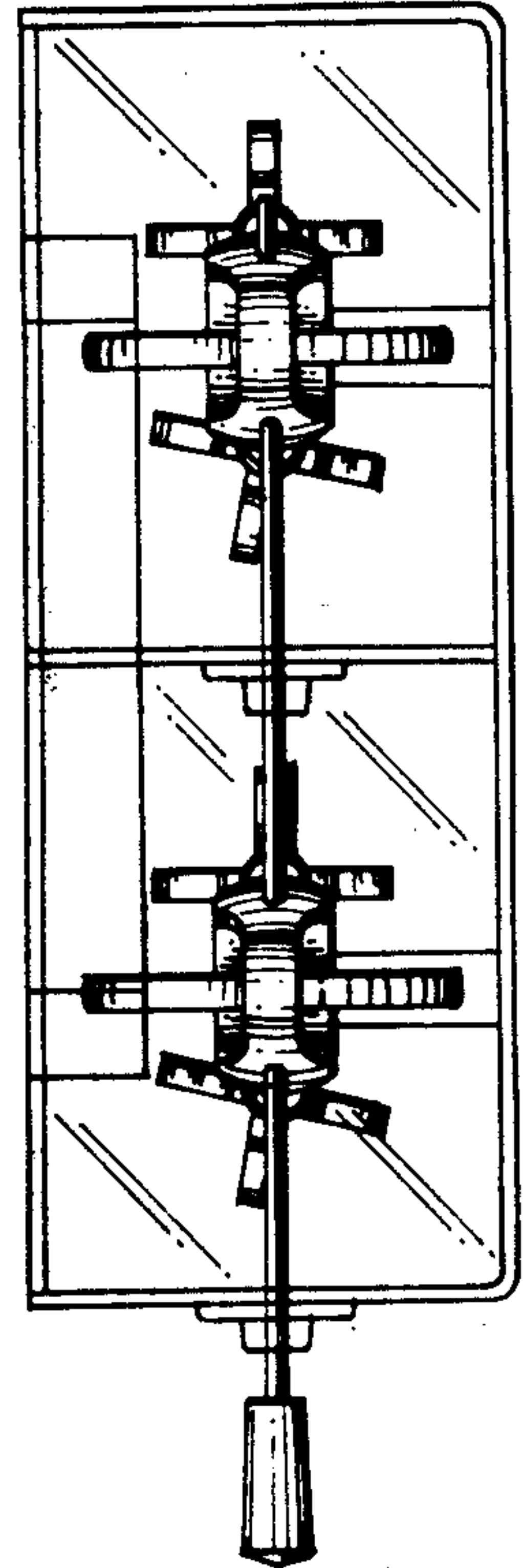


Fig. 4.