

[54] PHOTOGRAPHIC CAMERA HAVING AN ELECTRONIC FLASH UNIT

[75] Inventor: David E. Hansen, Fairport, N.Y.

[73] Assignee: Eastman Kodak Company, Rochester, N.Y.

[**] Term: 14 Years

[21] Appl. No.: 876,076

[22] Filed: Feb. 8, 1978

[51] Int. Cl. D16-01

[52] U.S. Cl. D16/06

[58] Field of Search D16/1-10; 354/83, 126, 145, 152, 162, 174, 187, 202, 288, 84-93

[56] References Cited

U.S. PATENT DOCUMENTS

D. 244,686	6/1977	Hansen	D16/06
D. 247,852	5/1978	Fukuda	D16/06
4,128,322	12/1978	Stemme et al.	354/83

OTHER PUBLICATIONS

ITT Magicflash EF246 Brochure.

Primary Examiner—Catherine E. Kemper
Attorney, Agent, or Firm—D. P. Monteith

[57] CLAIM

The ornamental design for a photographic camera having an electronic flash unit, as shown and described.

DESCRIPTION

FIG. 1 is a front elevational view of a photographic camera, showing my new design; shown with the electronic flash unit in a retracted position;

FIG. 2 is a bottom plan view thereof;

FIG. 3 is a right side elevational view thereof;

FIG. 4 is a left side elevational view thereof;

FIG. 5 is a top plan view thereof;

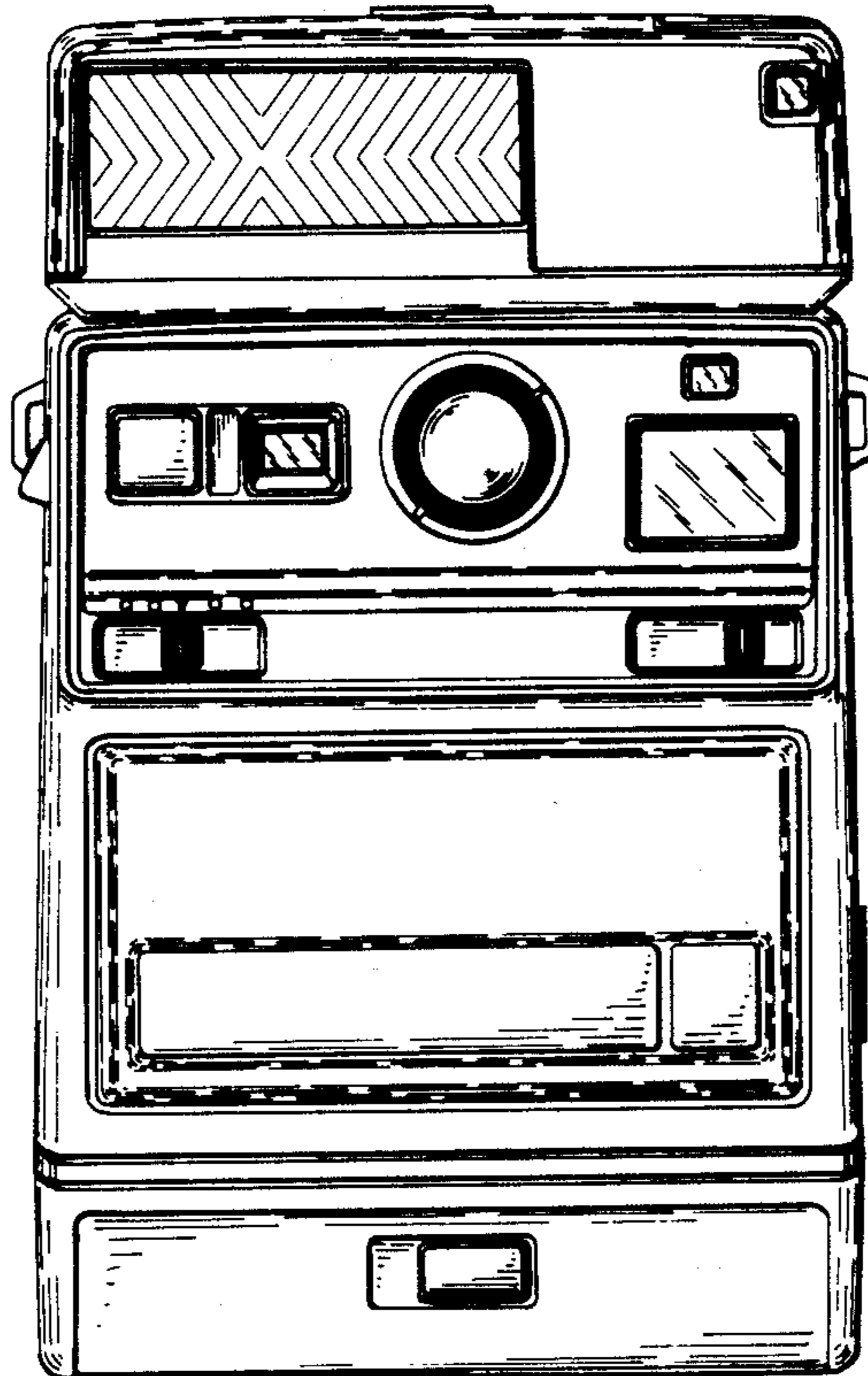
FIG. 6 is a rear elevational view thereof;

FIG. 7 is a front elevational view shown with the electronic flash unit in an extended position;

FIG. 8 is a bottom plan view thereof;

FIG. 9 is a top plan view thereof;

FIG. 10 is a rear elevational view thereof.



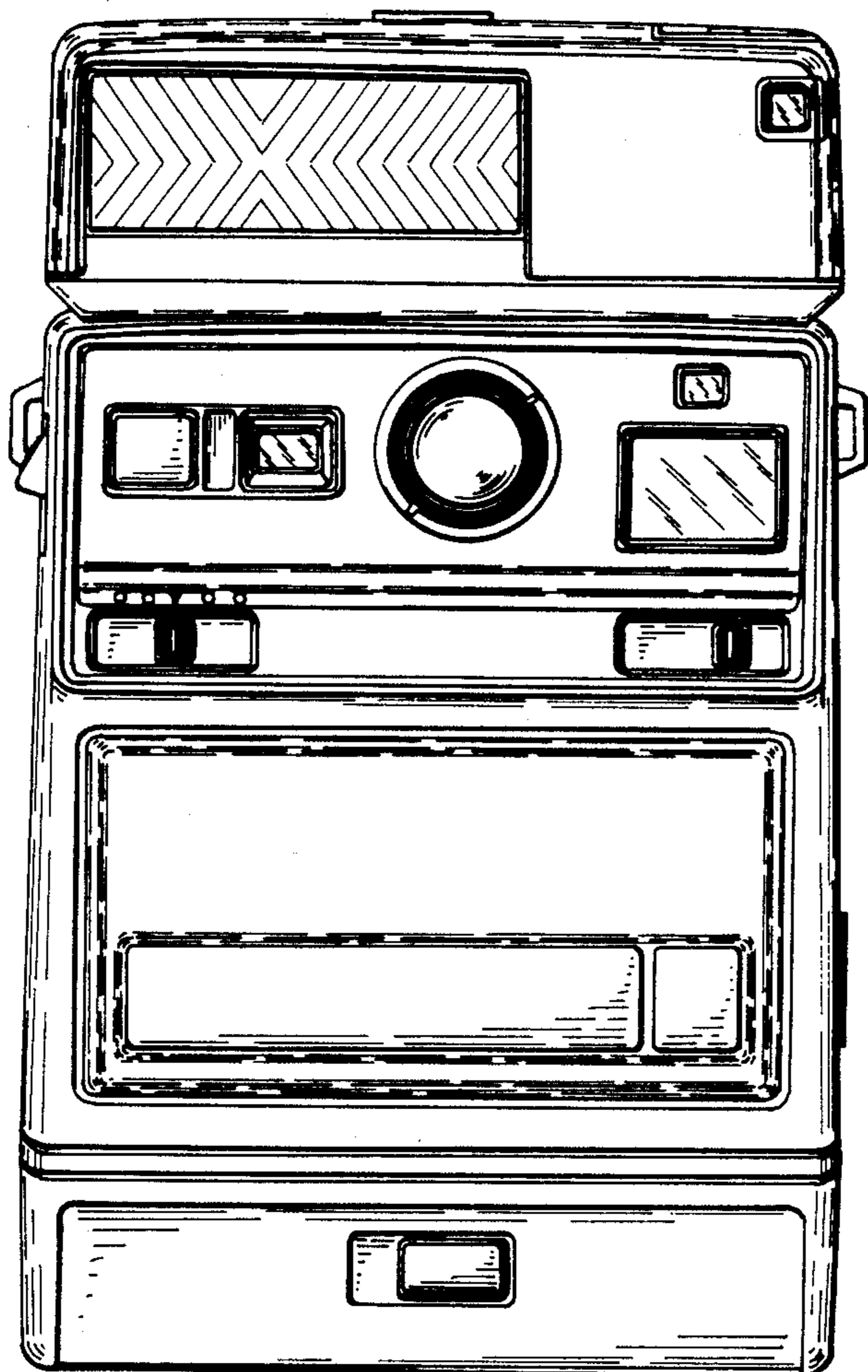


FIG. 1

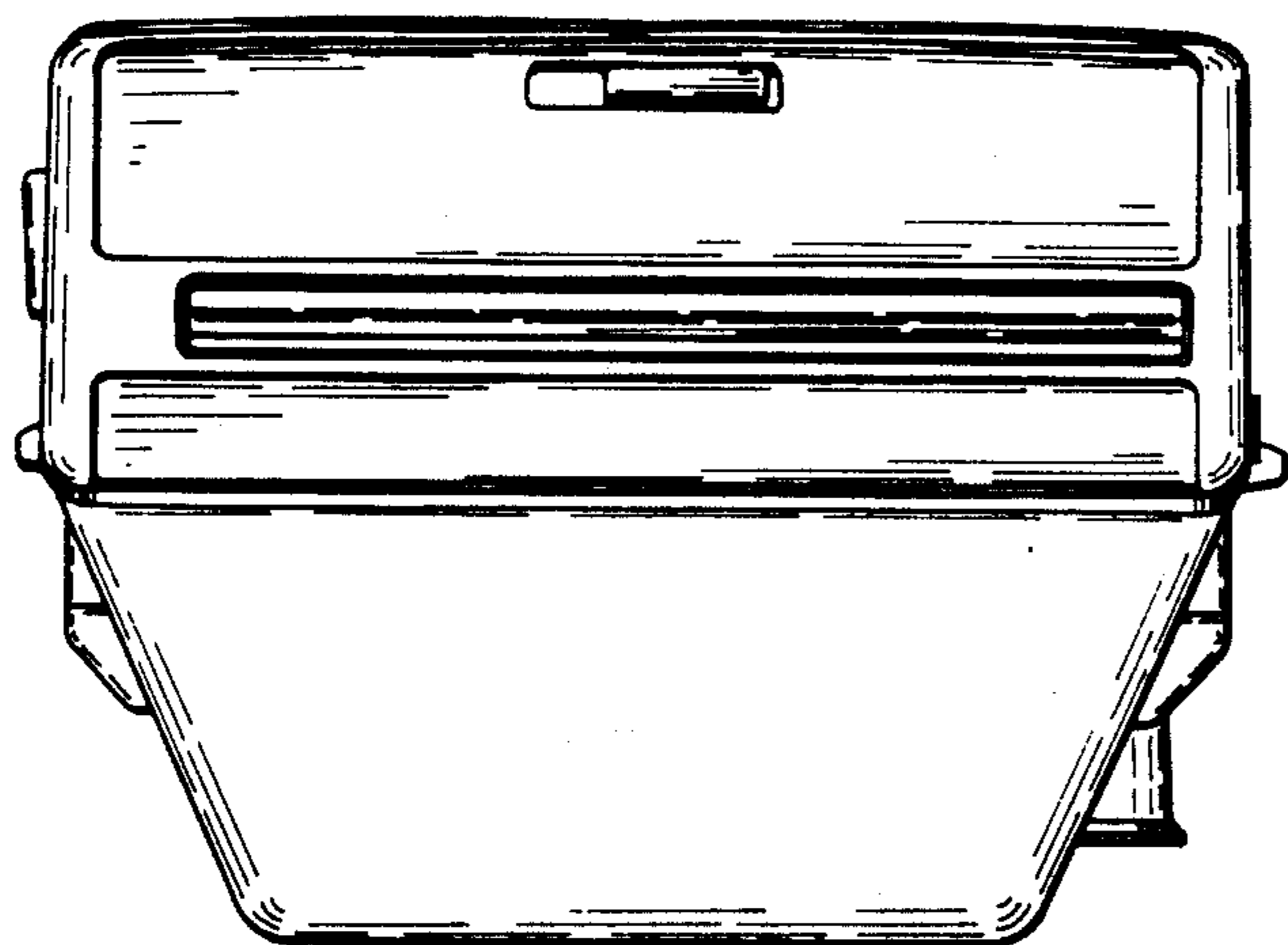


FIG. 2

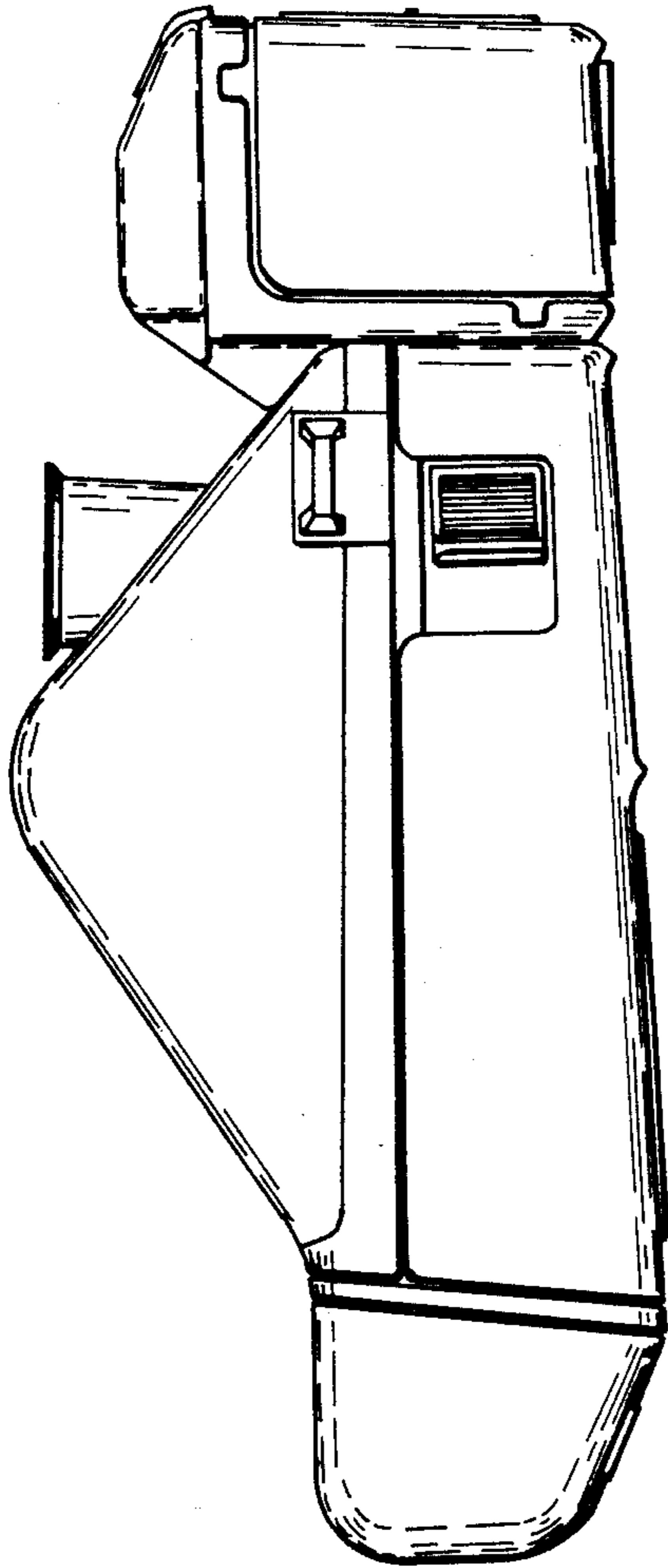


FIG. 3

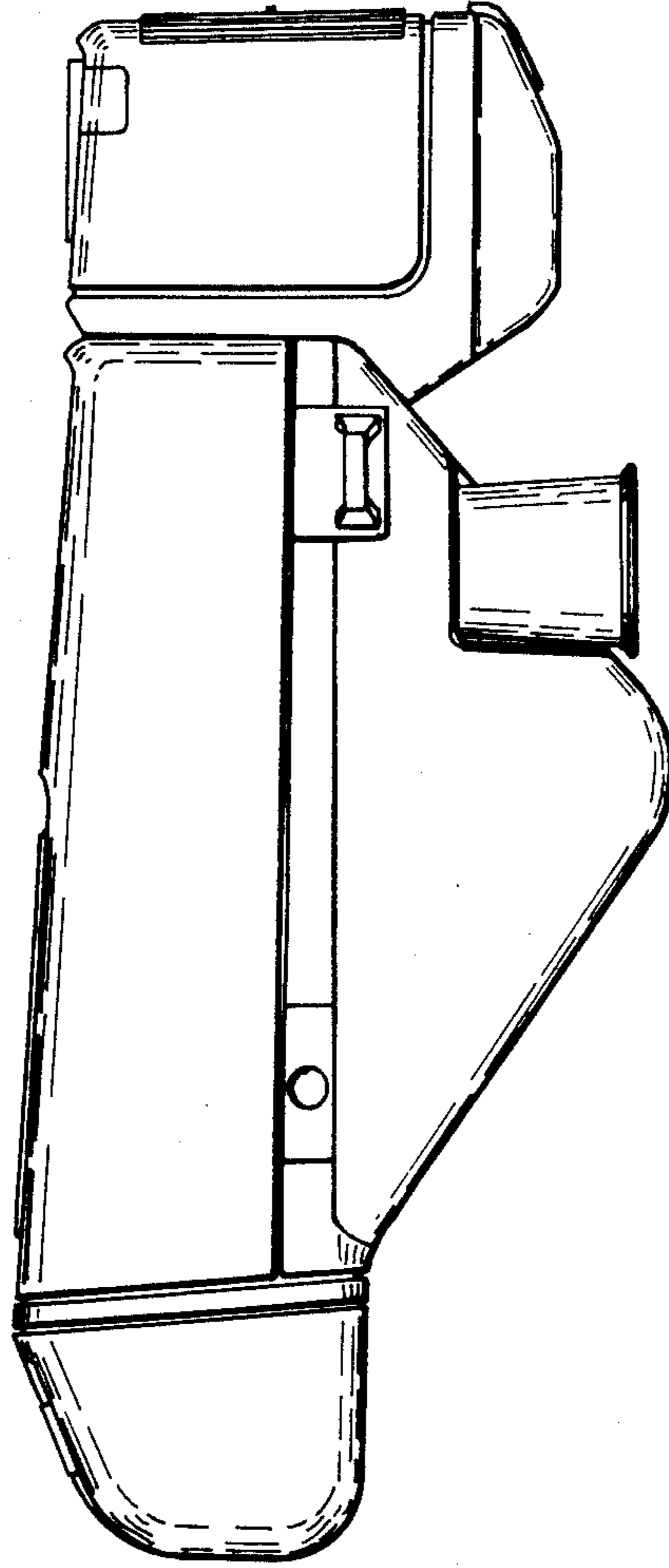


FIG. 4

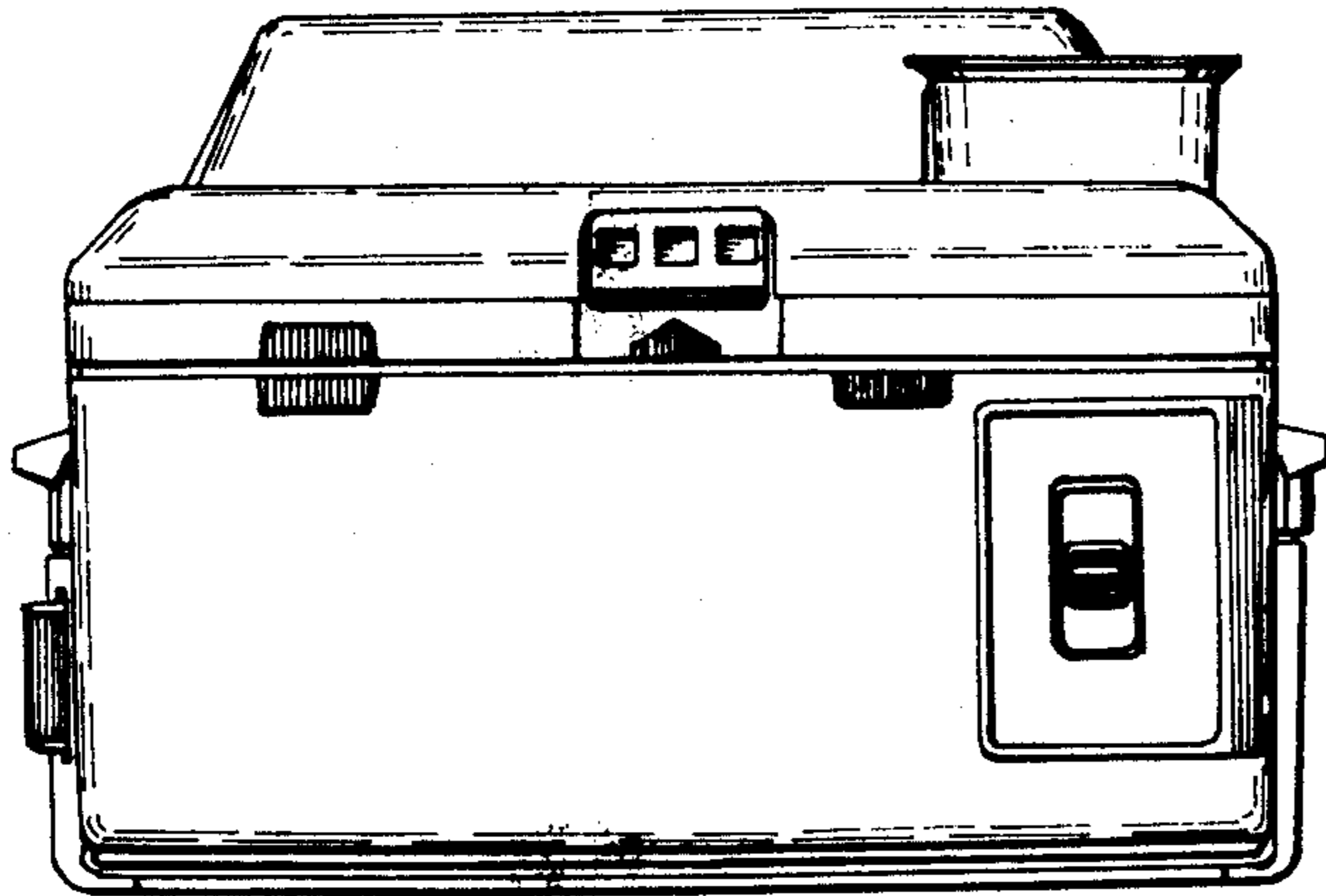


FIG. 5

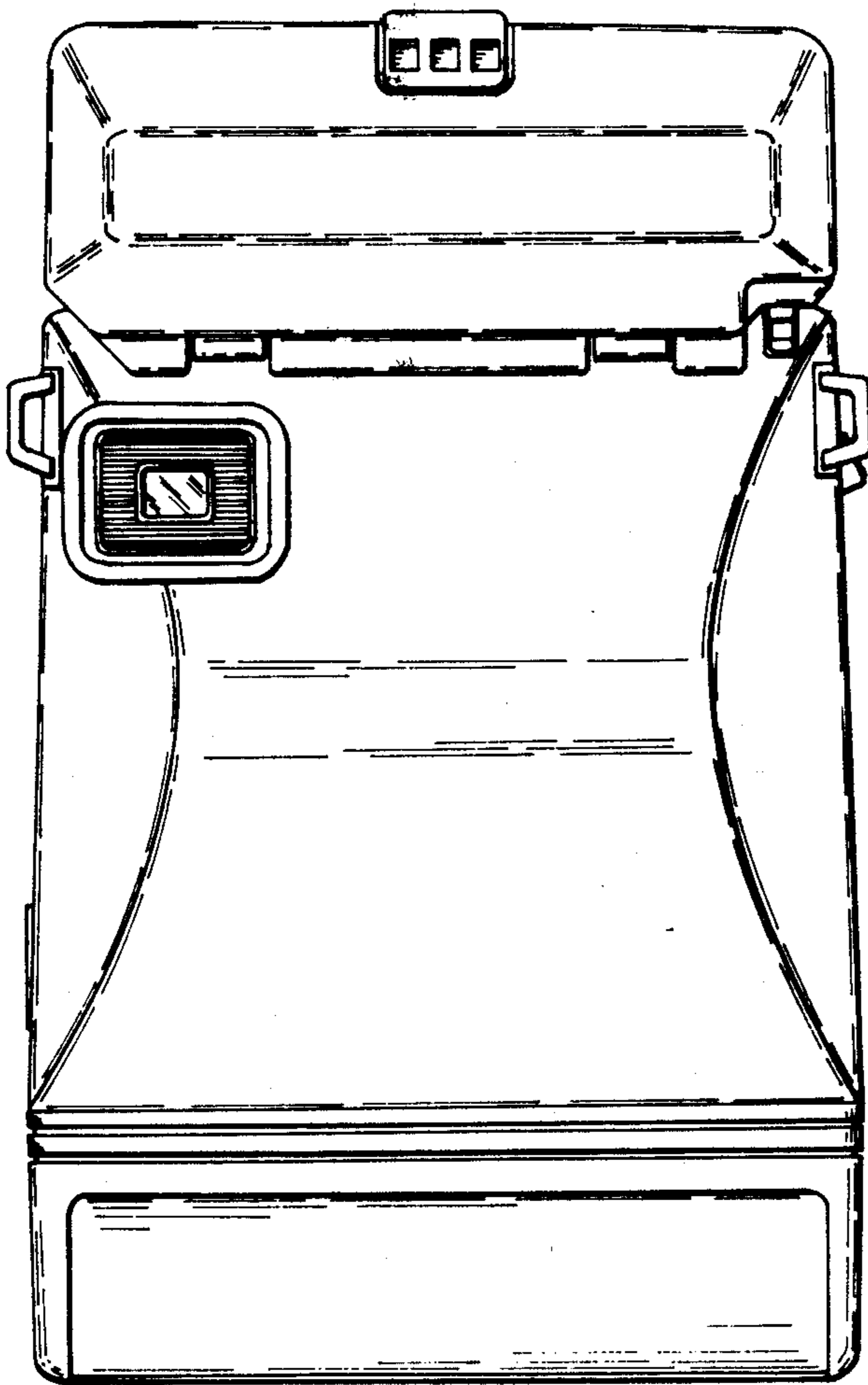


FIG. 6

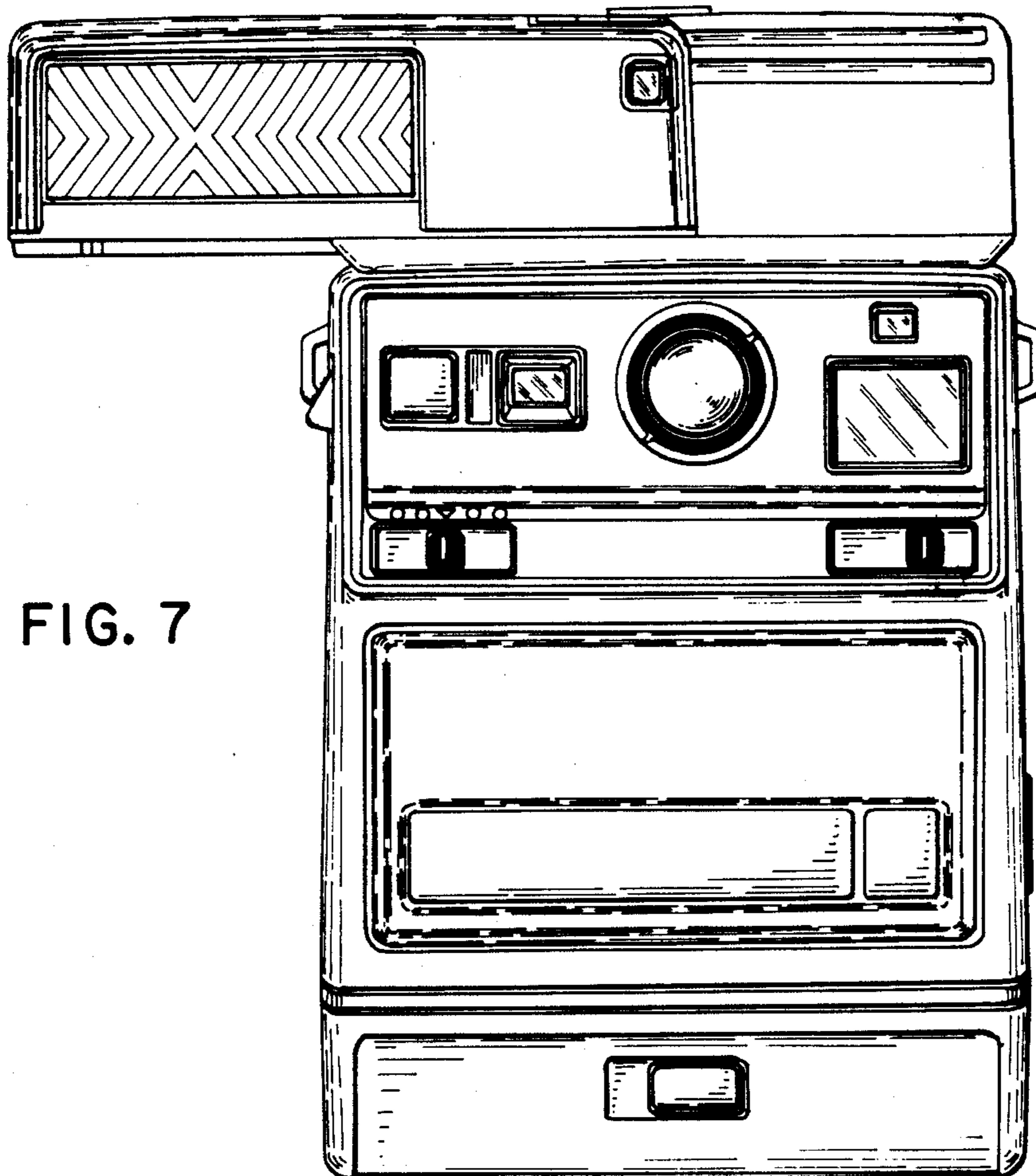


FIG. 7

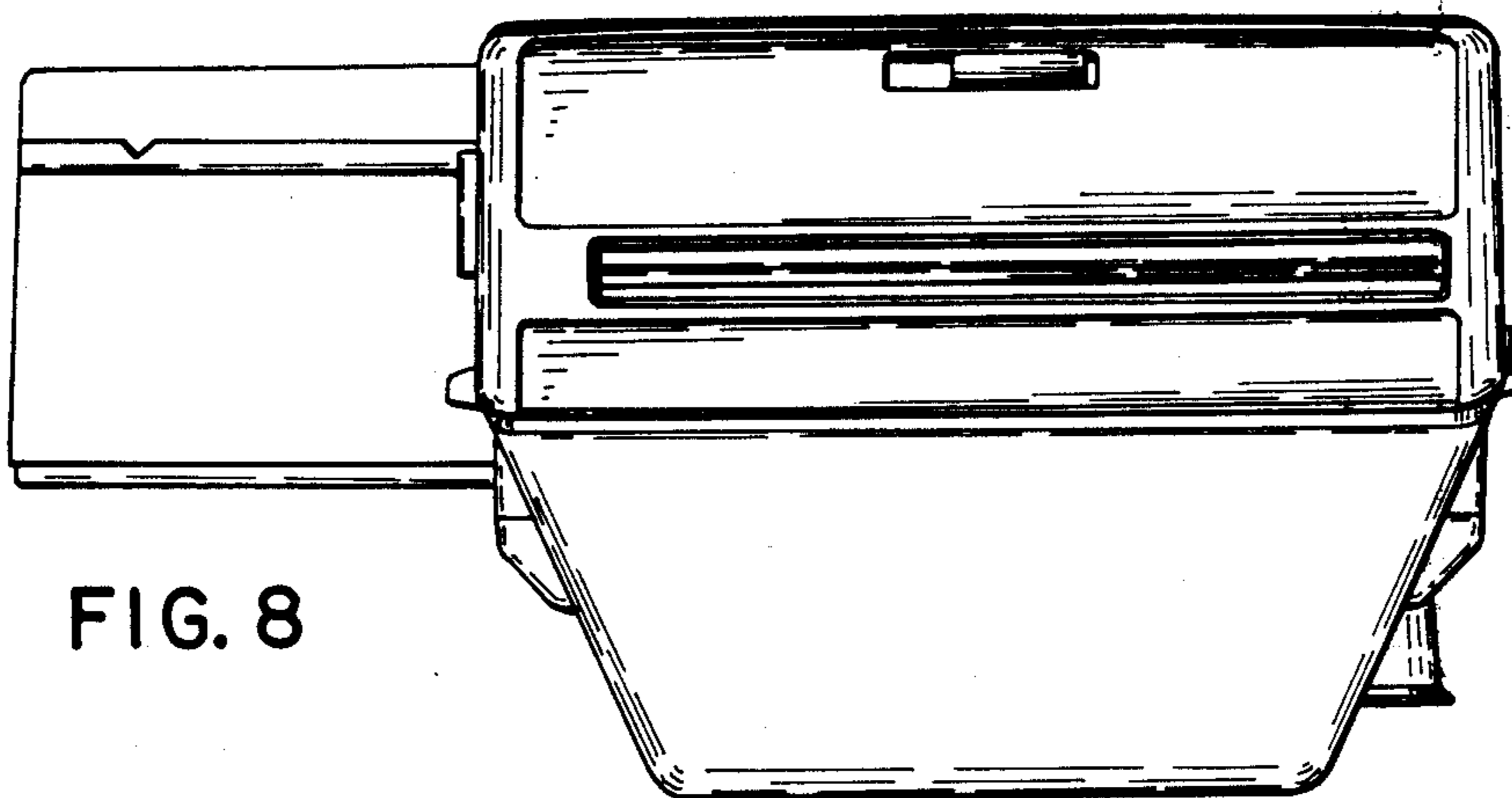


FIG. 8

FIG. 9

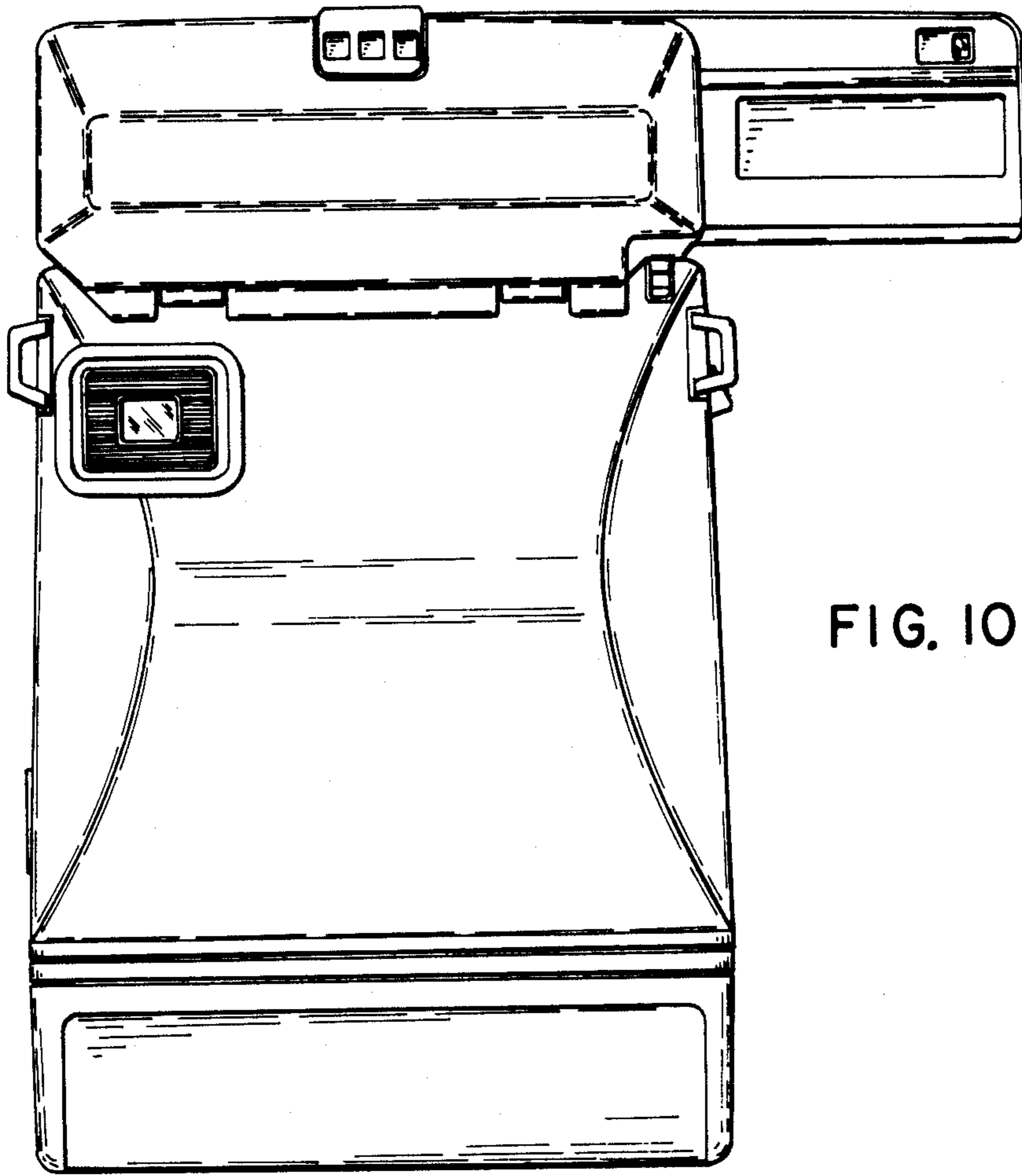
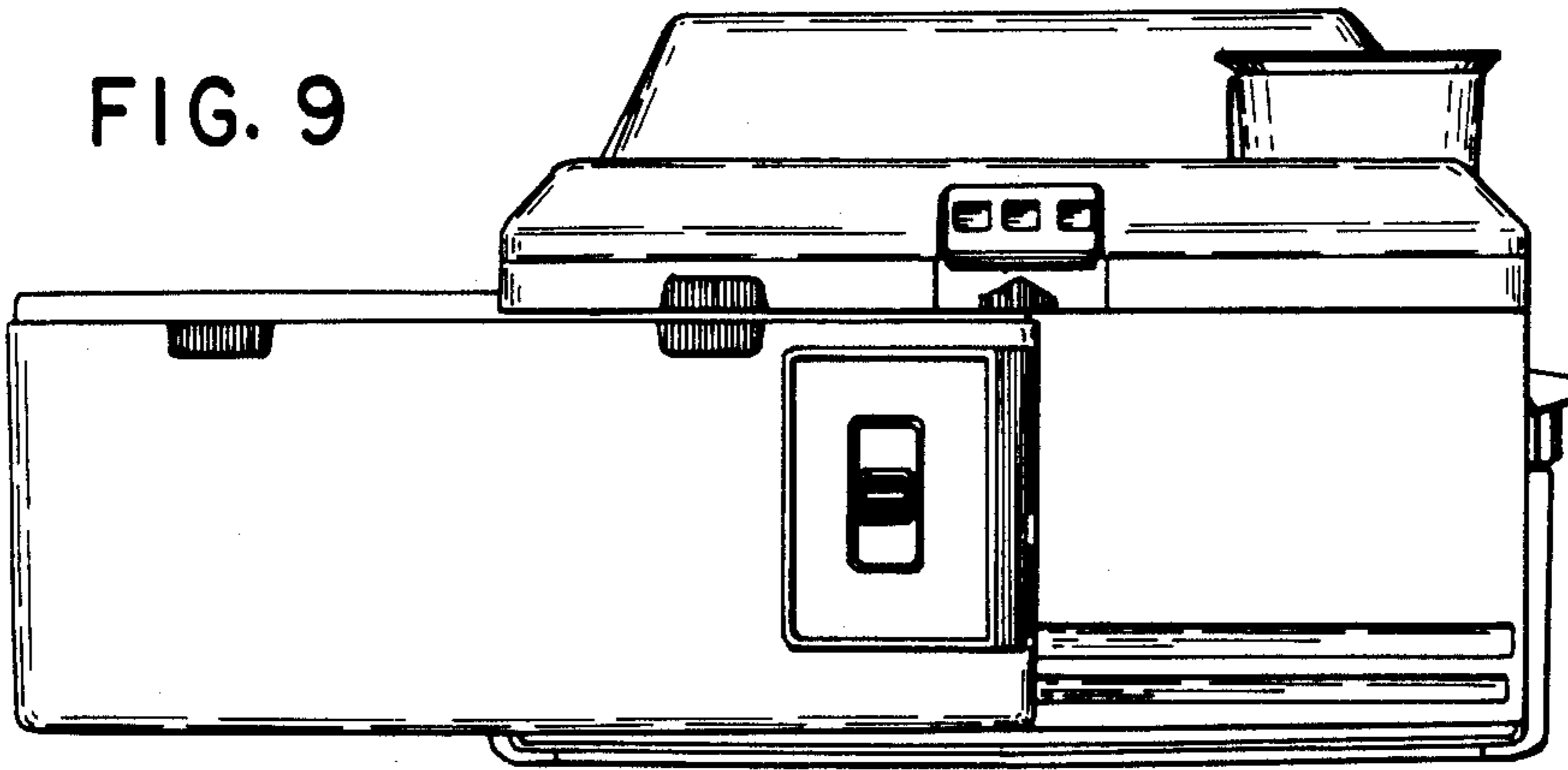


FIG. 10