

[54] ARM FOR A BELT GRINDING MACHINE

[75] Inventor: Elwin H. Fleckenstein, Alden, N.Y.

[73] Assignee: Dynabrade, Inc., Tonawanda, N.Y.

[**] Term: 14 Years

[21] Appl. No.: 924,994

[22] Filed: Jul. 17, 1978

[51] Int. Cl. D15-09

[52] U.S. Cl. D15/126

[58] Field of Search D15/124-126,
D15/138, 140; 51/135 R, 135 BT, 170 EB

[56] References Cited

U.S. PATENT DOCUMENTS

3,153,306	10/1964	Robischung	51/135 R
3,713,255	1/1973	Welsch	51/135 R

Primary Examiner—Wallace R. Burke
Assistant Examiner—B. J. Bullock
Attorney, Agent, or Firm—Bean, Kauffman & Bean

[57] CLAIM

The ornamental design for an arm for a belt grinding machine, as shown and described.

DESCRIPTION

FIG. 1 is a perspective view of an arm of a belt grinding machine showing my new design;
FIG. 2 is a top plan view thereof;
FIG. 3 is a bottom plan view thereof;
FIG. 4 is a side elevational view taken from the right of FIG. 1;
FIG. 5 is a side elevational view taken from the left of FIG. 1;
FIG. 6 is a front elevational view thereof; and
FIG. 7 is a rear elevational view thereof.

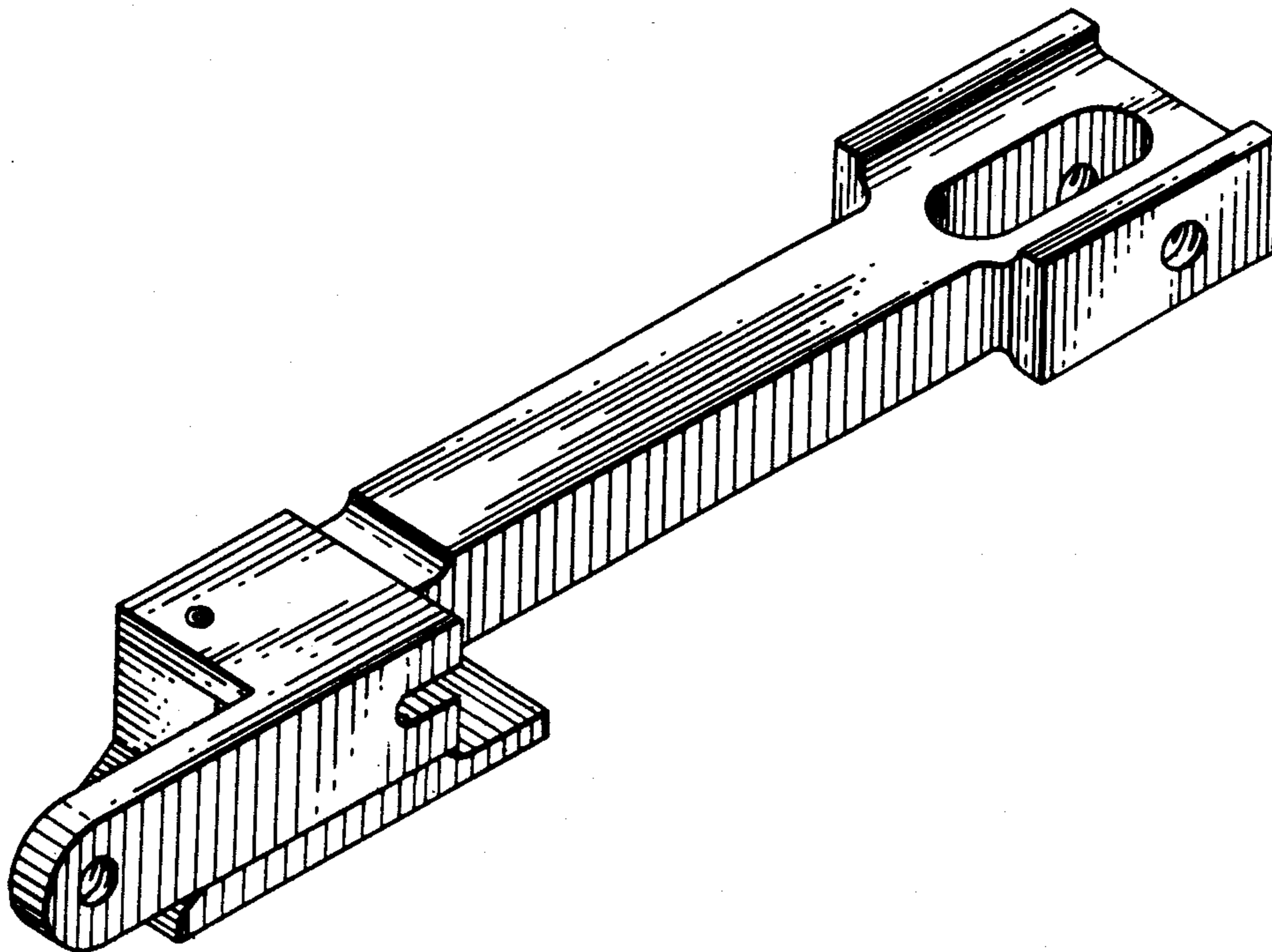


Fig. 1.

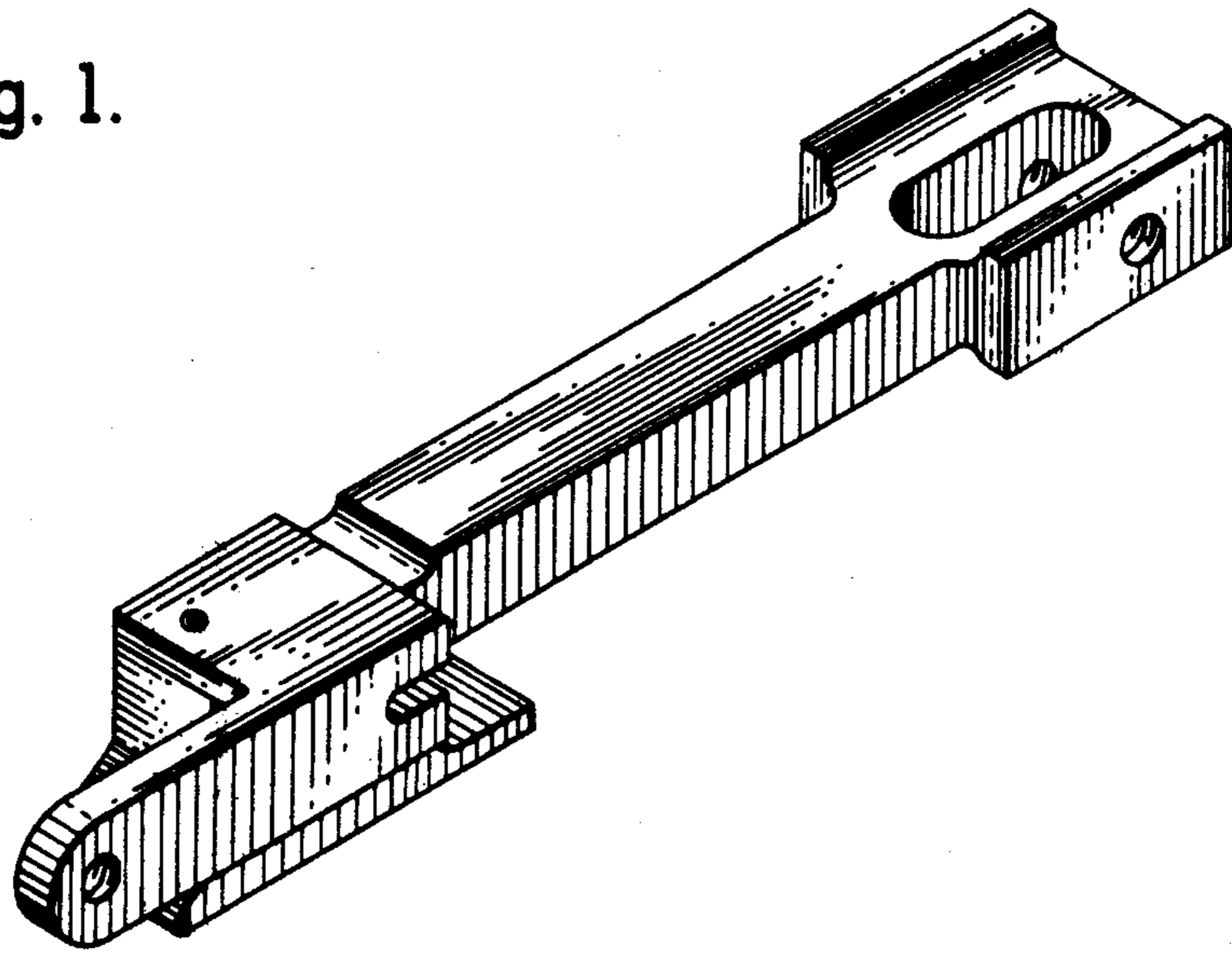


Fig. 2.

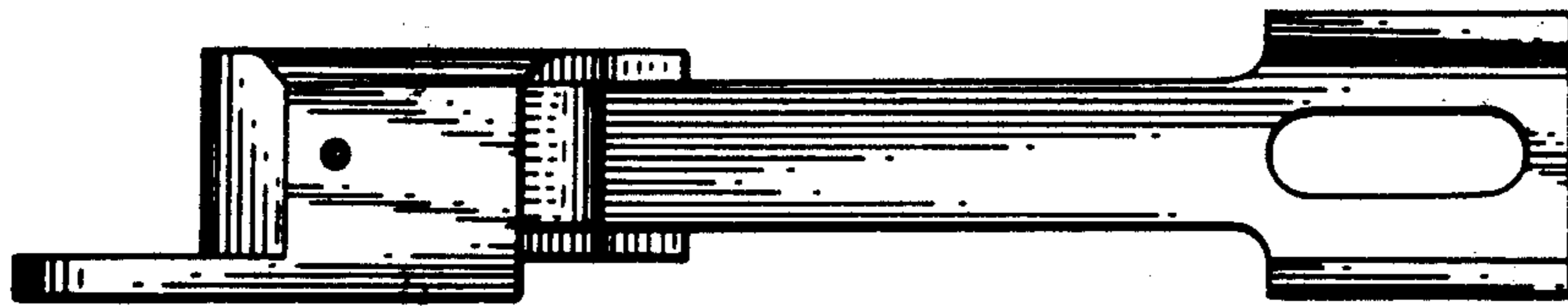


Fig. 3.

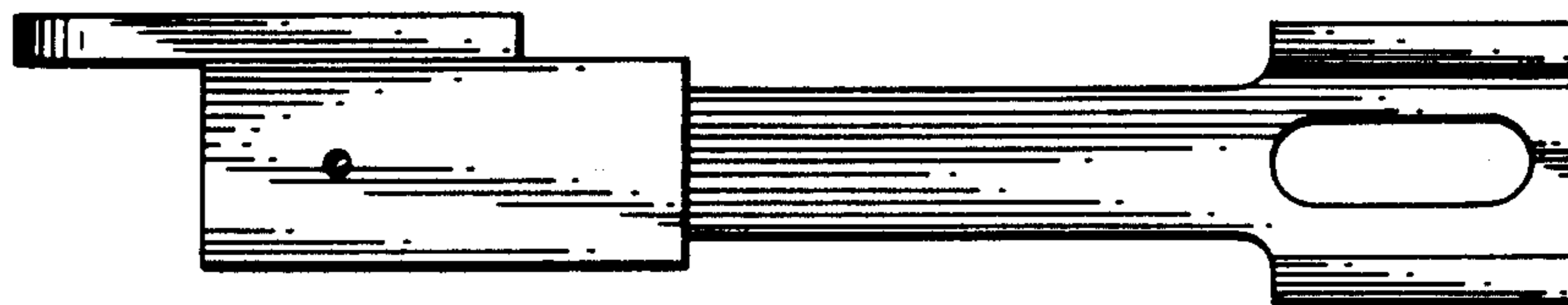


Fig. 4.

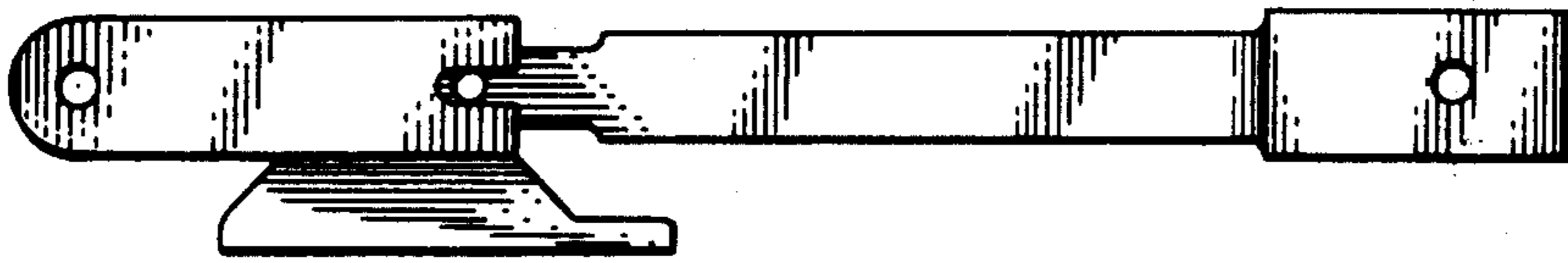


Fig. 5.

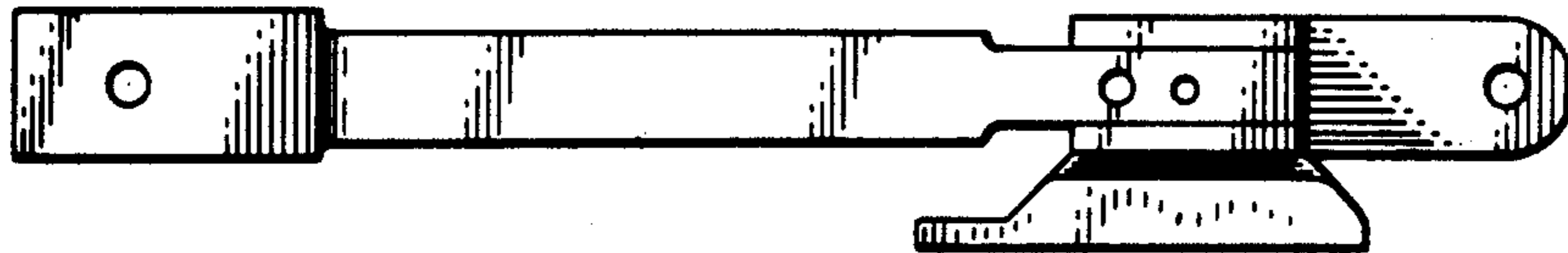


Fig. 6.

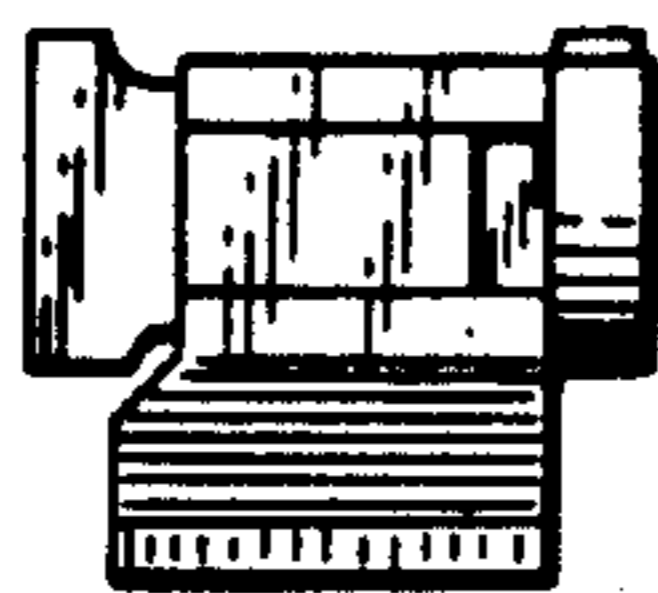


Fig. 7.

