

[54] LIQUID DISPENSING VACUUM CLEANER

[56]

References Cited

[76] Inventor: Jelle G. Nauta, R.R. #4, Stouffville, Ontario, Canada

U.S. PATENT DOCUMENTS

D. 242,210 11/1976 Parise et al. D15/52
D. 247,671 4/1978 Laule et al. D15/52
D. 248,656 7/1978 Parise D15/52

[**] Term: 14 Years

Primary Examiner—Susan J. Lucas
Assistant Examiner—Catherine Kemper
Attorney, Agent, or Firm—Edward H. Oldham

[21] Appl. No.: 839,785

[57] CLAIM

[22] Filed: Oct. 5, 1977

The ornamental design for a liquid dispensing vacuum cleaner, as shown.

[51] Int. Cl. D15-05

DESCRIPTION

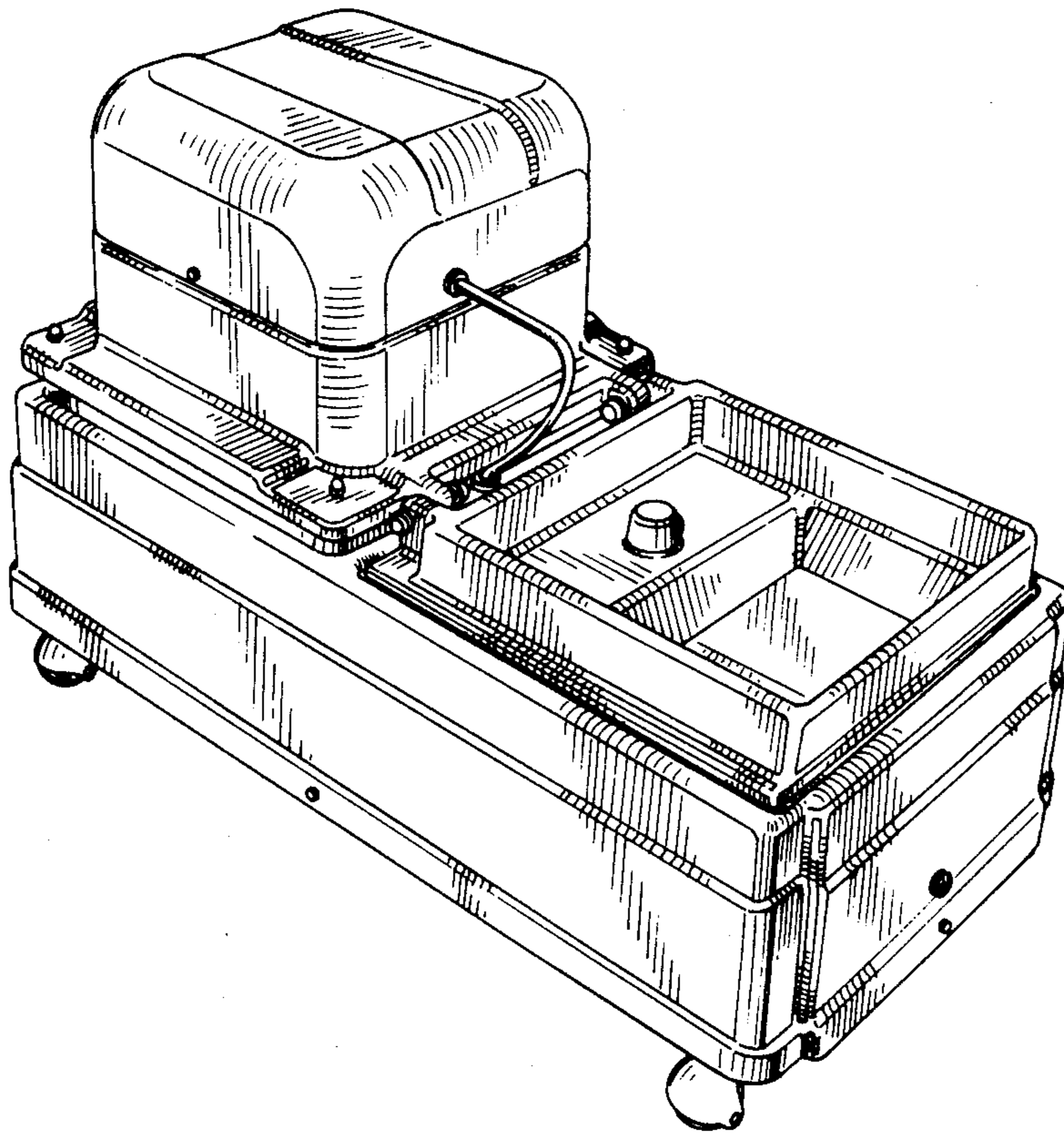
[52] U.S. Cl. D15/52

FIG. 1 is a front perspective view of a liquid dispensing vacuum cleaner showing my new design.

[58] Field of Search D15/34, 48, 52, 56, D15/62; 15/320, 321, 322, 327 R, 327 D, 339, 347, 349, 353, 354, 323, 324, 325

FIG. 2 is a top rear perspective view thereof.

FIG. 3 is a bottom perspective view thereof.



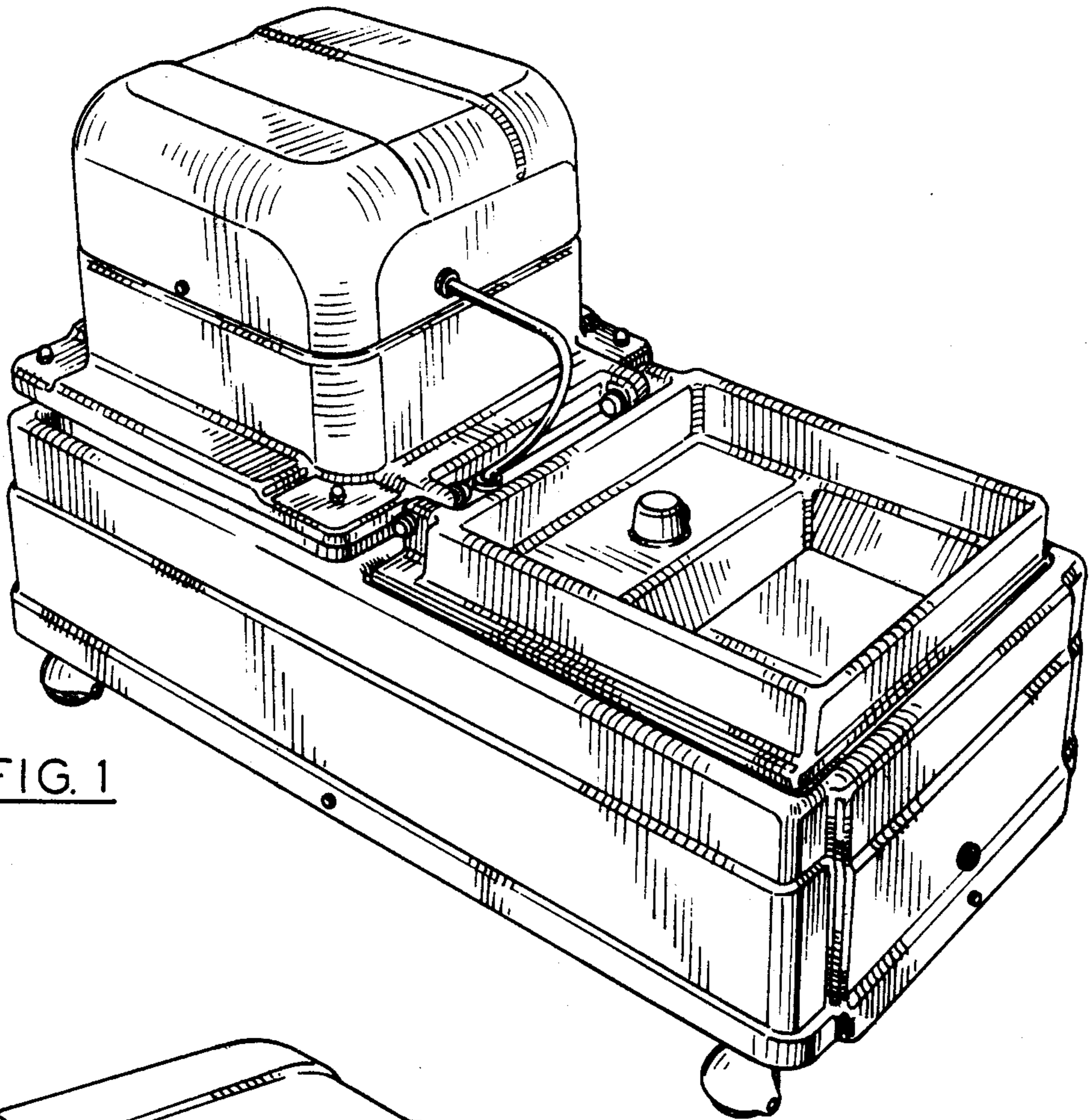


FIG. 1

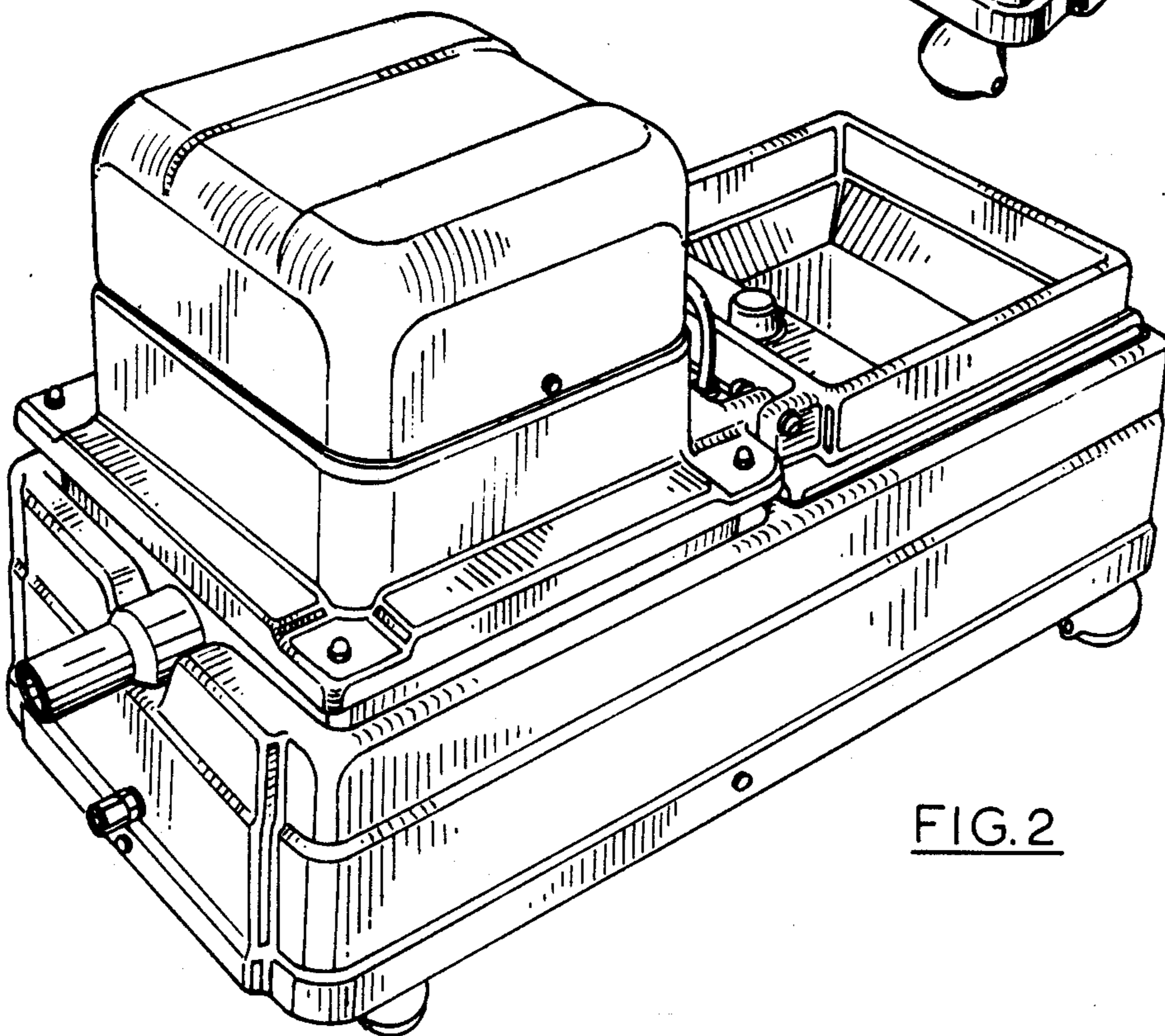


FIG. 2

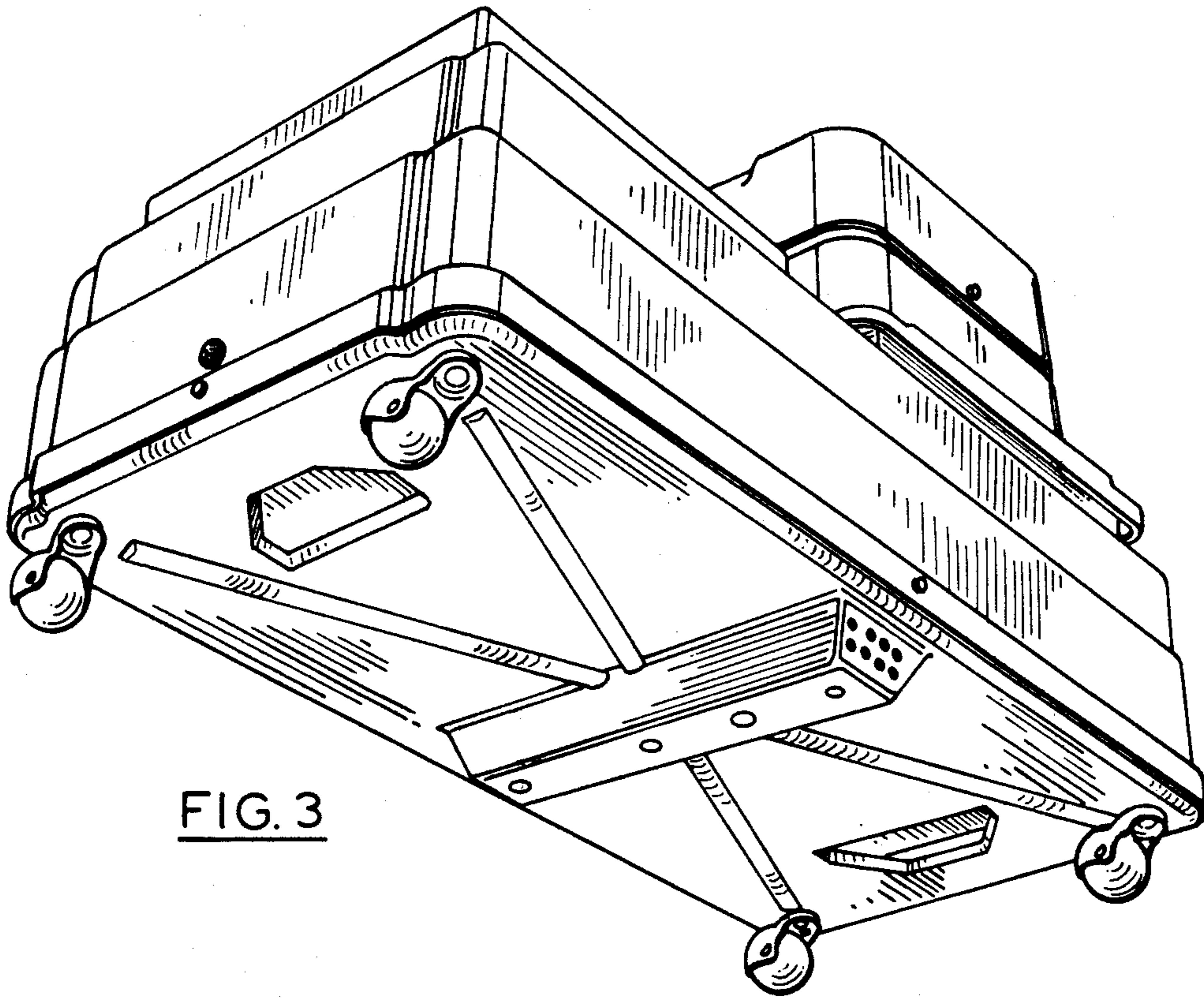


FIG. 3