

[54] DIGITAL THERMOMETER

[75] Inventors: Eugene J. Sulek, Lubbock; William J. Lawrence, Dallas, both of Tex.

[73] Assignee: Texas Instruments Incorporated, Dallas, Tex.

[**] Term: 14 Years

[21] Appl. No.: 880,539

[22] Filed: Feb. 23, 1978

[51] Int. Cl. D10-04
[52] U.S. Cl. D10/57
[58] Field of Search D10/46, 47, 57, 58, D10/75, 78, 103; 73/362 AR, 362 SC, 343, 359 R

[56] References Cited

U.S. PATENT DOCUMENTS

D. 219,918 2/1971 Mongodin D10/46
3,139,753 7/1964 Brudner 73/362 AR

OTHER PUBLICATIONS

Industrial Design, 6/74, p. 61, Digital Thermometer at top.

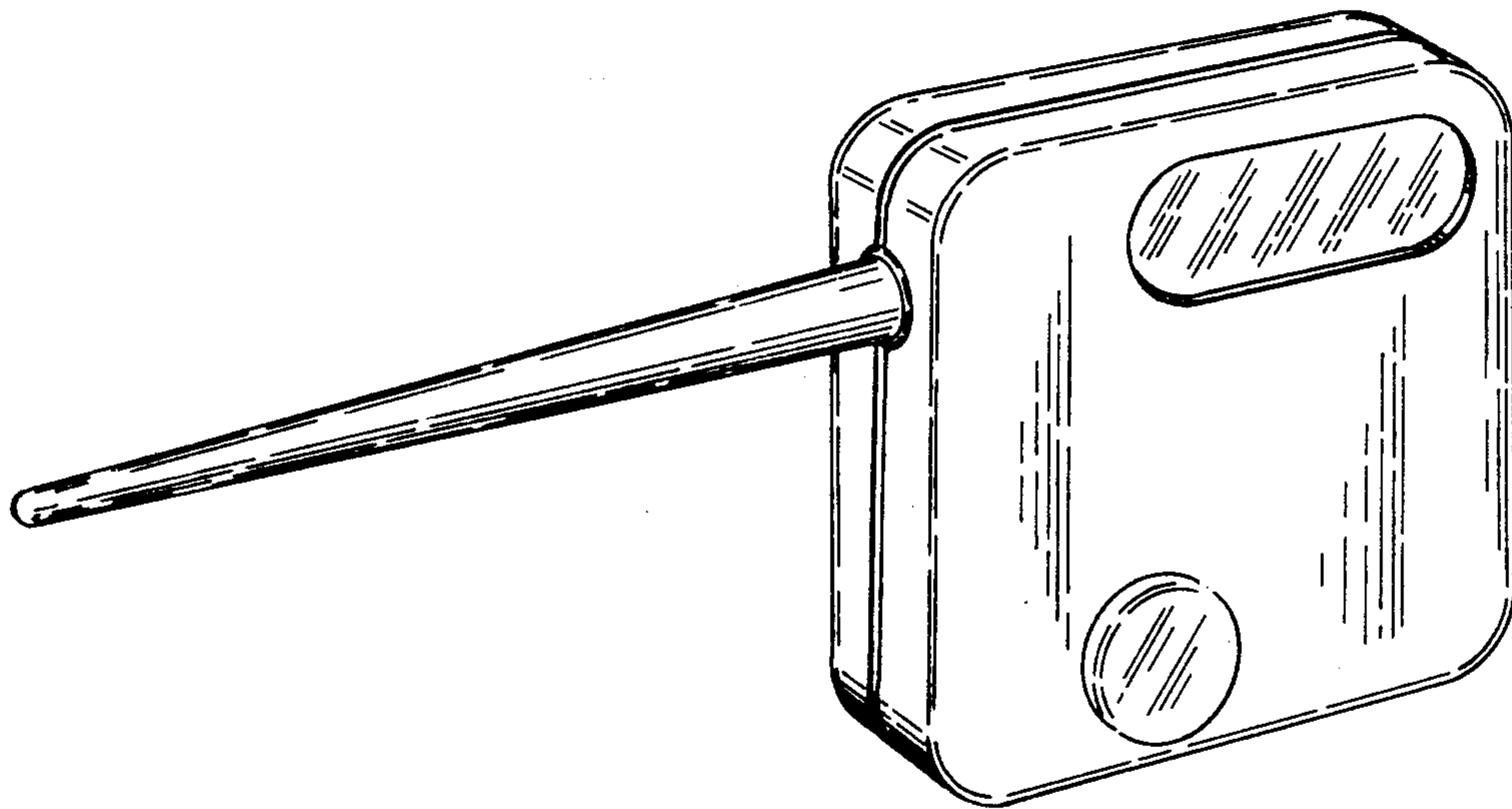
Primary Examiner—Nelson C. Holtje
Attorney, Agent, or Firm—William K. McCord; Stephen S. Sadacca; Mel Sharp

[57] CLAIM

The ornamental design for a digital thermometer, substantially as shown and described.

DESCRIPTION

FIG. 1 is a perspective view of a digital thermometer housing showing our new design; FIG. 2 is a top plan view thereof, the bottom plan view being a mirror image thereto; FIG. 3 is a left side elevational view thereof; FIG. 4 is a front elevational view thereof, the rear being similar but flat, plain, and unornamented; and FIG. 5 is a right side elevational view thereof. The spring cord and probe are shown only in FIG. 1; the digital thermometer housing with spring cord and probe is an embodiment of the design of our invention.



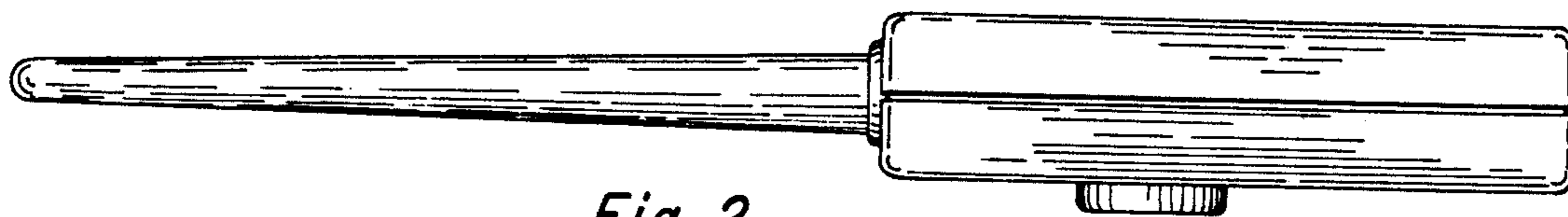


Fig. 2

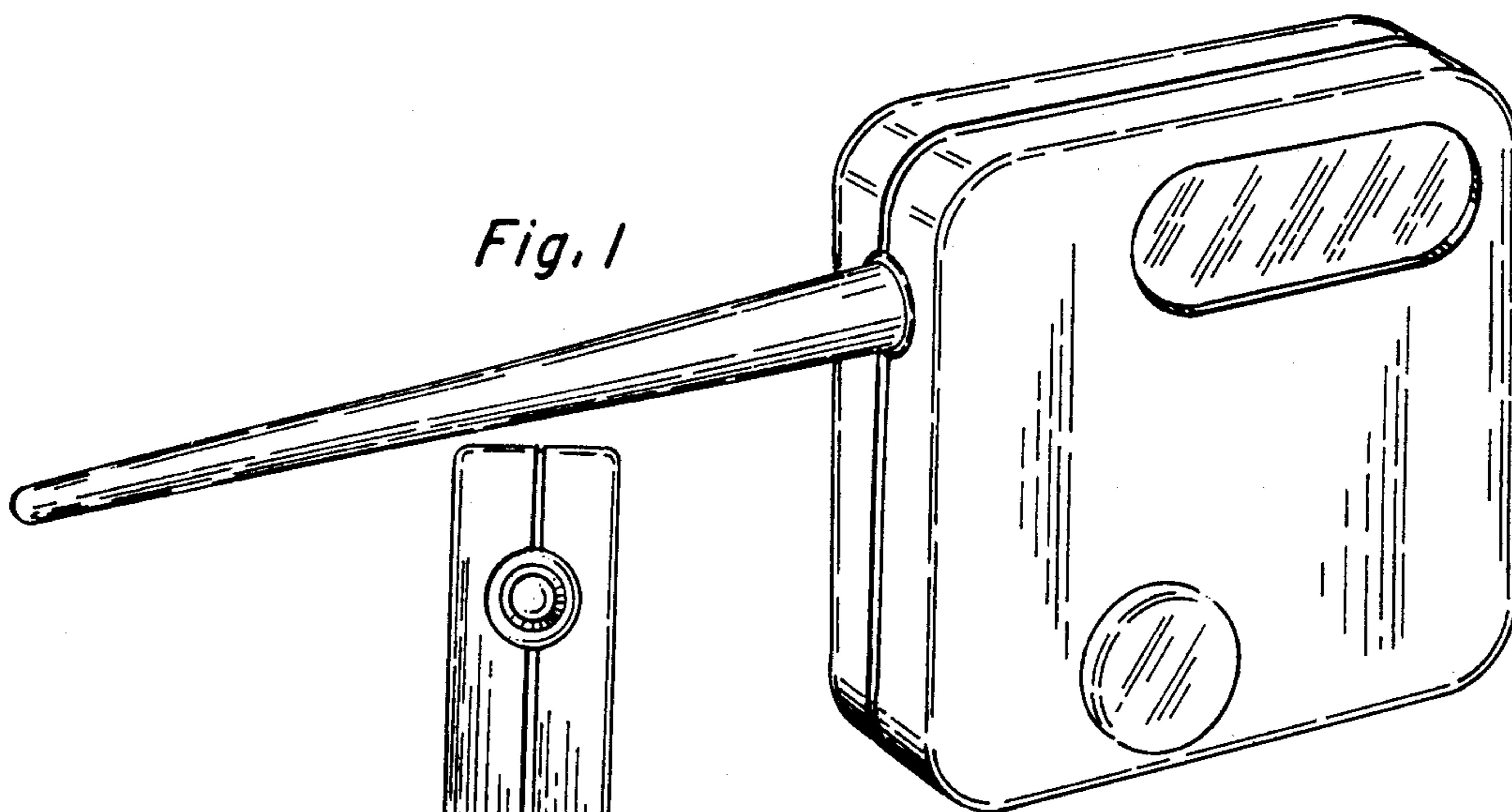


Fig. 1

Fig. 3

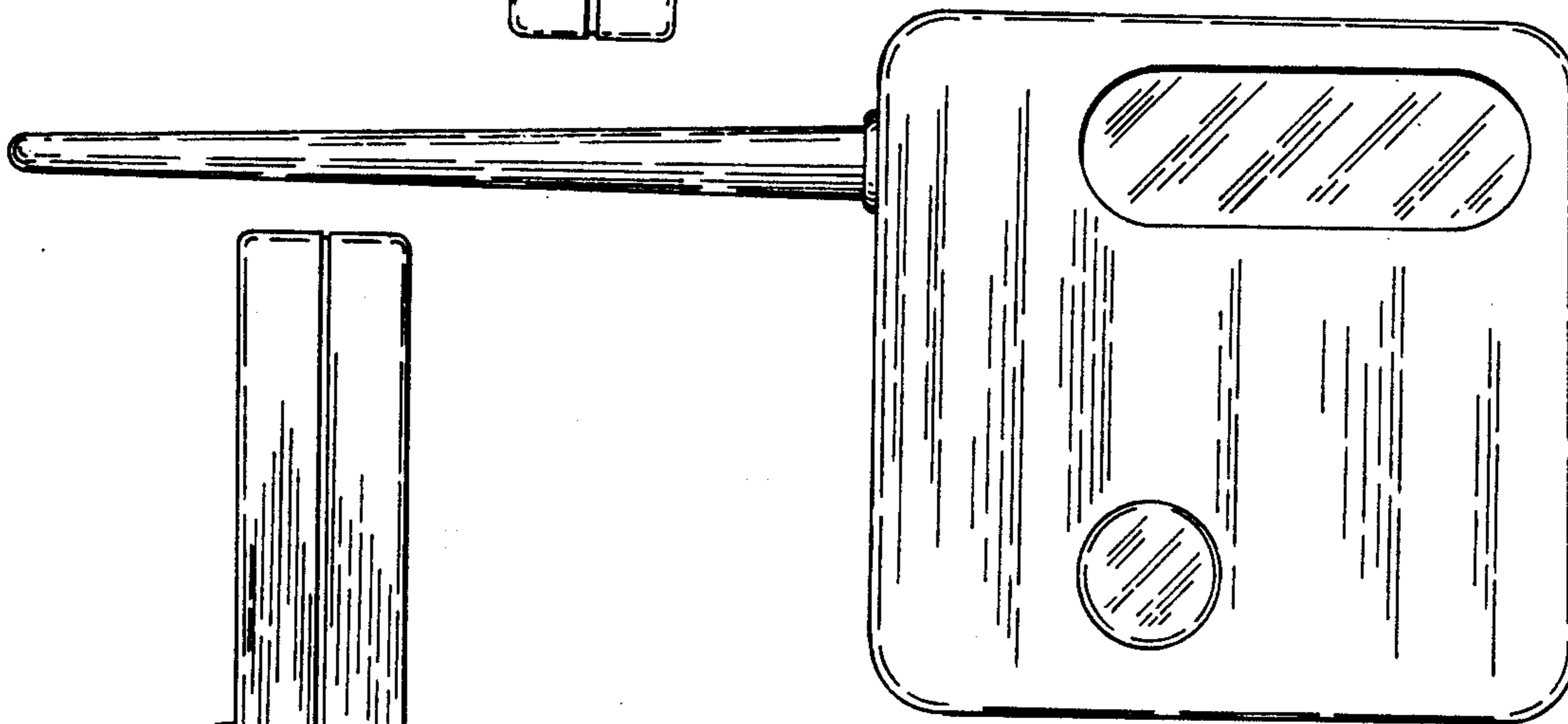


Fig. 4

Fig. 5

