

[54] BOTTLE

[75] Inventor: Edward J. Kretz, Toledo, Ohio

[73] Assignee: Owens-Illinois, Inc.

[**] Term: 14 Years

[21] Appl. No.: 853,143

[22] Filed: Nov. 18, 1977

[51] Int. Cl. D9-01

[52] U.S. Cl. D9/143

[58] Field of Search D9/59, 60, 143, 144,
D9/167, 168; 215/1 R, 1 C, 10

[56] References Cited

U.S. PATENT DOCUMENTS

D. 178,213	7/1956	Schwartz	D9/167
D. 192,826	5/1962	DuPree	D9/144
D. 207,745	5/1967	Linn	D9/60

D. 237,253	10/1975	Schweizer	D9/143 X
D. 249,464	9/1978	Smali	D9/167 X
3,323,668	6/1967	Hills	215/10

Primary Examiner—Robert C. Spangler
Attorney, Agent, or Firm—Charles S. Lynch

[57] CLAIM

The ornamental design for a bottle, substantially as shown and described.

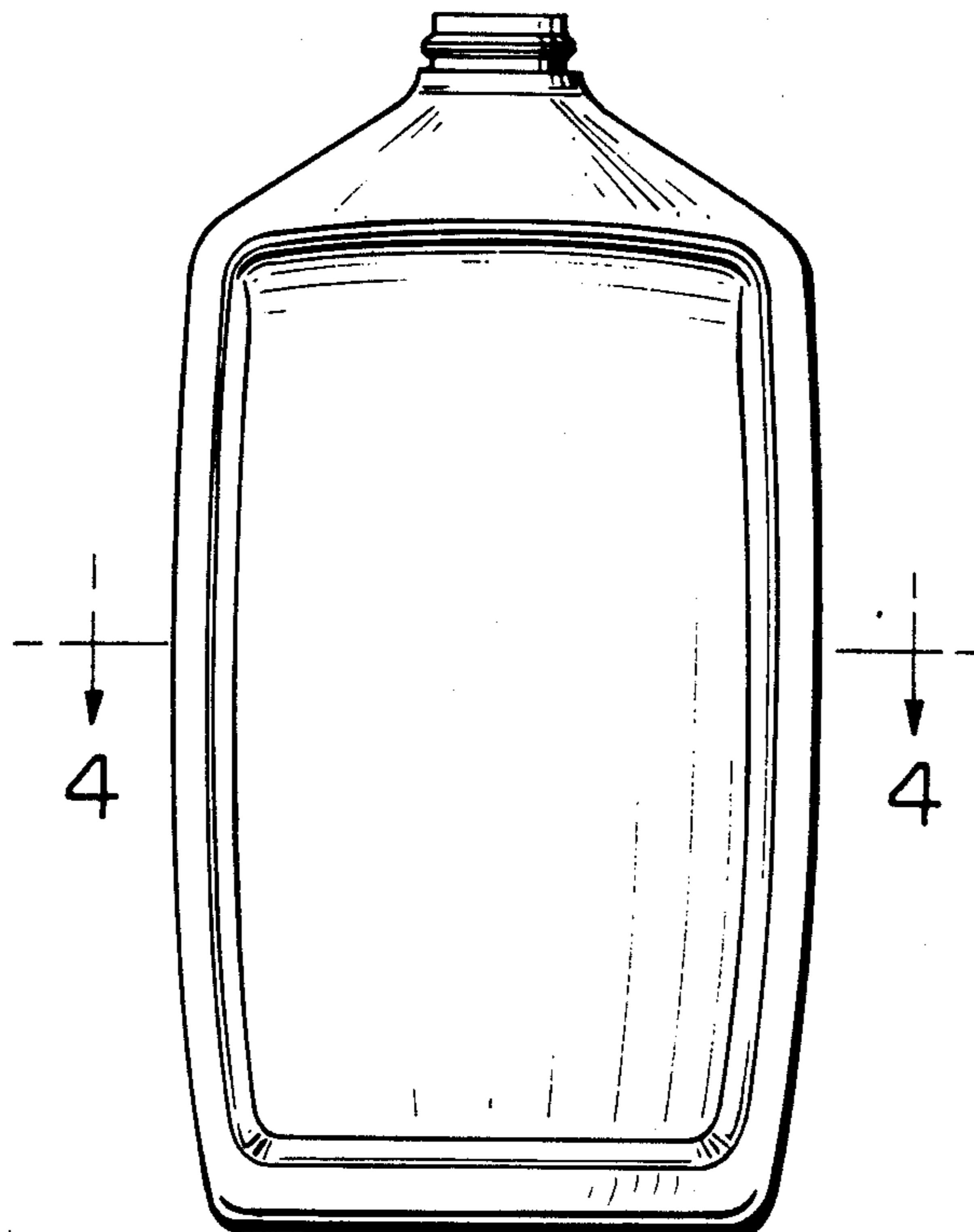
DESCRIPTION

FIG. 1 is an elevational view of a bottle showing my new design, the opposite side being the same in appearance;

FIG. 2 is a top plan view;

FIG. 3 is an elevational view looking from the right of FIG. 1, the opposite side being the same in appearance;

and
FIG. 4 is a sectional view taken on the line 4—4 of FIG. 1.



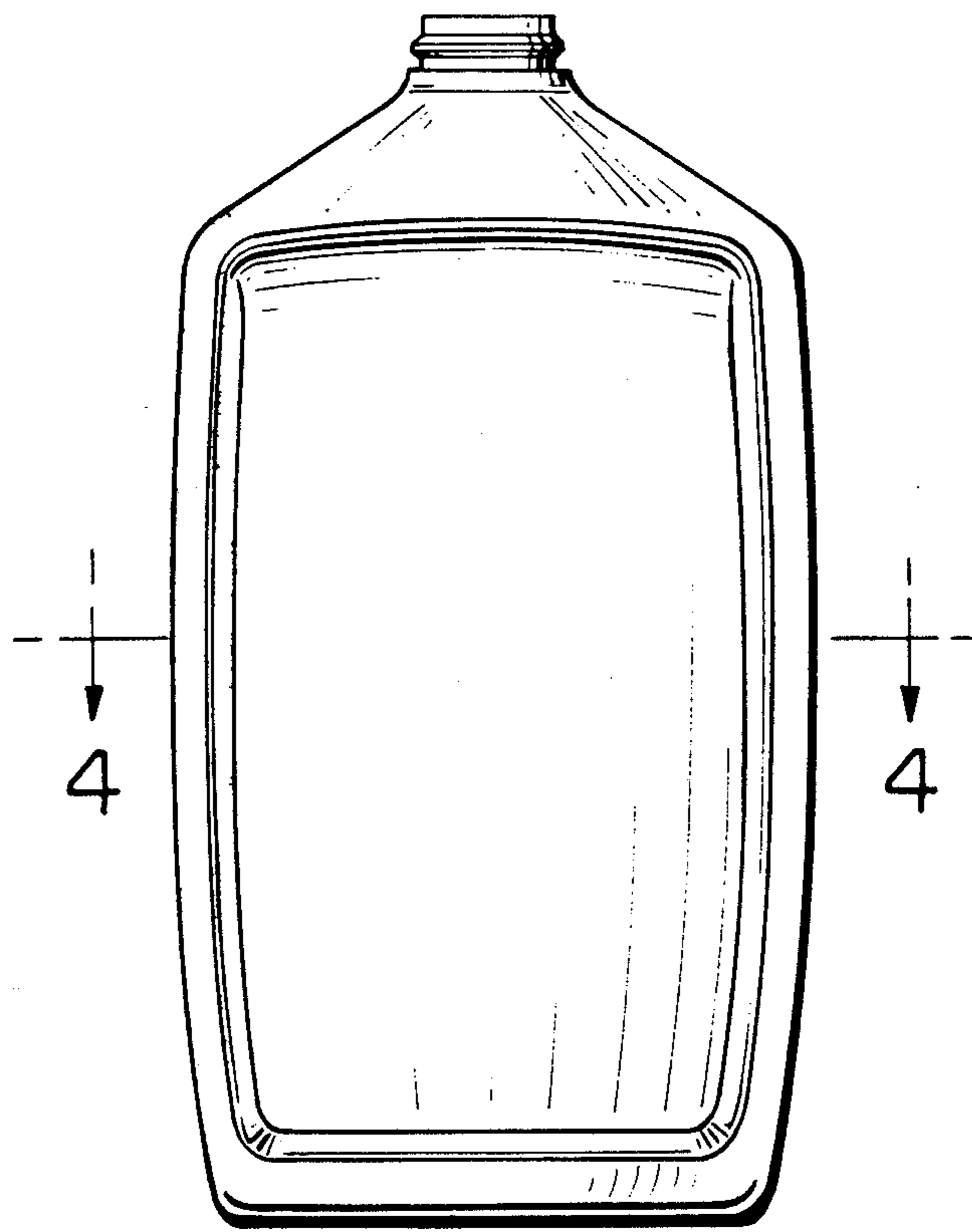


FIG. 1

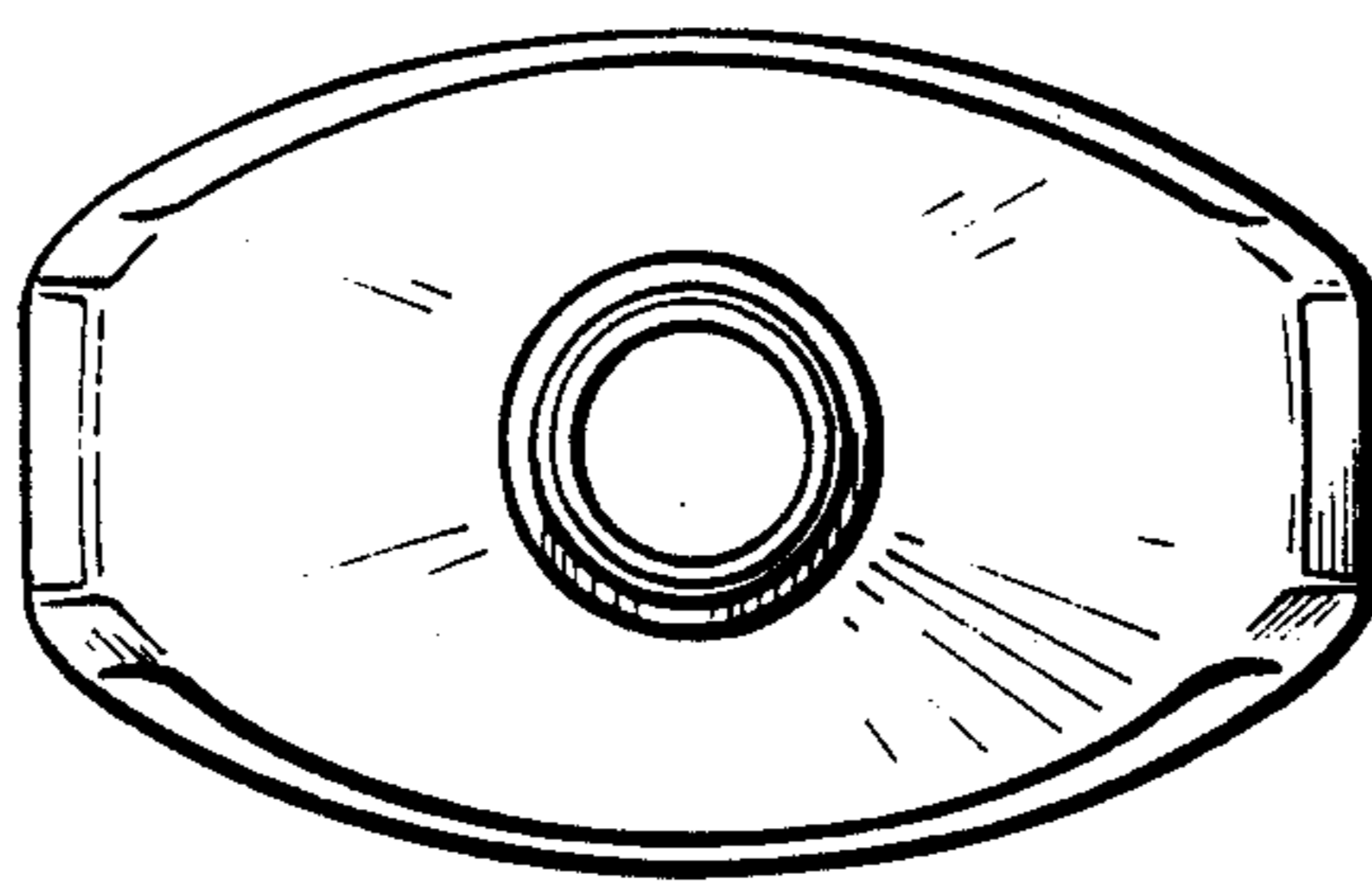


FIG. 2

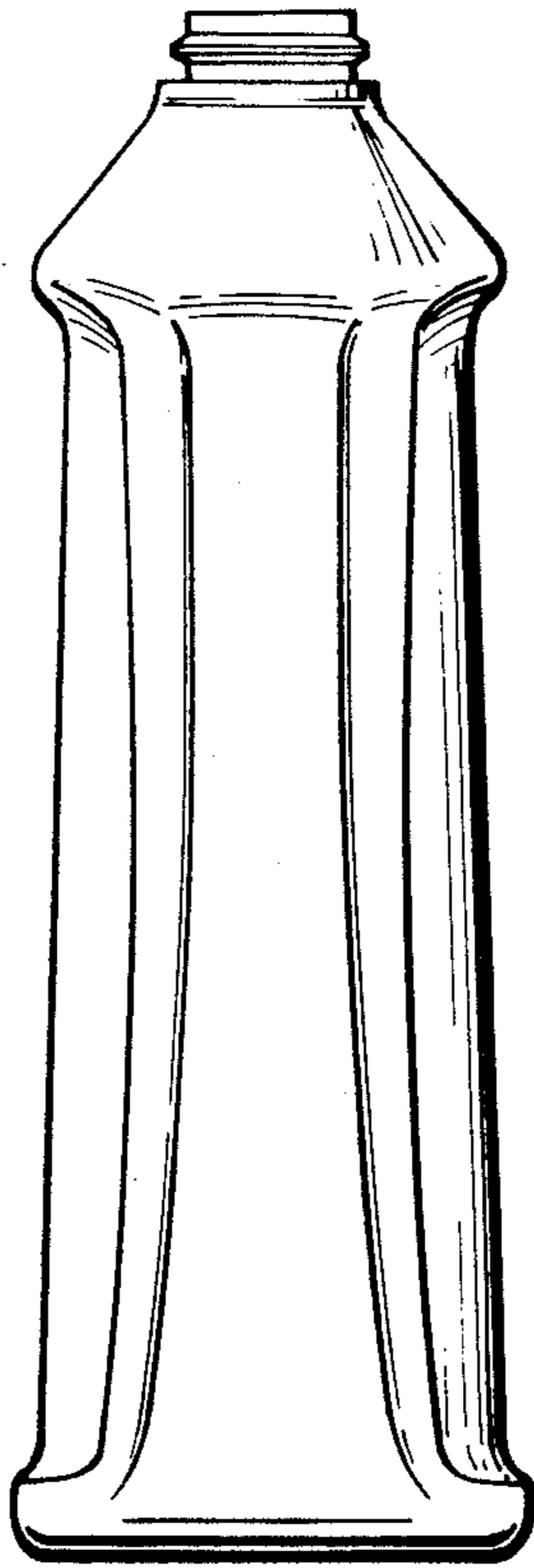


FIG. 3

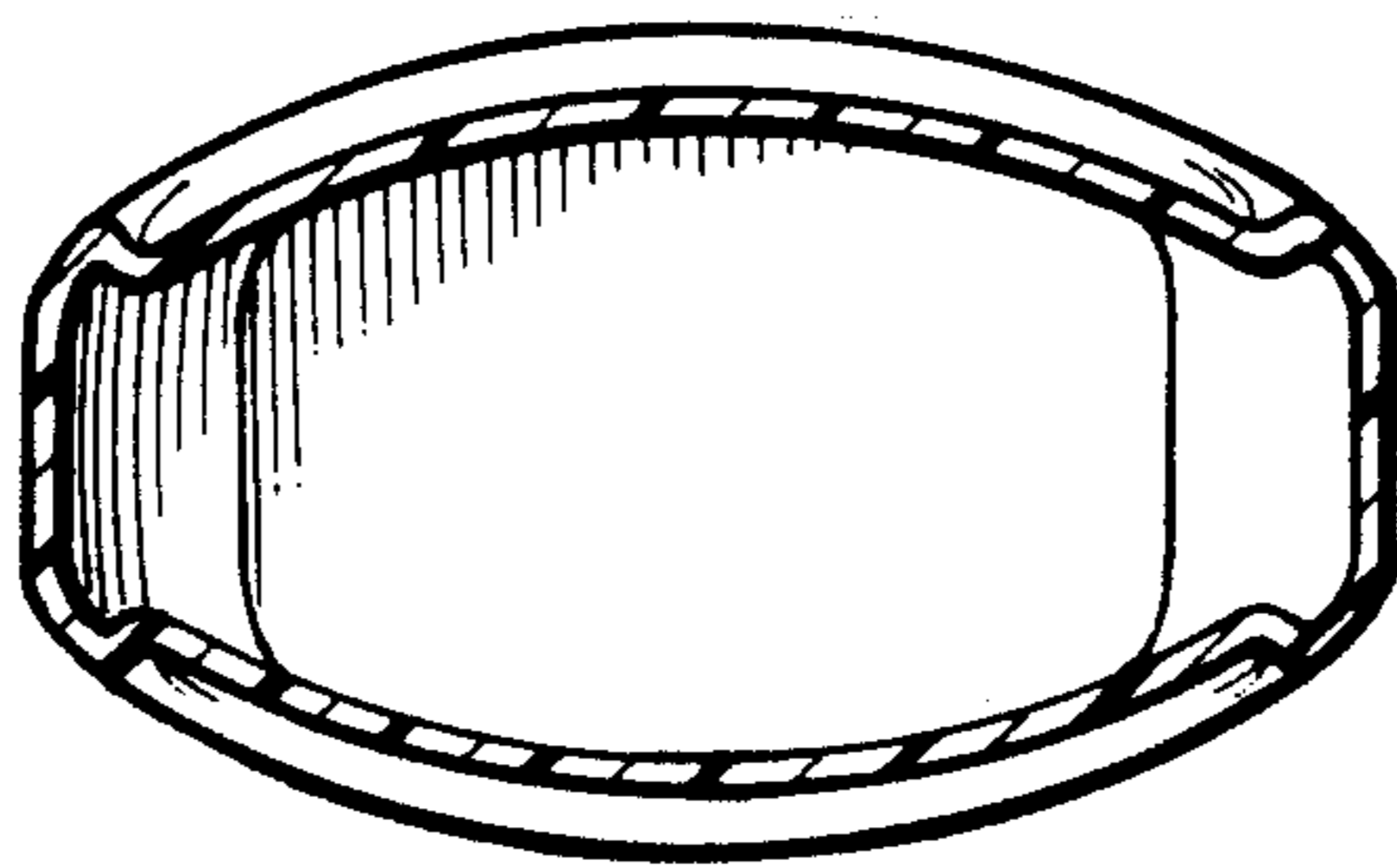


FIG. 4