

[54] **LATCHING HANDLE FOR A VENT**

[75] **Inventor:** Elwood W. Buck, Jr., Pasadena, Calif.

[73] **Assignee:** D G Shelter Products Company, City of Industry, Calif.

[\*\*] **Term:** 14 Years

[21] **Appl. No.:** 807,822

[22] **Filed:** Jun. 20, 1977

[51] **Int. Cl.** ..... D8-06

[52] **U.S. Cl.** ..... D8/302; D8/306; D8/308; D8/319

[58] **Field of Search** ..... D23/139-167; D8/302, 306, 308, 319; 292/263, 92, 218, DIG. 5

[56] **References Cited**

**U.S. PATENT DOCUMENTS**

D. 175,765	10/1955	Fink	.....	D8/319
D. 179,940	3/1957	Gullikser	.....	D8/319
D. 183,771	10/1958	Schwind	.....	D8/319
D. 203,581	1/1966	Crowley	.....	D8/319

D. 221,509	8/1971	Leland	.....	D8/319
D. 236,348	8/1975	Schimanski	.....	D23/149 X
1,746,556	2/1930	Preston	.....	292/263 X
2,475,131	7/1949	Edwards et al.	.....	292/263
2,745,692	5/1956	Persson	.....	292/263
4,067,605	1/1978	Green	.....	292/263 X

*Primary Examiner*—James R. Largen  
*Attorney, Agent, or Firm*—Poms, Smith, Lande & Rose

[57] **CLAIM**

The ornamental design for a latching handle for a vent, as shown and described.

**DESCRIPTION**

FIG. 1 is a perspective view of a latching handle for a vent embodying my new design;

FIG. 2 is a side elevational view thereof, the opposite side being a mirror image of the side shown;

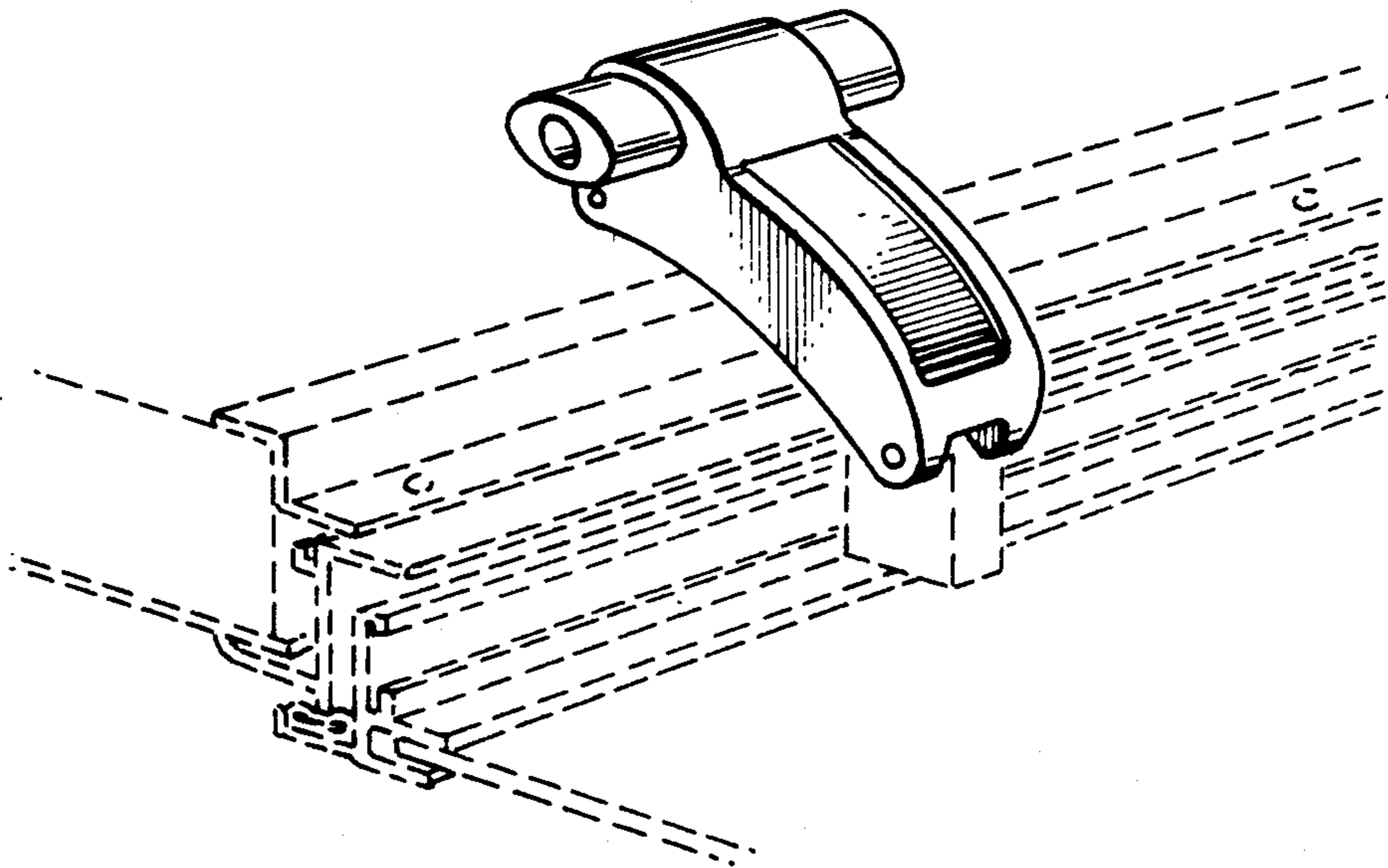
FIG. 3 is a top plan view of FIG. 2;

FIG. 4 is a rear elevational view of FIG. 2;

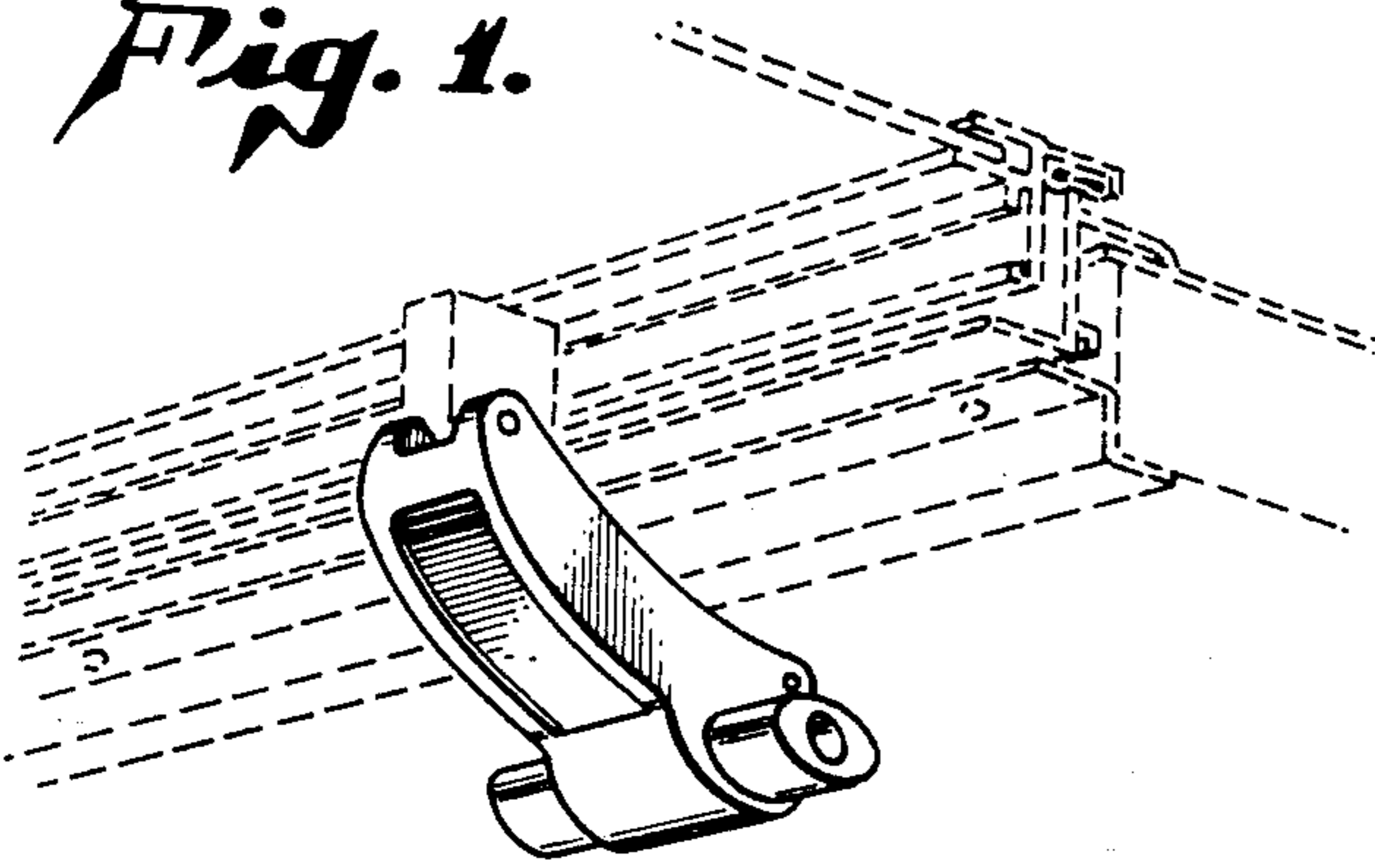
FIG. 5 is a bottom plan view of FIG. 2; and

FIG. 6 is a perspective view of a modified form of the latching handle for a vent shown in FIG. 1.

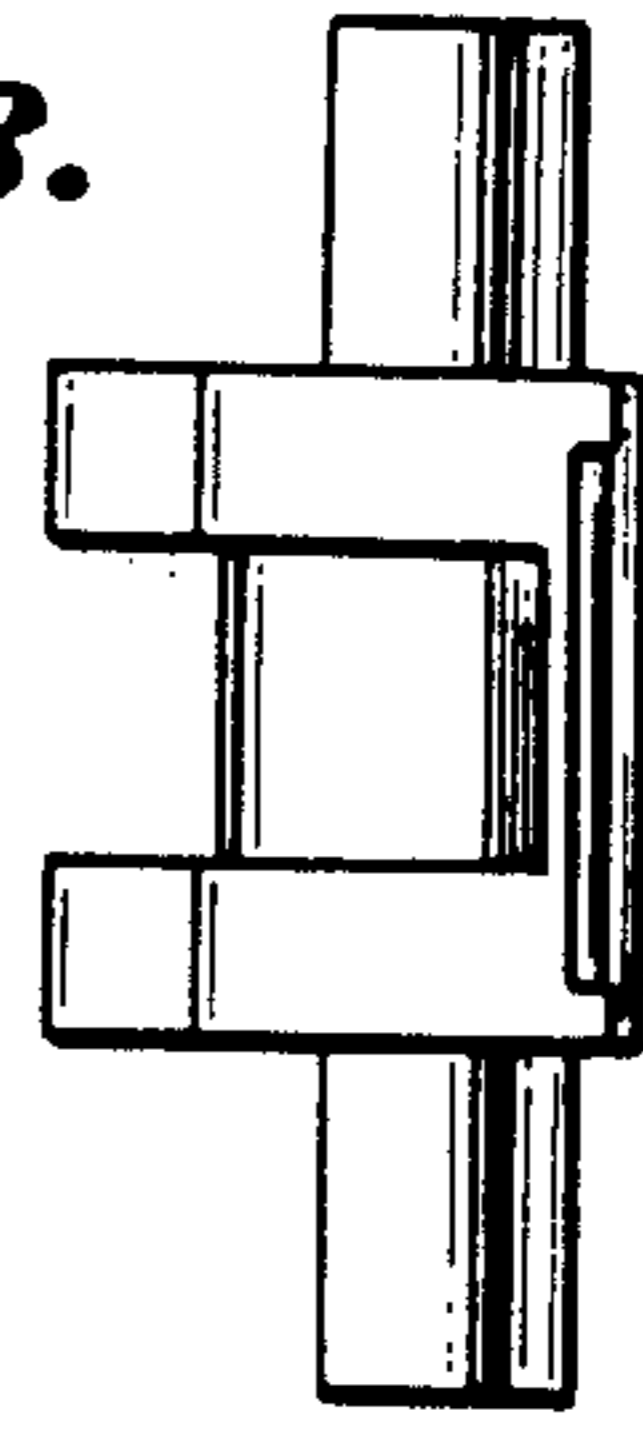
The fragmentary broken line representation of a vent in FIGS. 1 and 6 are for purposes of illustration only.



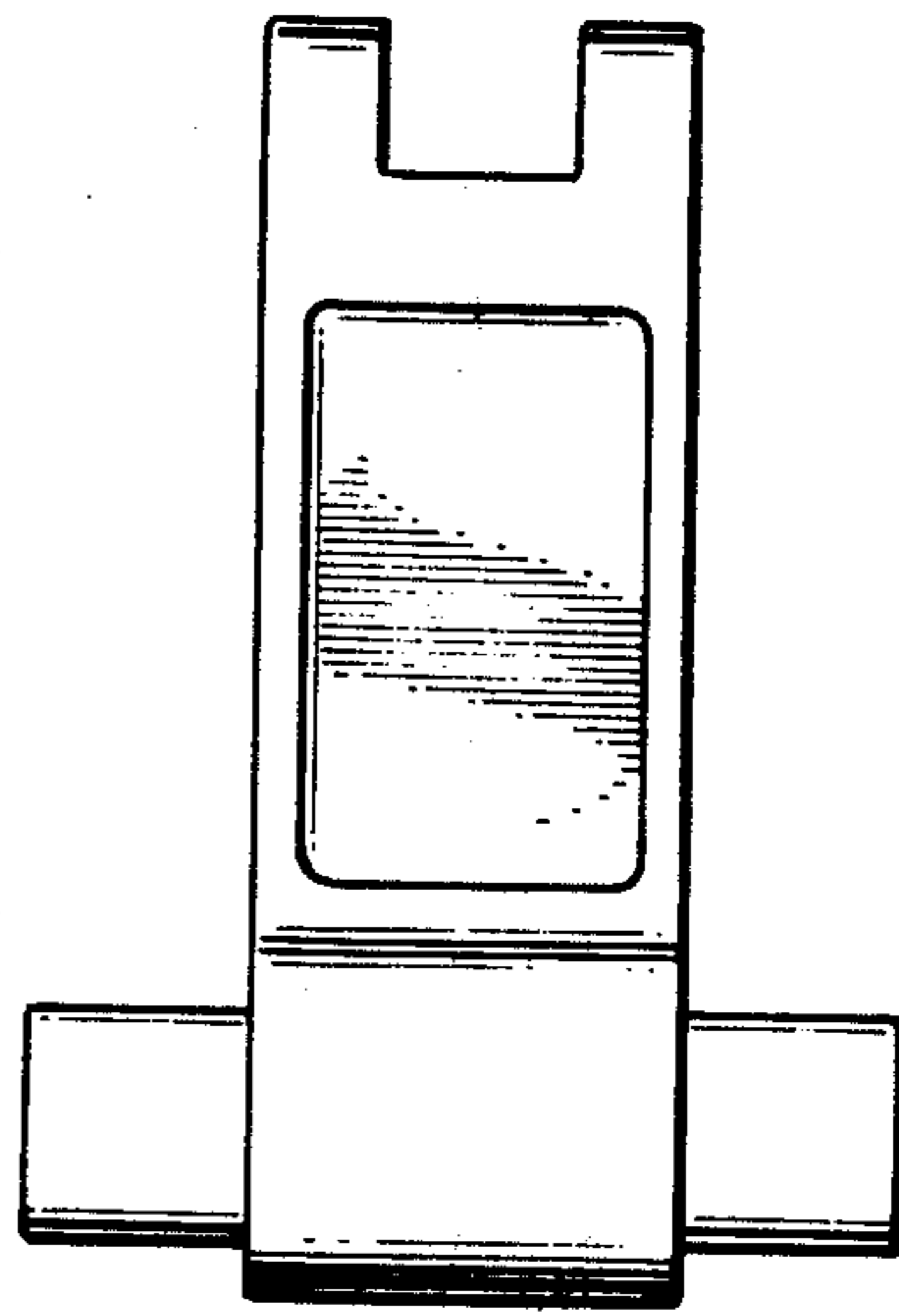
*Fig. 1.*



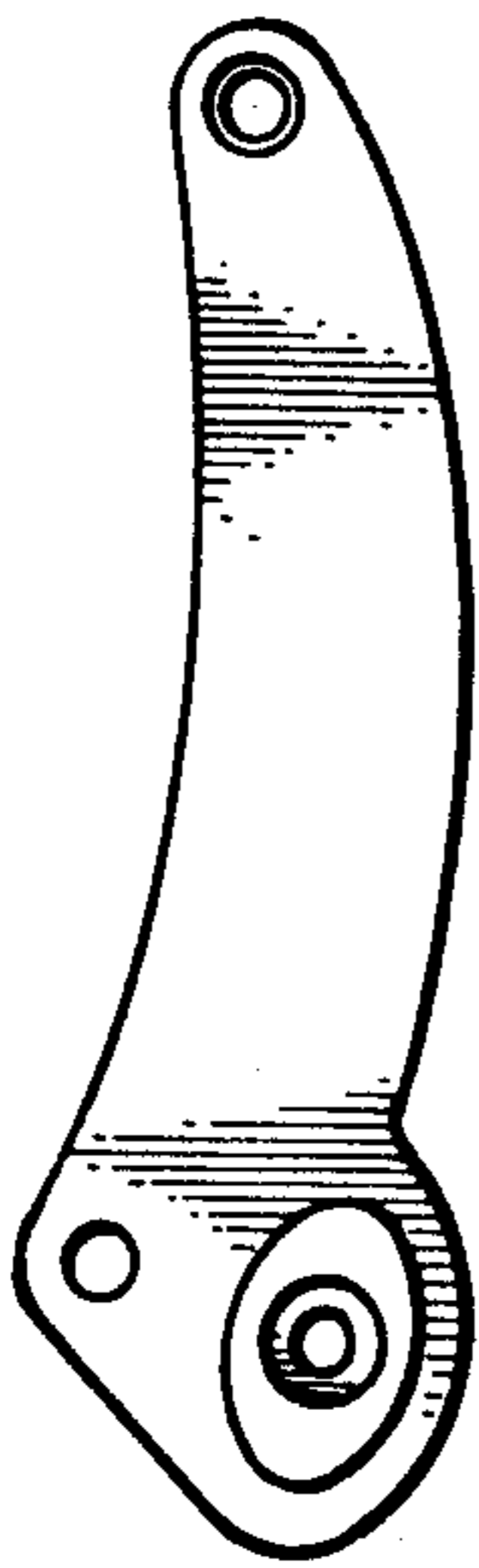
*Fig. 3.*



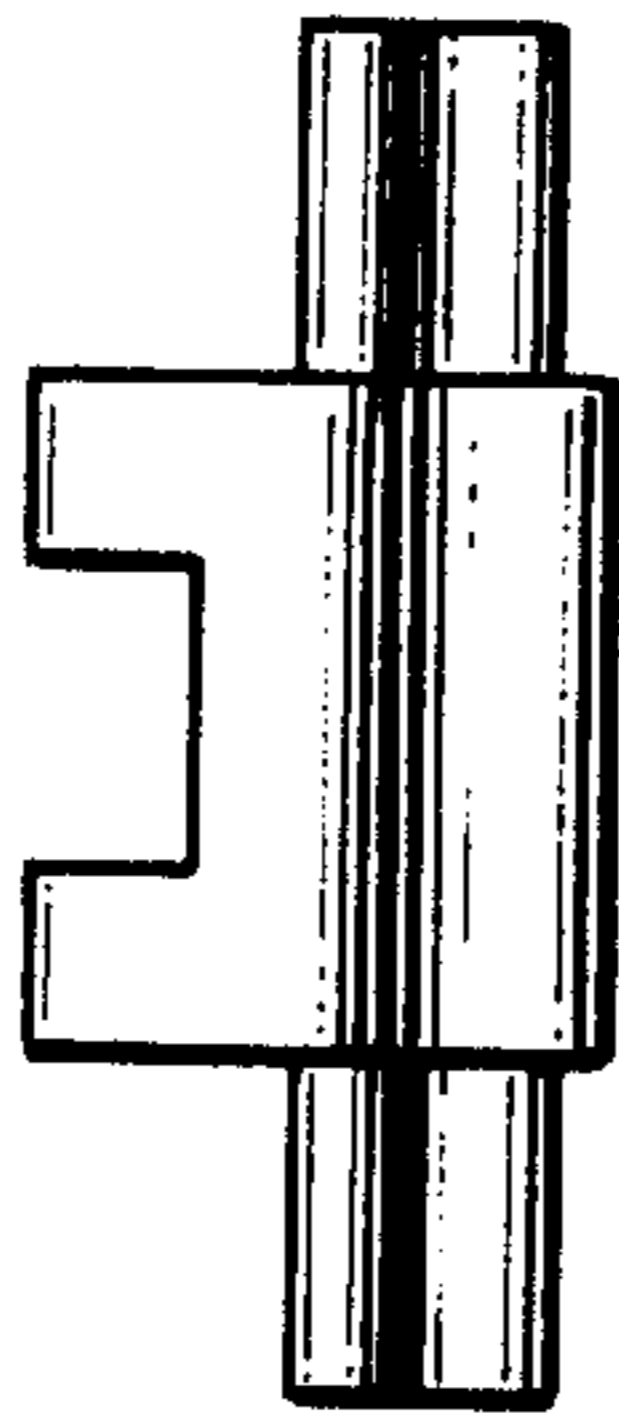
*Fig. 4.*



*Fig. 2.*



*Fig. 5.*



*Fig. 6.*

