

[54] PNEUMATIC POWER UNIT FOR SANDER

[75] Inventors: David P. Taylor, Ocean Ridge;
Donald P. Olander, Deerfield Beach,
both of Fla.

[73] Assignee: Florida Pneumatic Manufacturing
Corp., Boynton Beach, Fla.

[**] Term: 14 Years

[21] Appl. No.: 830,218

[22] Filed: Sep. 2, 1977

[51] Int. Cl. D8-02

[52] U.S. Cl. D8/62

[58] Field of Search D8/61-70,
D8/30; 173/169, 170; 51/170 R, 170 MT, 170
PT, 170 TL, 134.5

[56]

References Cited

U.S. PATENT DOCUMENTS

D. 222,229 10/1971 Schaedler D8/68
4,102,084 7/1978 Bloomquist 51/134.5 F

OTHER PUBLICATIONS

Rodac Industrial Air Tools; Cat. No. Rit. 75, Model
#8010.

Primary Examiner—Peter Feldman

Attorney, Agent, or Firm—Larson, Taylor and Hinds

[57]

CLAIM

The ornamental design for a pneumatic power unit for
sander, as shown.

DESCRIPTION

FIG. 1 is a side elevation of a pneumatic power unit for
sander;

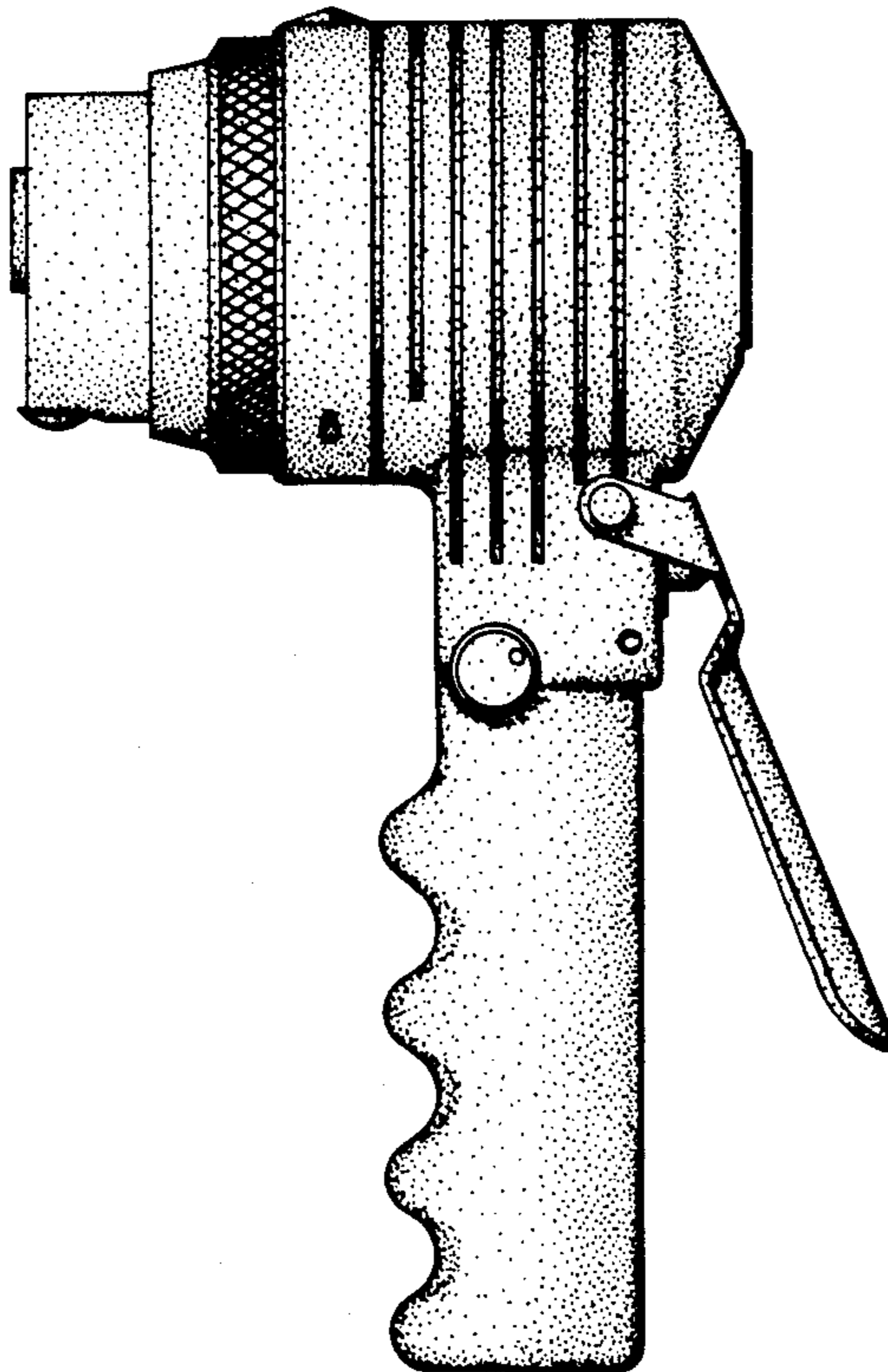
FIG. 2 is an end elevation;

FIG. 3 is an opposite end elevation;

FIG. 4 is the opposite side elevation;

FIG. 5 is a top plan view; and

FIG. 6 is a bottom plan view.



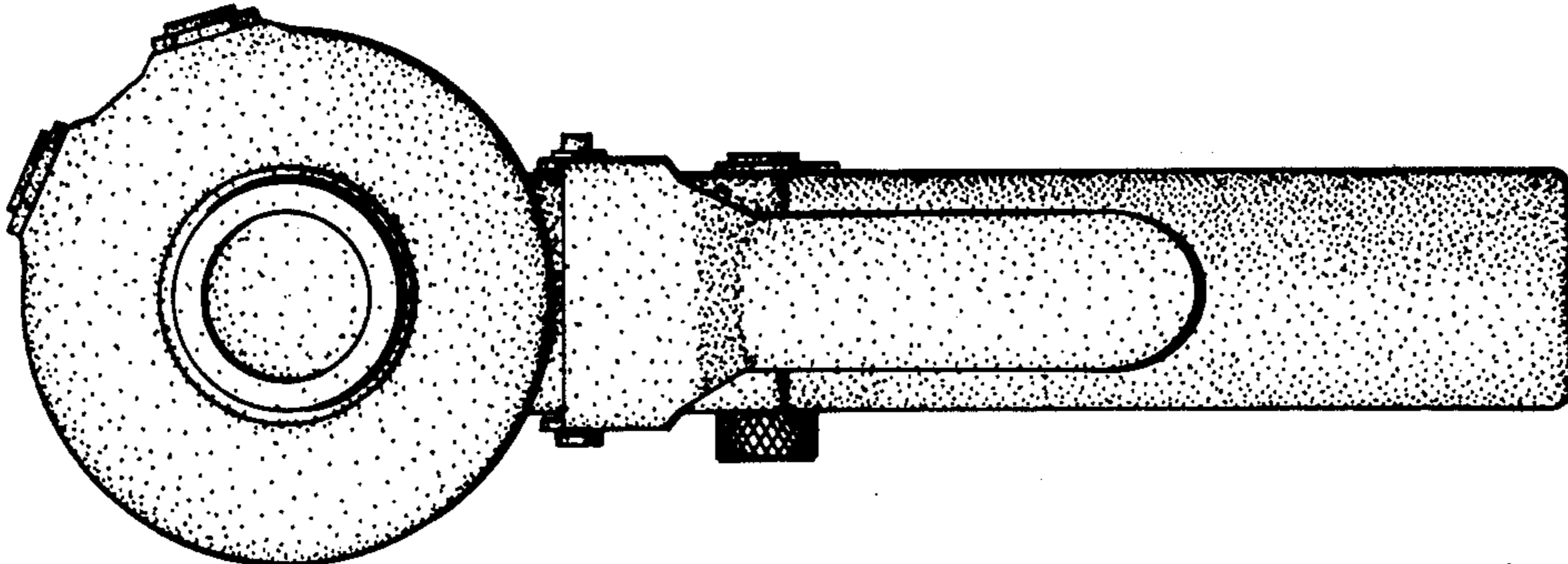


FIG. 3

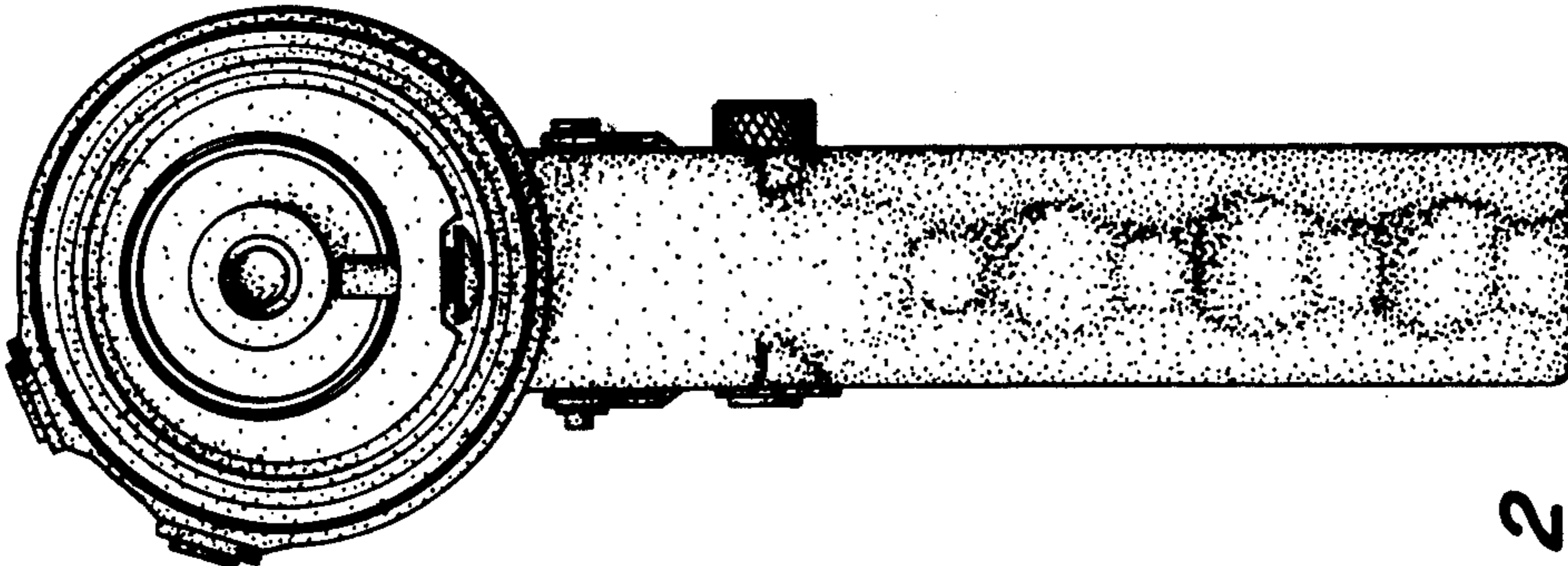


FIG. 2

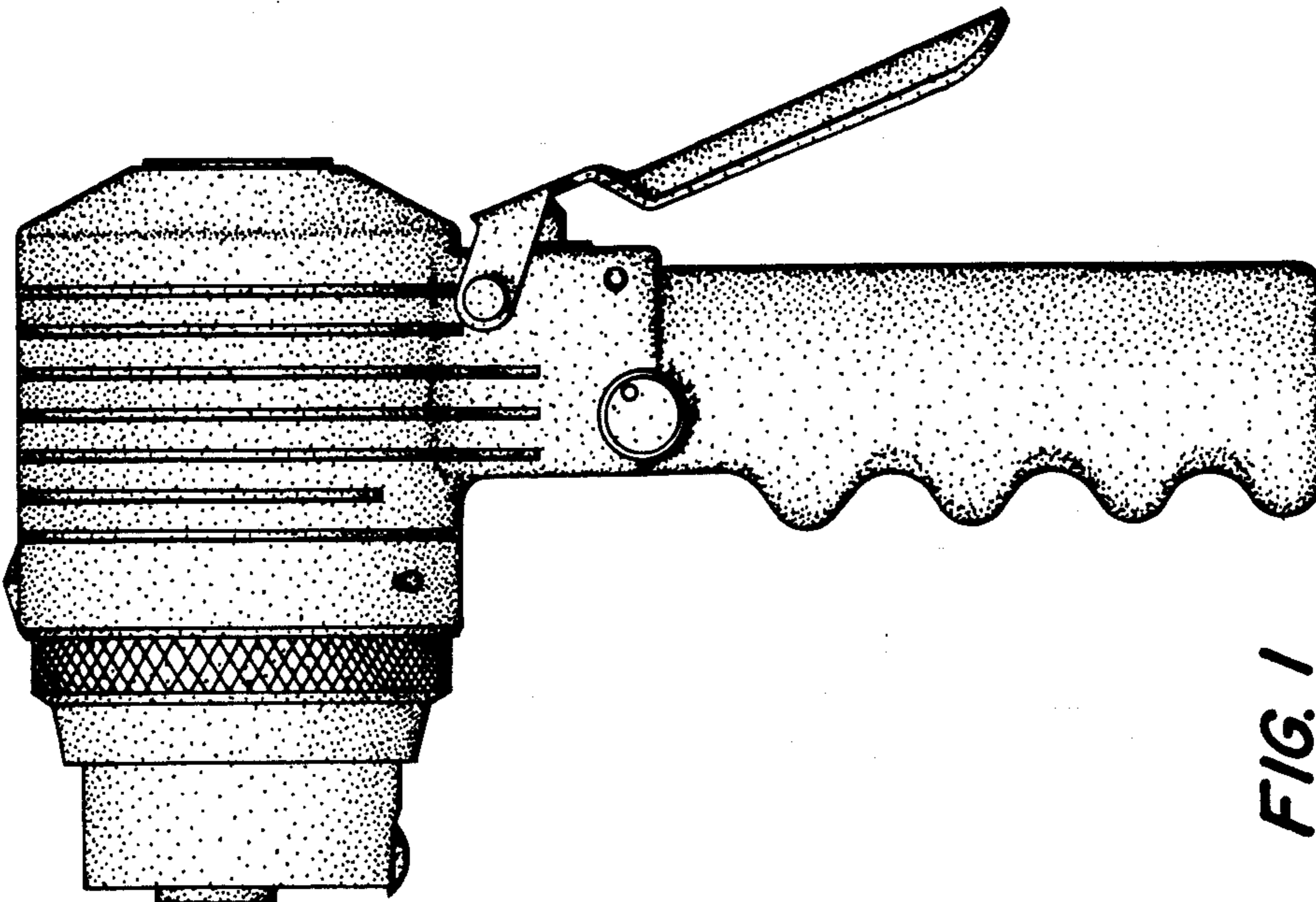


FIG. 1

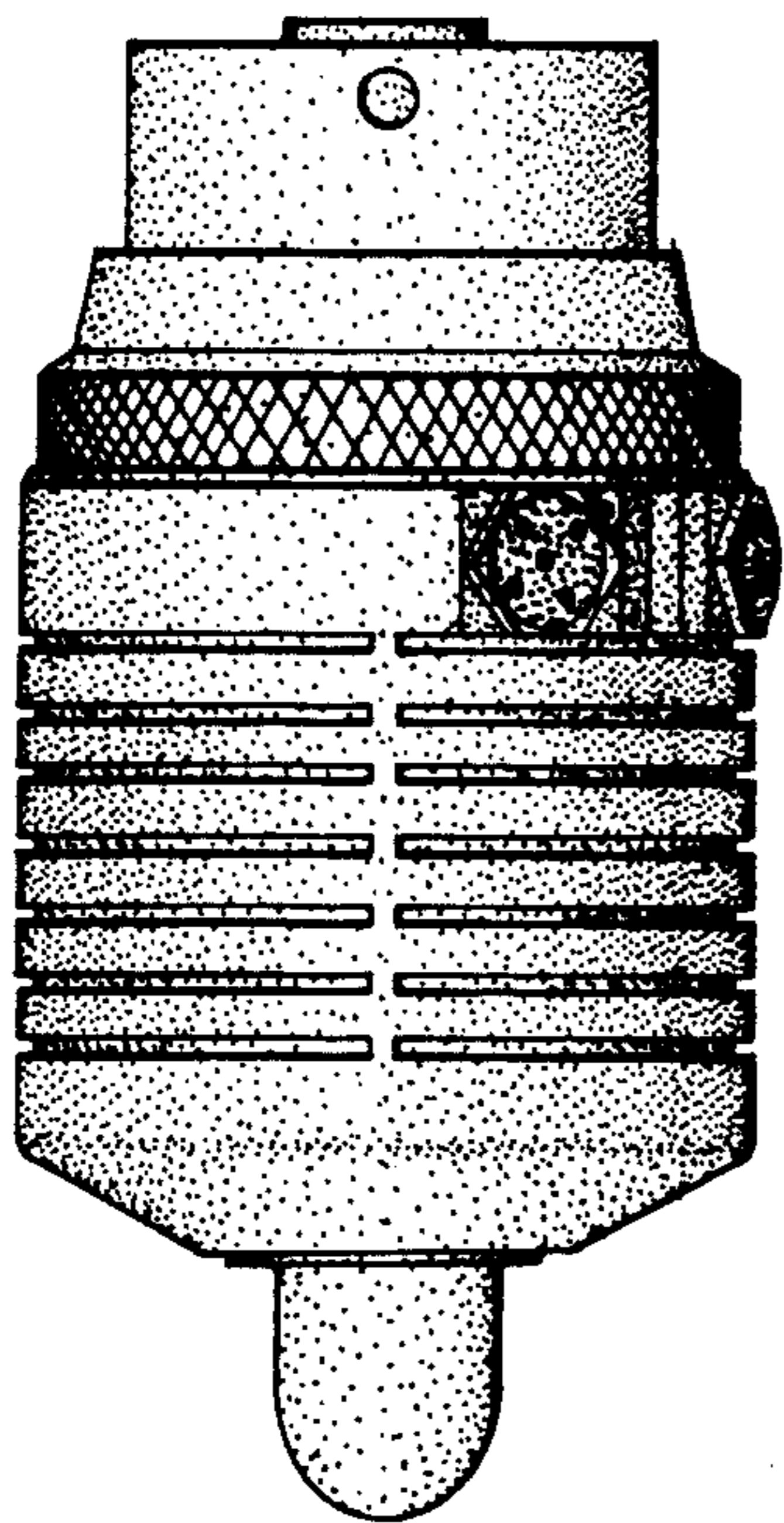


FIG. 5

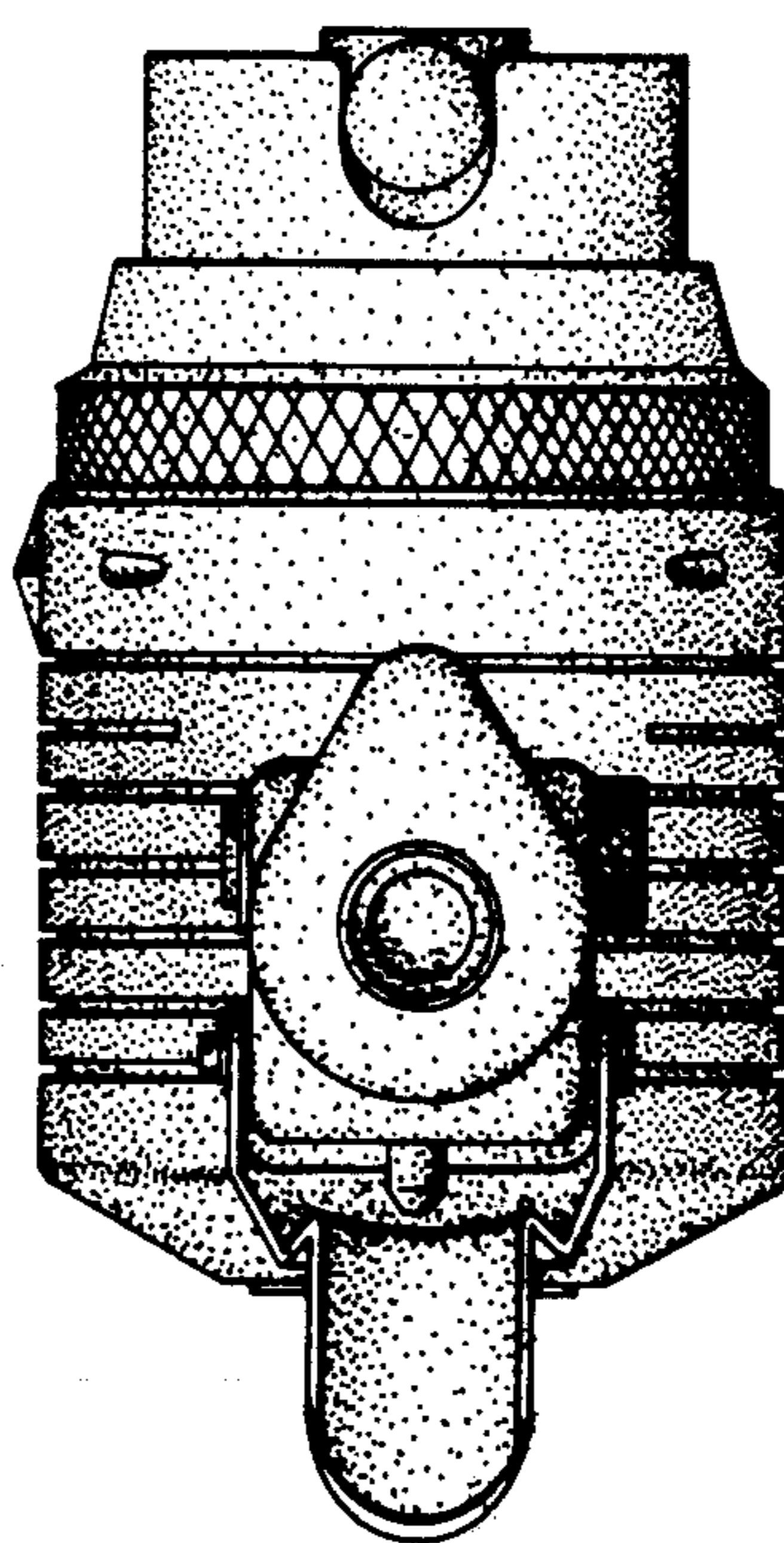


FIG. 6

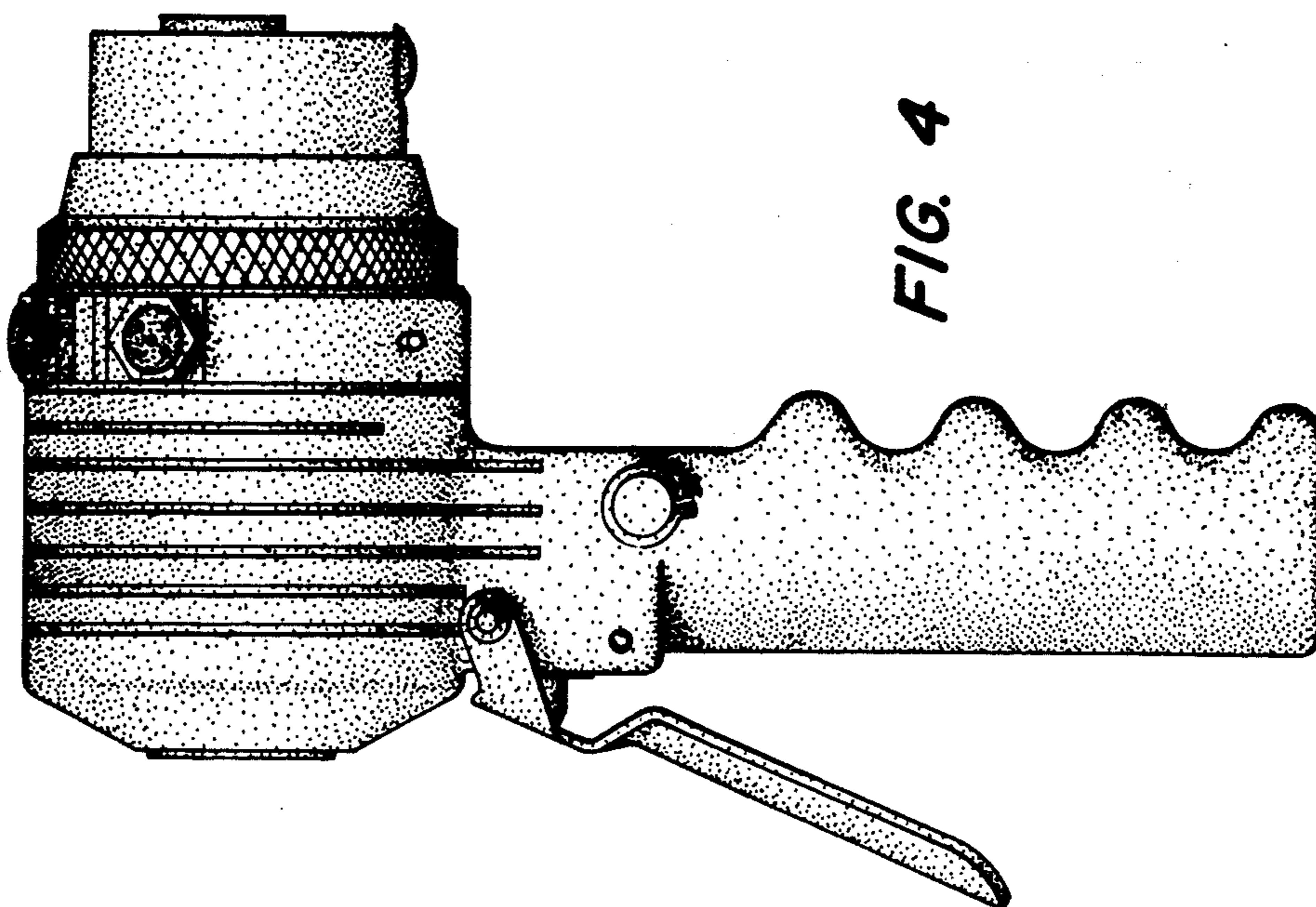


FIG. 4