

[54] FORK

[75] Inventor: Louis J. Christen, Jr., St. Louis, Mo.

[73] Assignee: Christen Incorporated, St. Louis, Mo.

[\*\*] Term: 14 Years

[21] Appl. No.: 885,092

[22] Filed: Mar. 9, 1978

[51] Int. Cl. .... D7-03

[52] U.S. Cl. .... D7/151; D7/106

[58] Field of Search ..... 30/322, 344, 324; 294/16; D7/99, 106, 104, 102, 151, 152, 105

[56] References Cited

U.S. PATENT DOCUMENTS

D. 1,681	12/1852	Russell	.....	D7/151
D. 211,819	7/1968	Connor et al.	.....	D7/104
2,873,522	2/1959	Homola	.....	D7/102 X

OTHER PUBLICATIONS

Tableware International, Aug. 1977, p. 40, Panel #3, top

right, "Patio", Stainless with Rosewood Handles, center fork.

Ekco 70th Anniversary Housewares Cat., ©1957, p. 122, 2-Tine Fork #3338 at top right.

Primary Examiner—Winifred E. Herrmann  
Attorney, Agent, or Firm—Ralph W. Kalish

[57] CLAIM

The ornamental design for a fork, as shown.

DESCRIPTION

FIG. 1 is a perspective view of a fork showing my new design.

FIG. 2 is a side elevational view thereof.

FIG. 3 is a bottom plan view.

FIG. 4 is an end elevational view from the right of FIG. 2; and

FIG. 5 is an end elevational view from the left of FIG. 2.

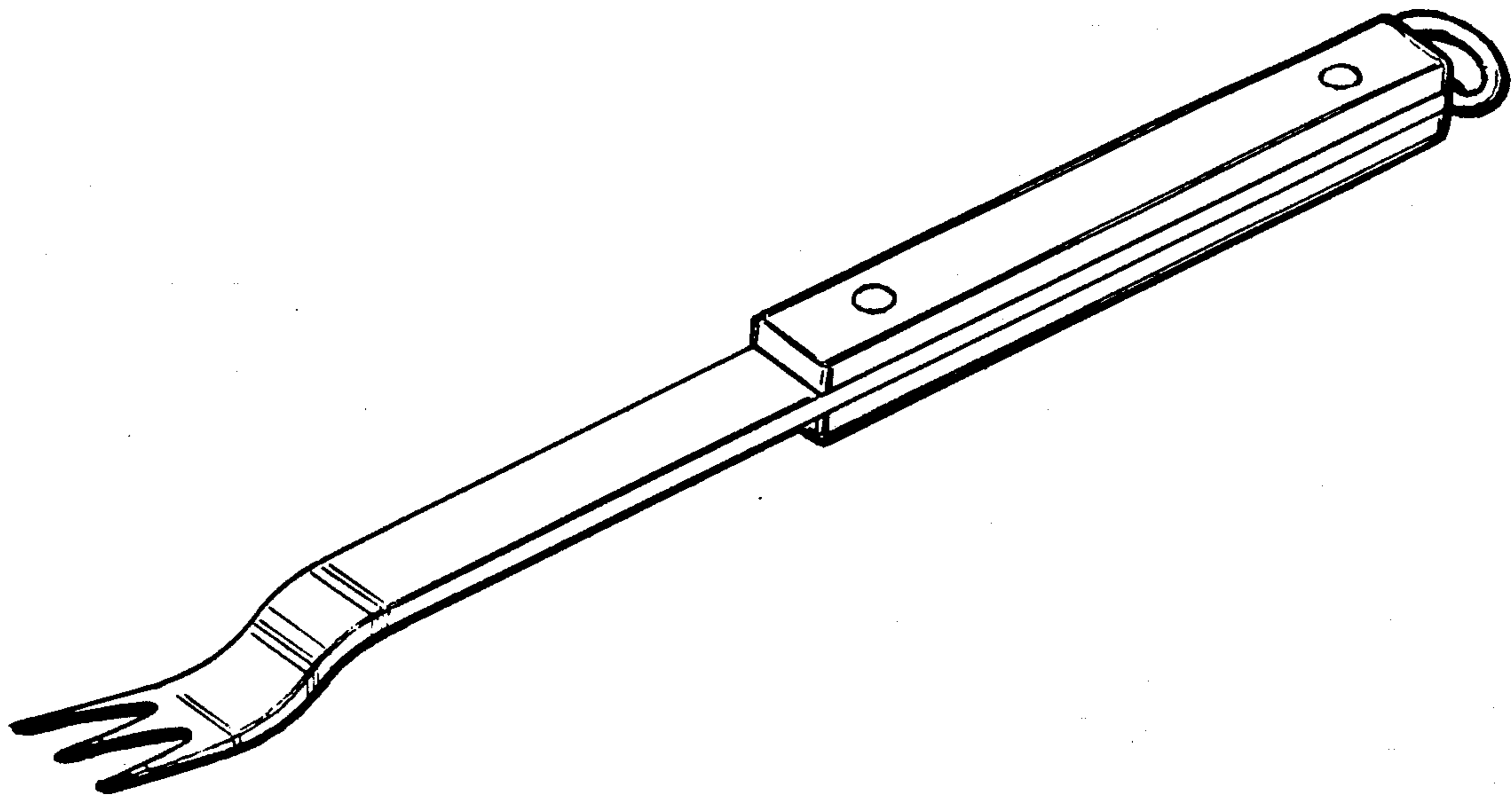


FIG. 1

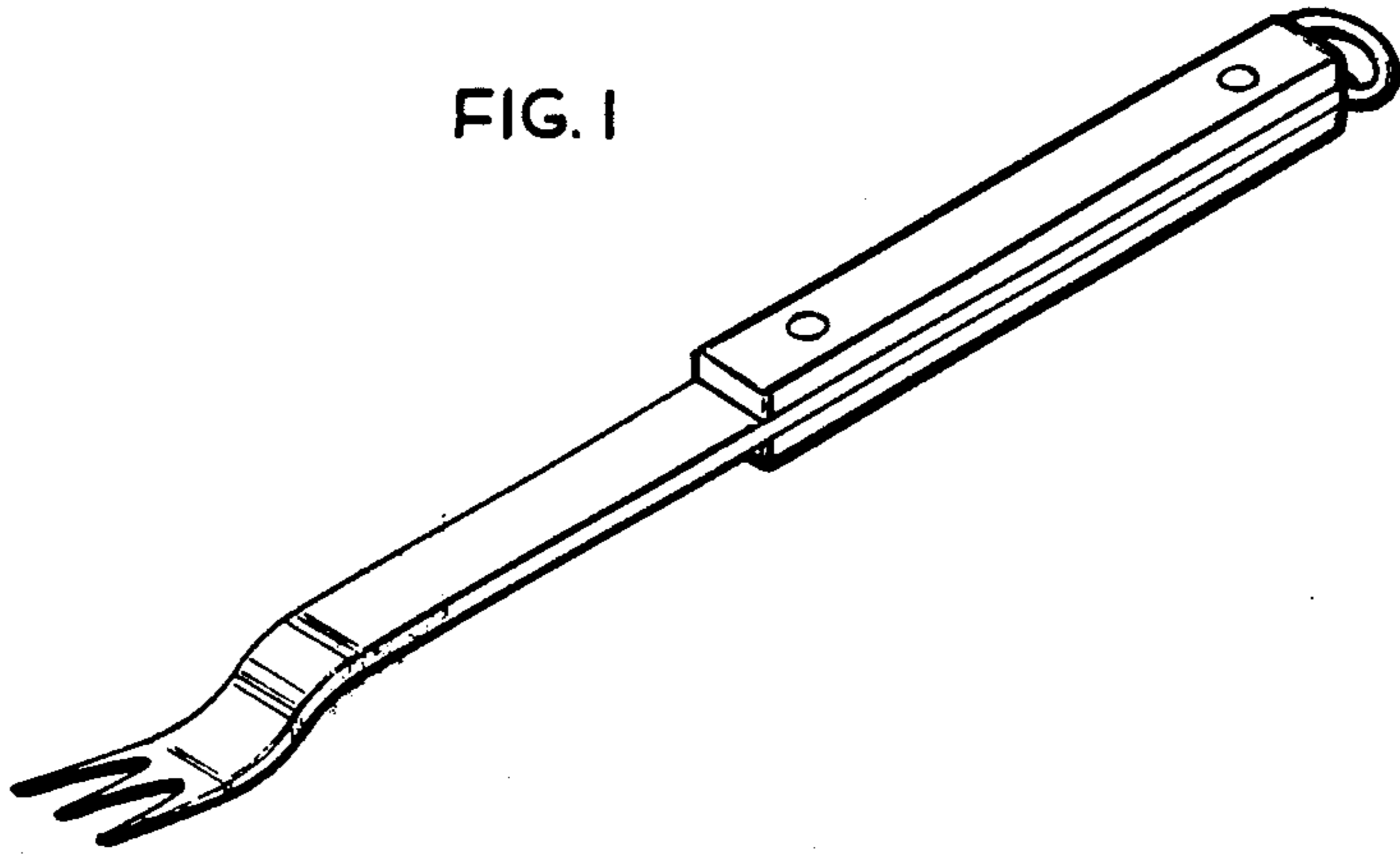


FIG. 2

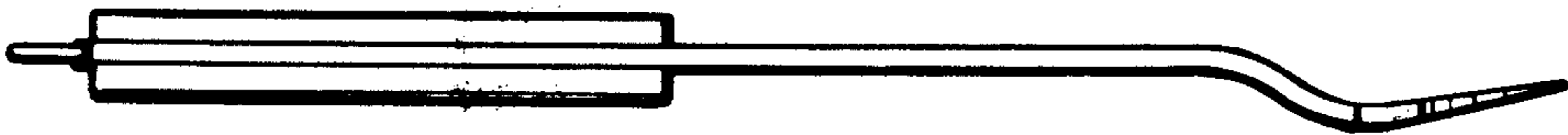


FIG. 3



FIG. 4



FIG. 5

