

[54] SEAT BELT BUCKLE

[75] Inventor: Paul J. Petlewski, Detroit, Mich.

[73] Assignee: General Motors Corporation, Detroit, Mich.

[\*\*] Term: 3 1/2 Years

[21] Appl. No.: 772,504

[22] Filed: Feb. 28, 1977

[51] Int. Cl. .... D2-07

[52] U.S. Cl. .... D2/408

[58] Field of Search ..... D2/408, 405; 24/163 R, 24/230 R, 230 A, 230 AK, 230 AC; 280/744, 745

[56] References Cited

U.S. PATENT DOCUMENTS

D. 215,196	9/1969	Partridge .....	D2/408
3,449,800	6/1969	Fisher .....	D2/408 X
3,600,768	8/1971	Romanzi .....	24/230 AK X
3,605,209	9/1971	Alarcon .....	24/230 A
3,774,268	11/1973	Holmberg .....	24/230 A

Primary Examiner—Nelson C. Holtje  
Attorney, Agent, or Firm—Charles E. Leahy

[57] CLAIM

The ornamental design for a seat belt buckle, substantially as shown and described.

DESCRIPTION

FIG. 1 is a top plan view of a seat belt buckle showing my new design;

FIG. 2 is a right side elevational view as taken from line 2—2 of FIG. 1;

FIG. 3 is a cross-sectional view as taken from line 3—3 of FIG. 1;

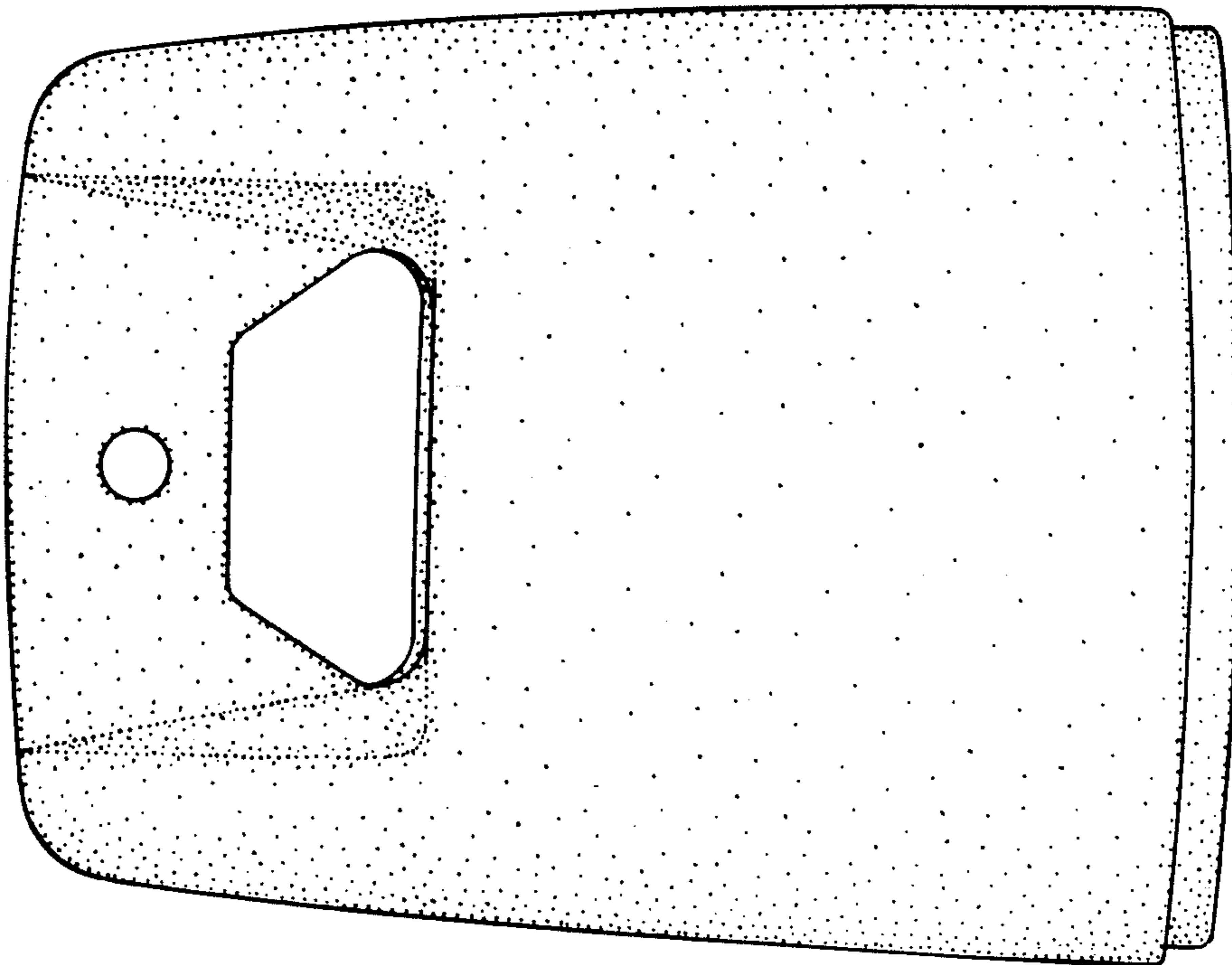
FIG. 4 is a cross-sectional view as taken from line 4—4 of FIG. 1;

FIG. 5 is a bottom plan view thereof;

FIG. 6 is a front edge elevational view thereof;

FIG. 7 is a top, rear, and right side perspective view thereof;

FIG. 8 is a top, rear, and right side perspective view of another embodiment of my design of FIGS. 1-7 wherein the metal trim ring has been omitted.



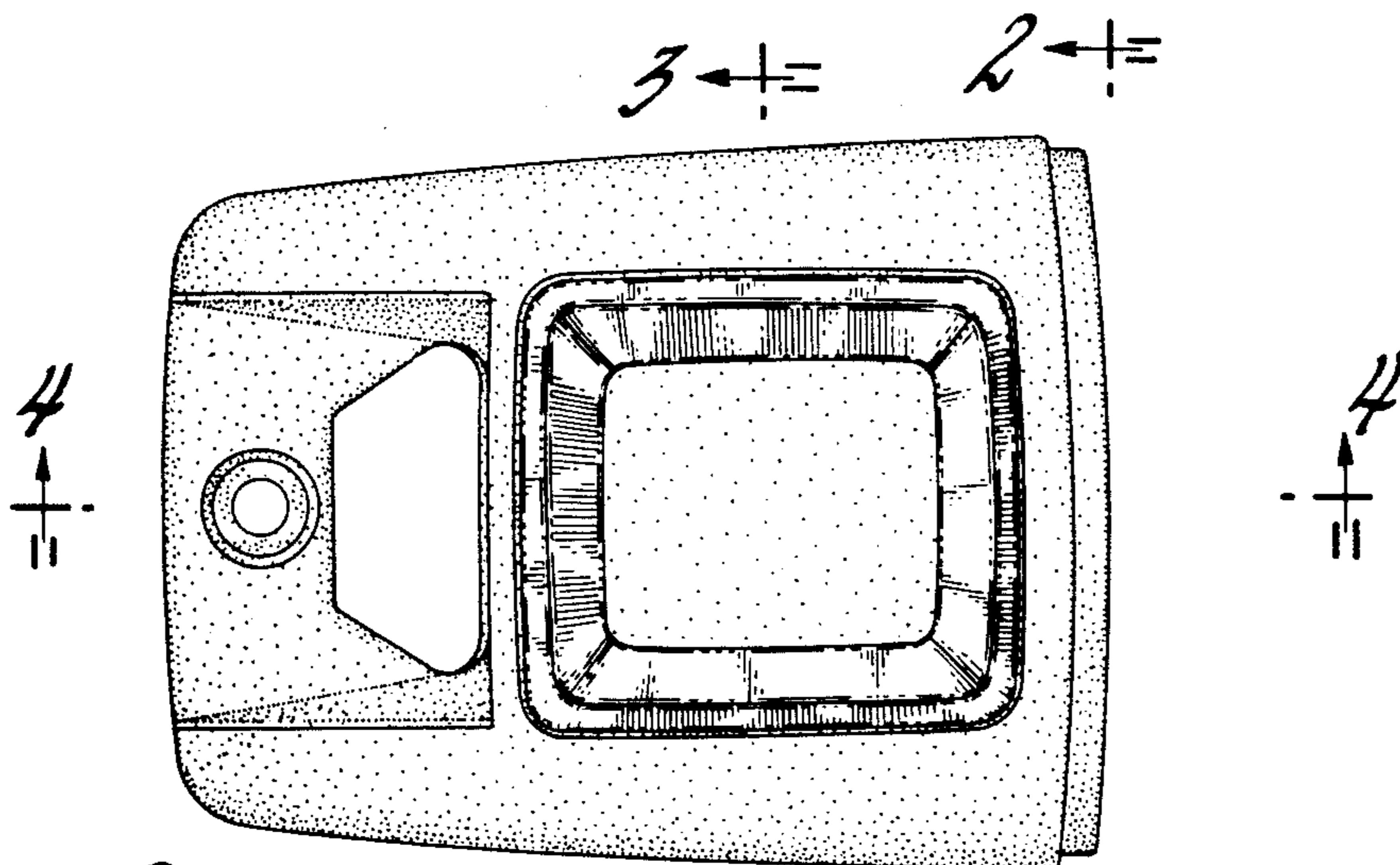


Fig. 1

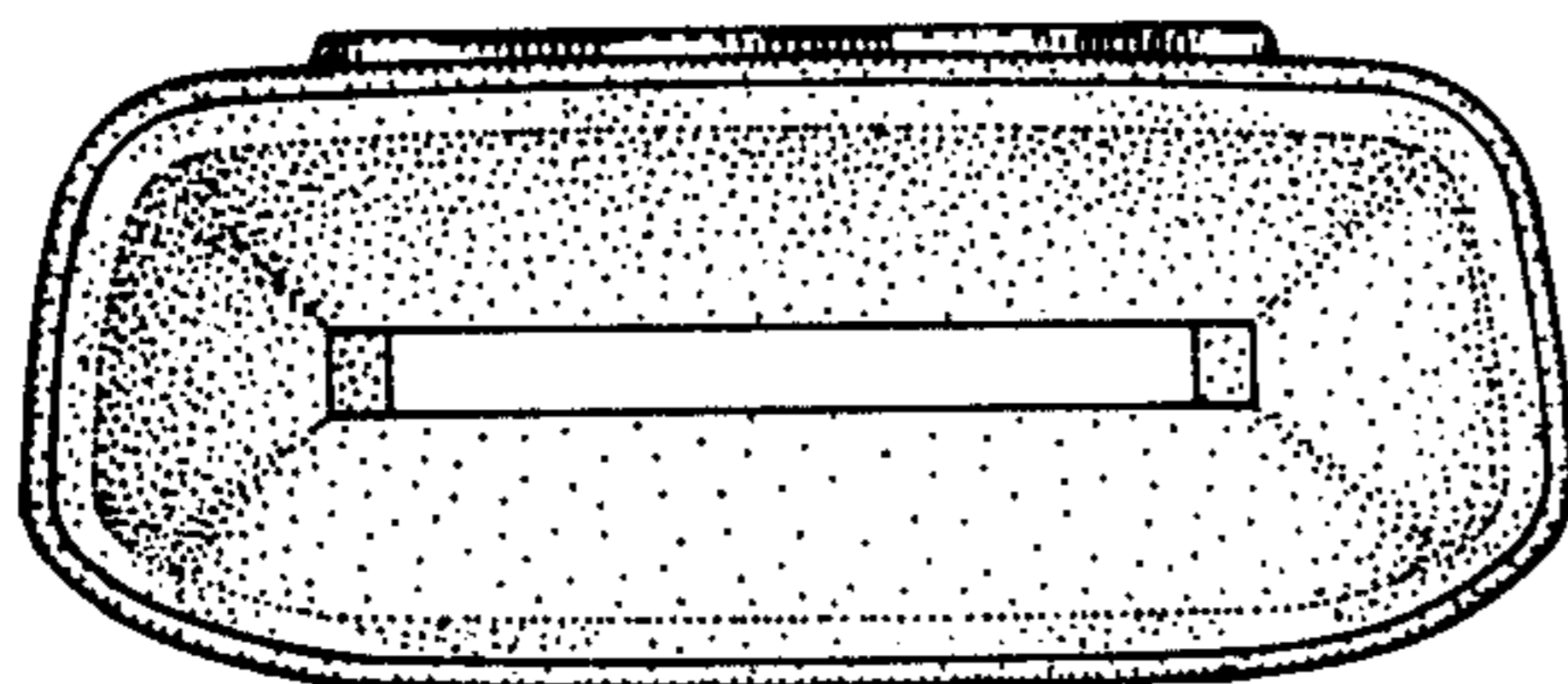


Fig. 2

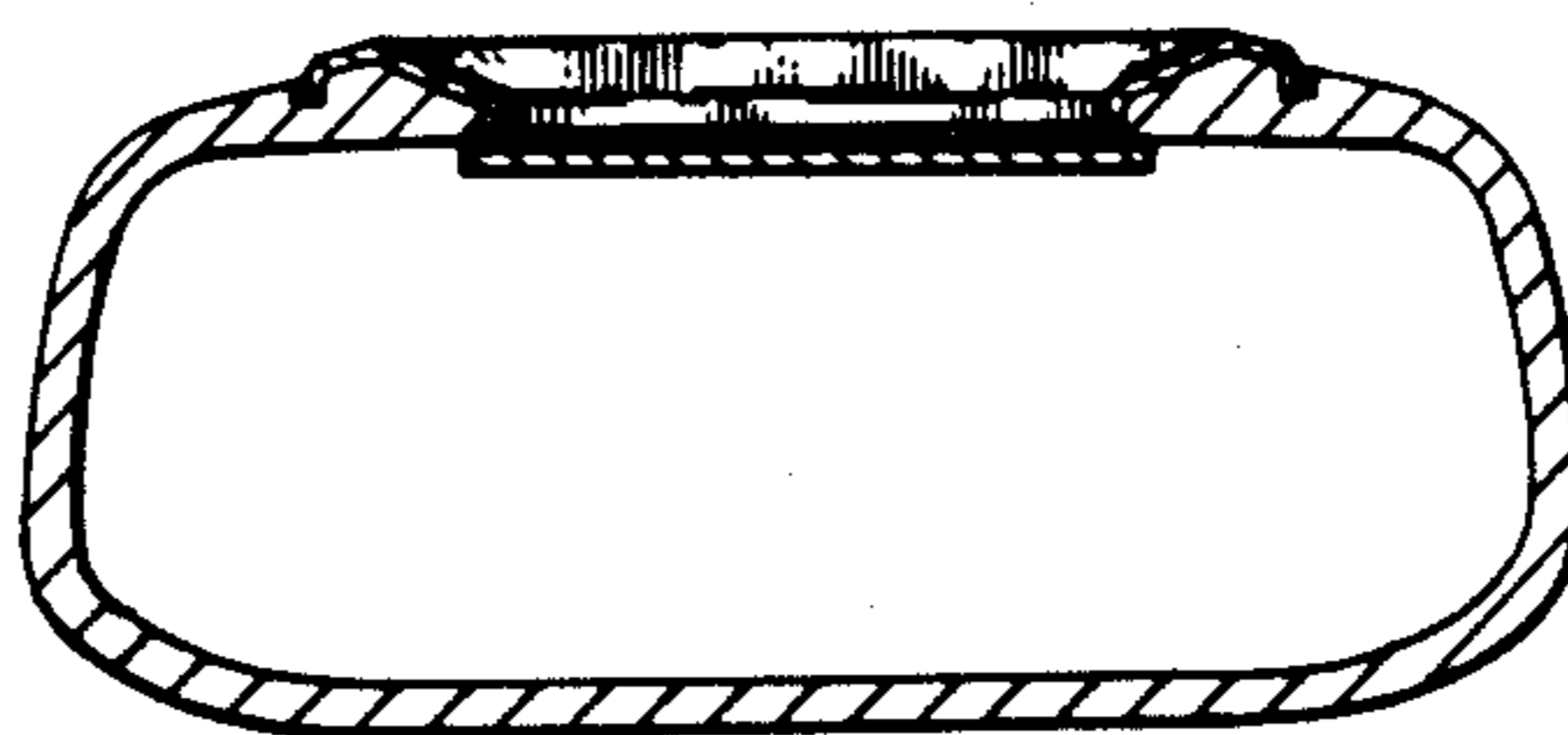


Fig. 3

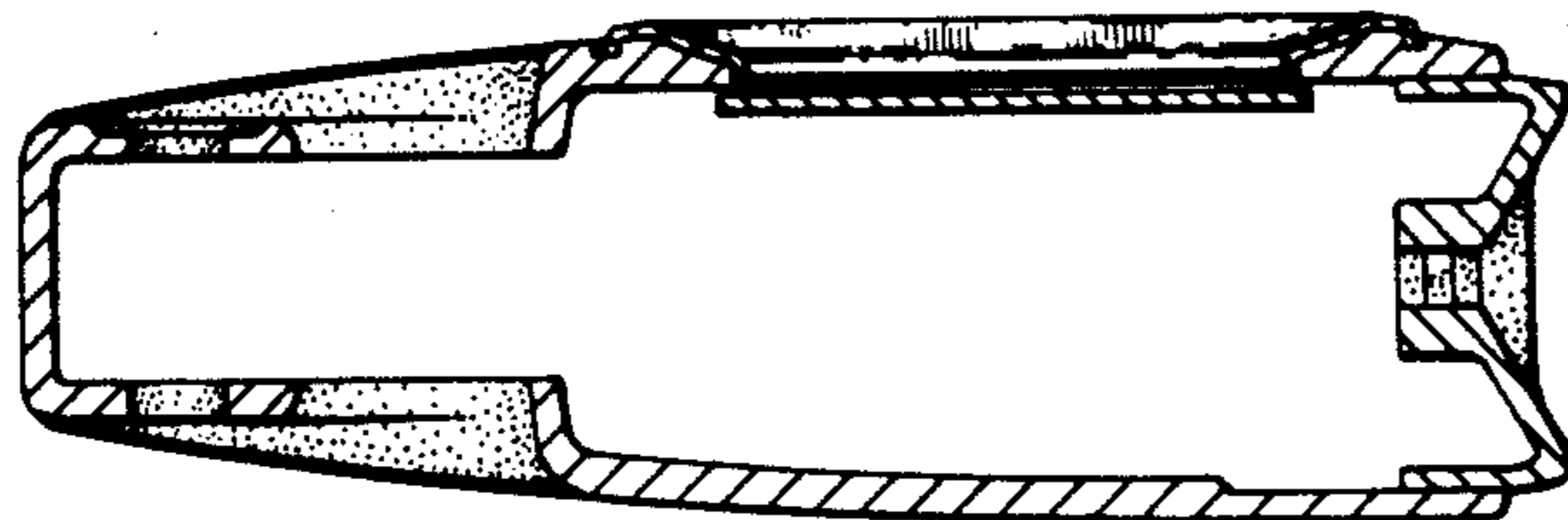
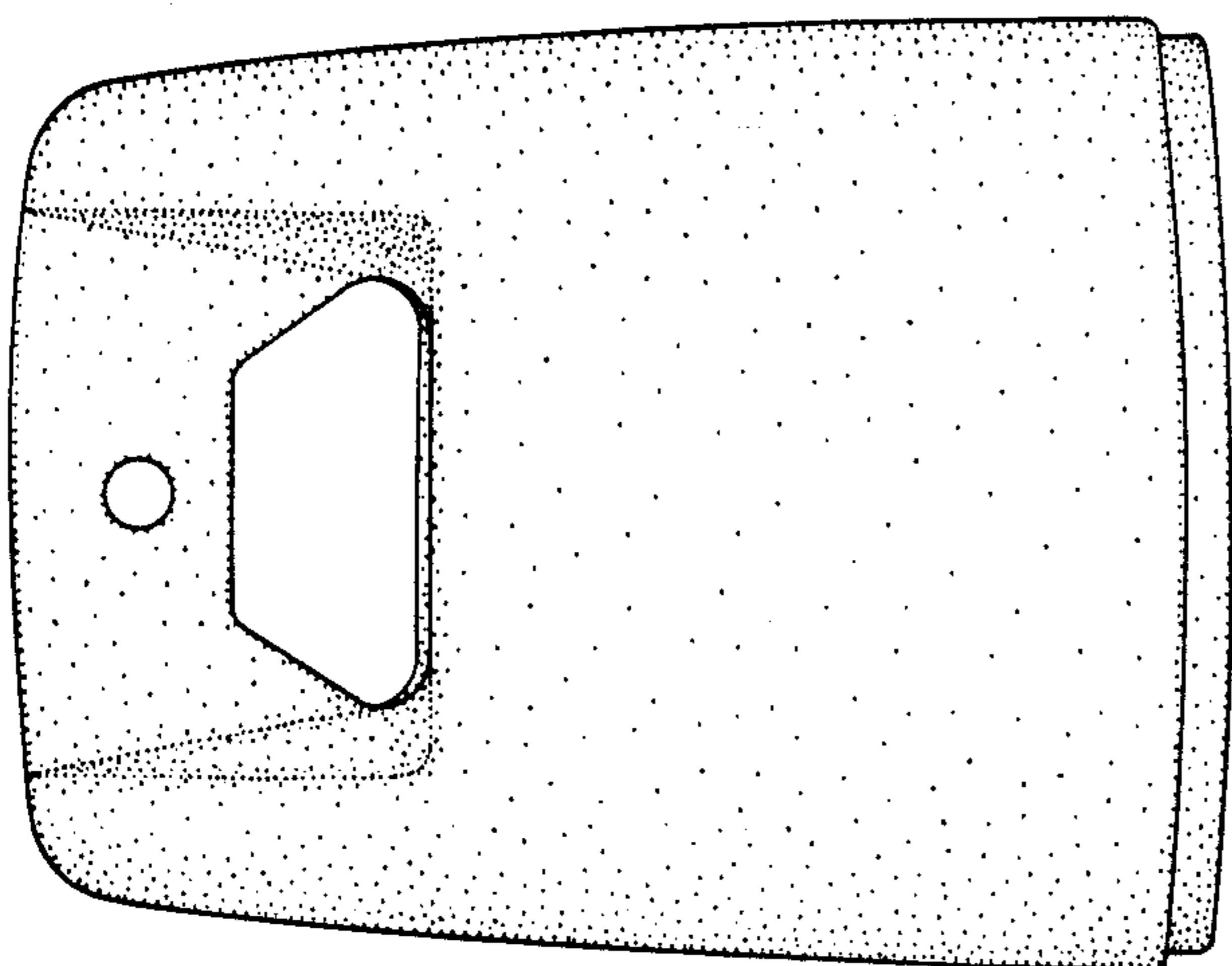
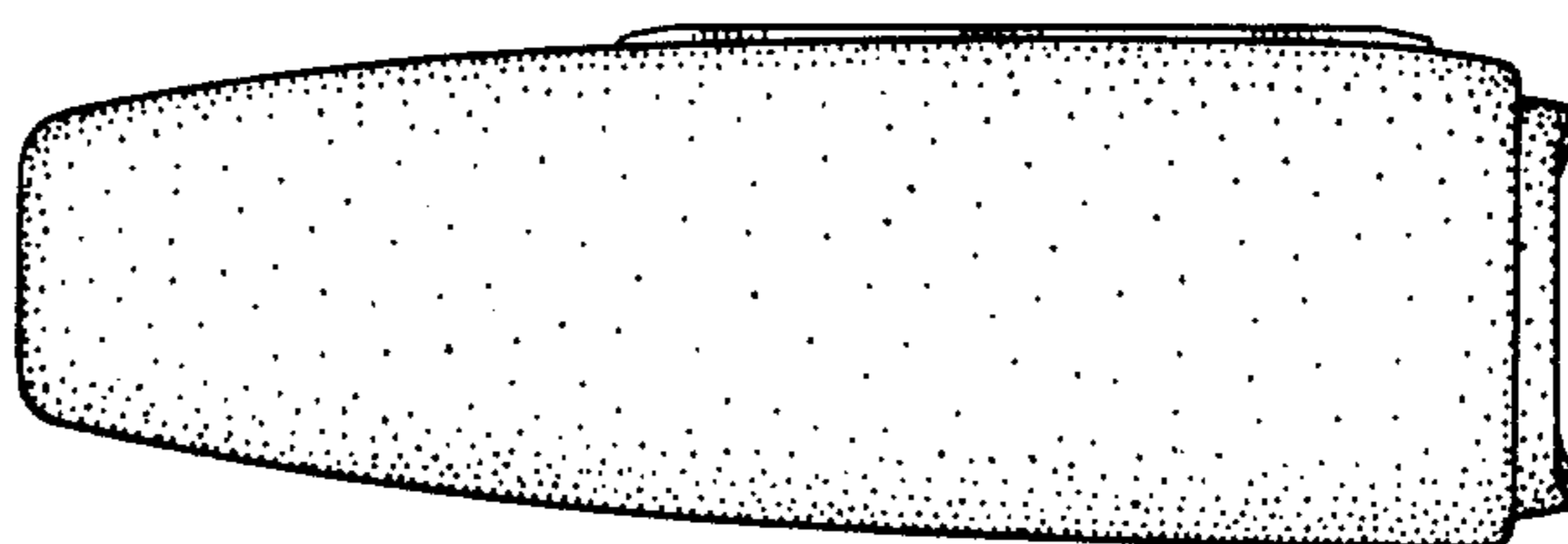


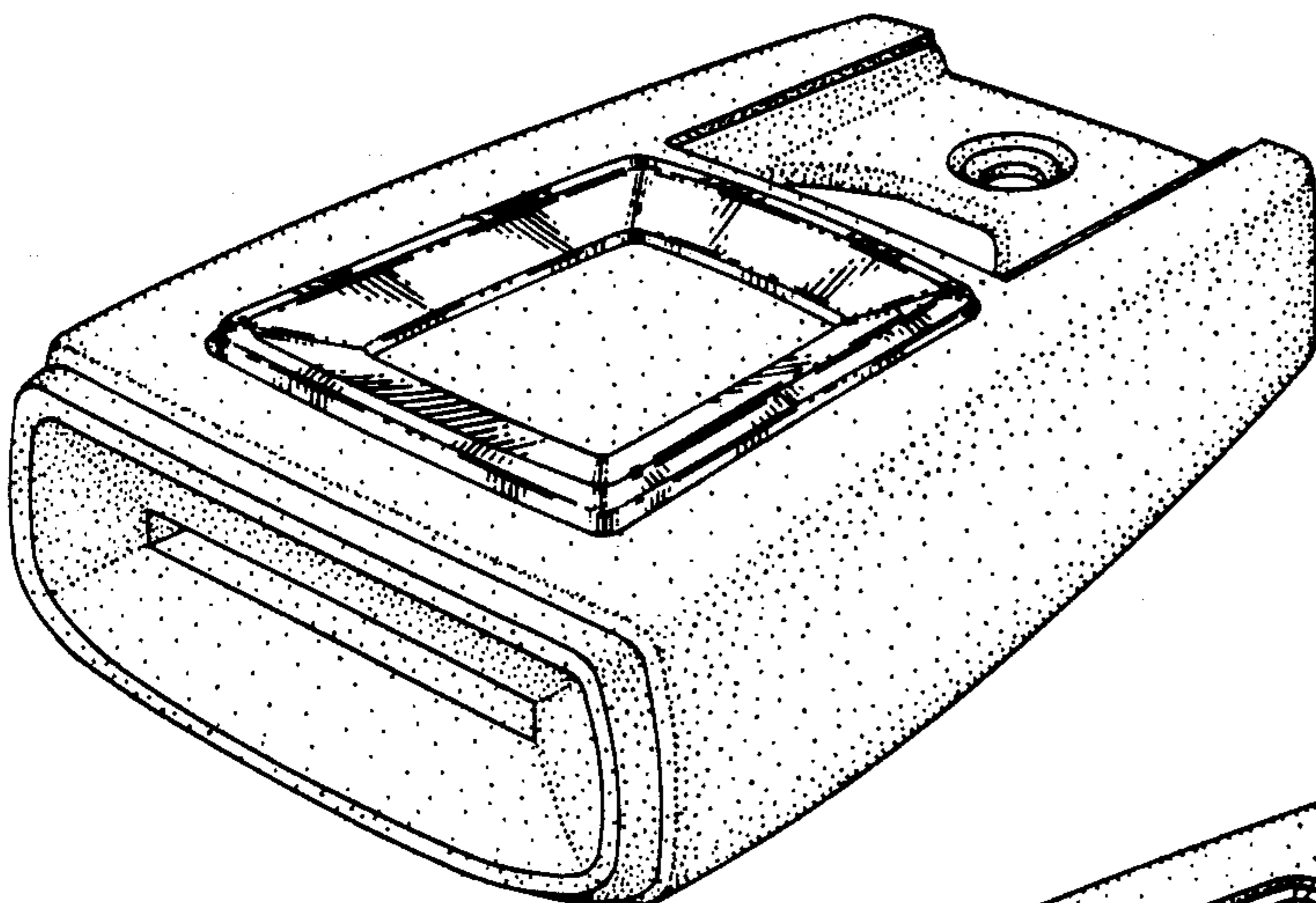
Fig. 4



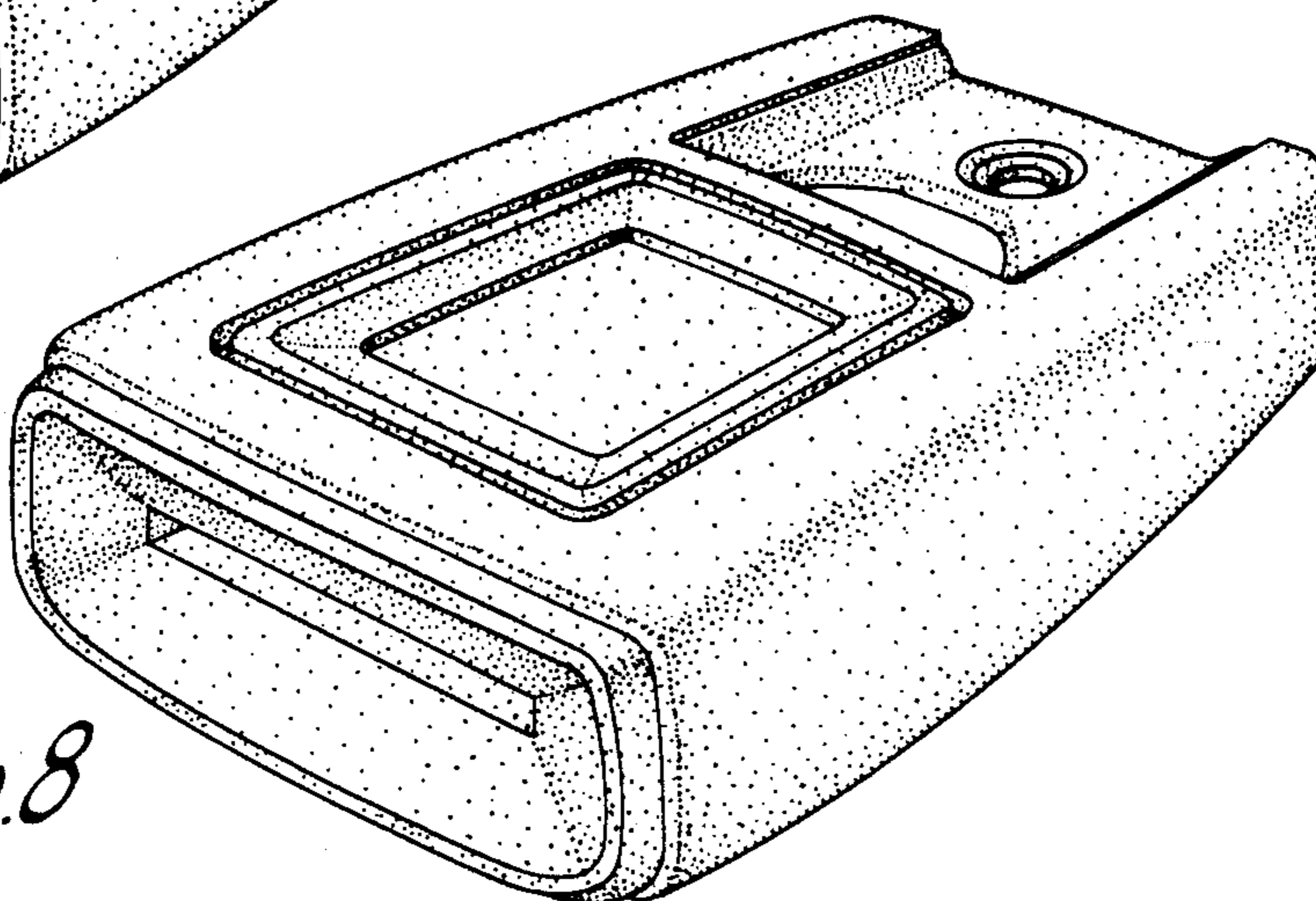
*Fig. 5*



*Fig. 6*



*Fig. 7*



*Fig. 8*