

[54] CARPENTER'S APRON

- [75] Inventor: **Harvey R. Rodstein**, Los Angeles, Calif.
- [73] Assignee: **Action Leathercraft, Inc.**, Commerce, Calif.
- [\*\*] Term: **14 Years**
- [21] Appl. No.: **925,413**
- [22] Filed: **Jul. 17, 1978**
- [51] Int. Cl. .... **D02-99**
- [52] U.S. Cl. .... **D2/400; D2/229**
- [58] Field of Search ..... **D2/400, 225, 226, 227, D2/228, 229; 2/46, 48, 51, 52; 224/191, 195, 216, 224, 225, 226, 227, 904**

[56] **References Cited**  
**U.S. PATENT DOCUMENTS**

- D. 249,297 9/1978 Hillinger ..... D2/229
- 2,785,409 3/1957 Lackey ..... 2/51

OTHER PUBLICATIONS

*Goldblatt Trowel Trades Tools*, 1976, p. 72, item #09 129 H7, and item #09 822 H8.  
*Mathias Klein & Sons Tools*, 1963, p. 47, Cat. No. 5116.

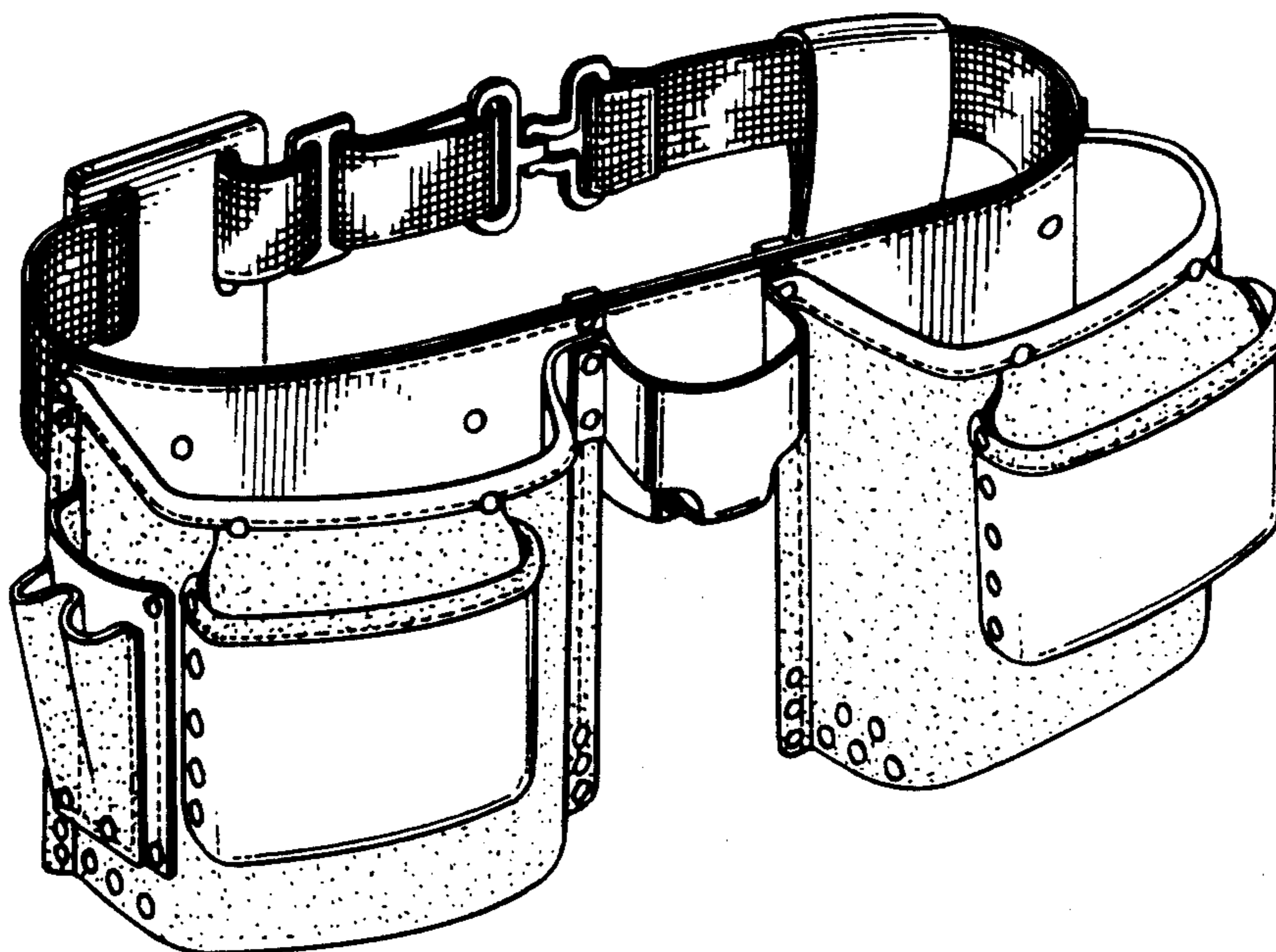
*Primary Examiner*—Joel Stearman  
*Assistant Examiner*—Carmen H. Vales  
*Attorney, Agent, or Firm*—Paul D. Supnik

[57] CLAIM

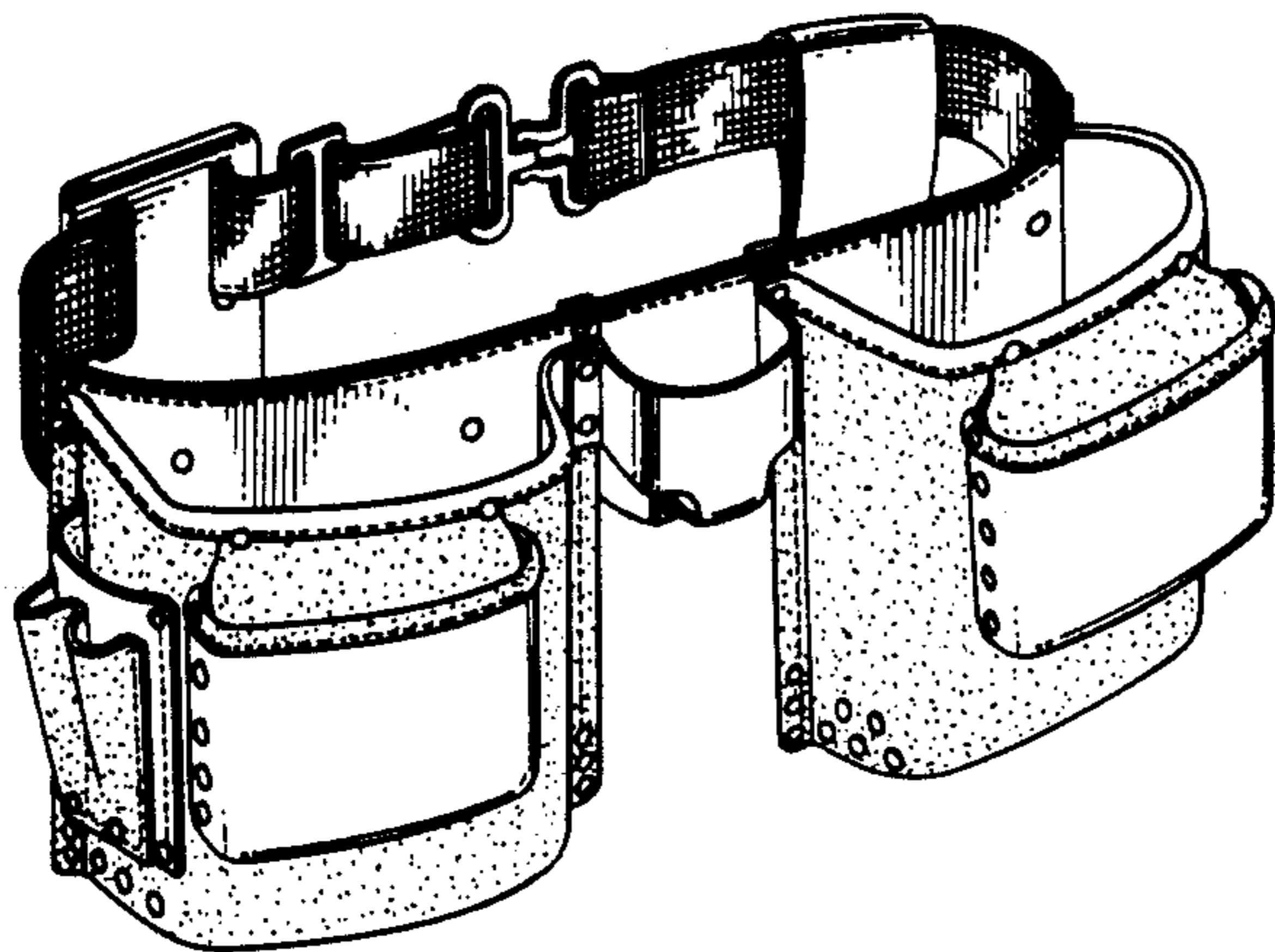
The ornamental design for a carpenter's apron, substantially as shown and described.

DESCRIPTION

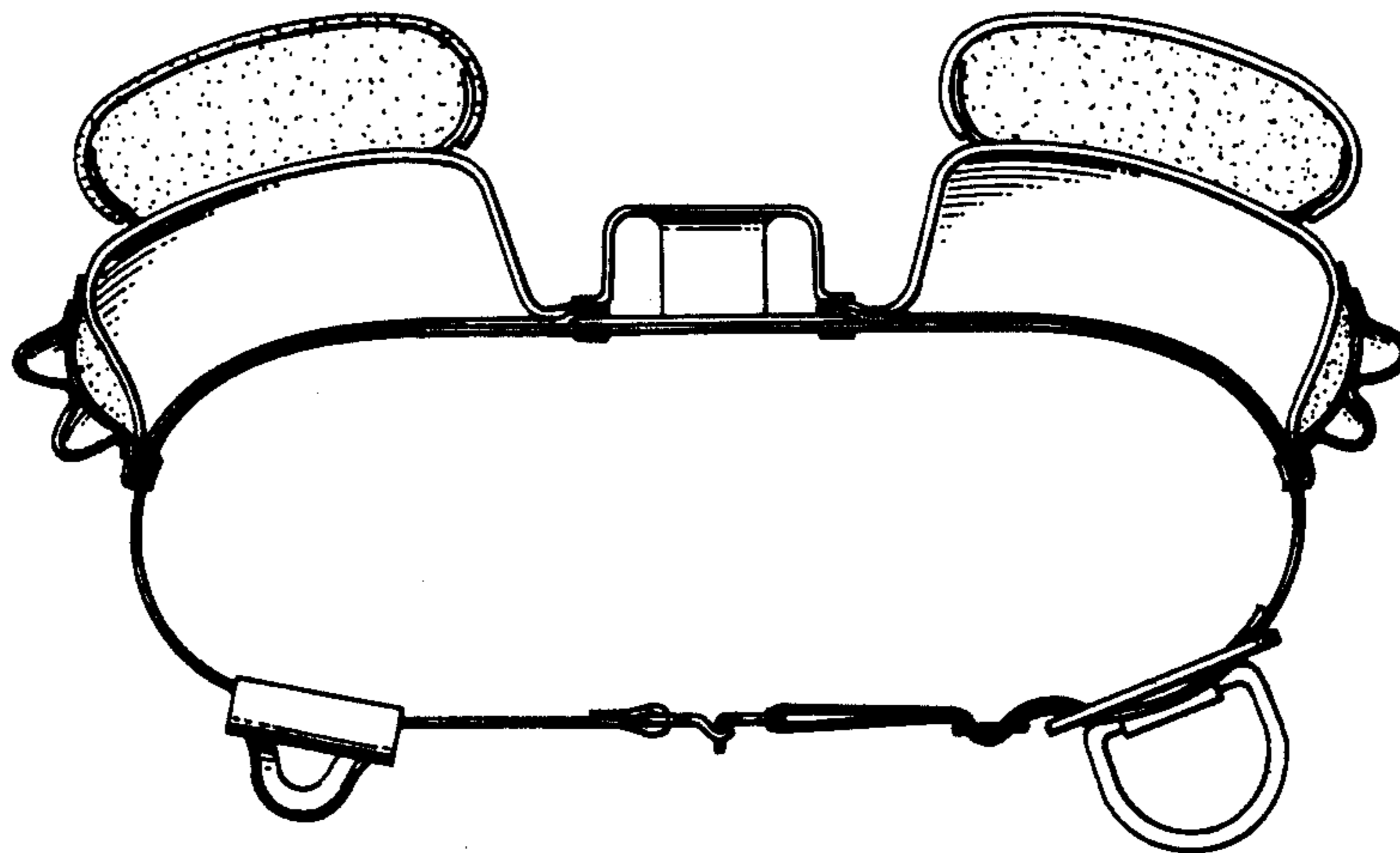
FIG. 1 is a perspective view taken from the rear, top and left side of a carpenter's apron showing my new design;  
 FIG. 2 is a top plan view thereof;  
 FIG. 3 is a front elevational view thereof;  
 FIG. 4 is a right side elevational view thereof;  
 FIG. 5 is a rear elevational view thereof; and  
 FIG. 6 is a left side elevational view thereof.



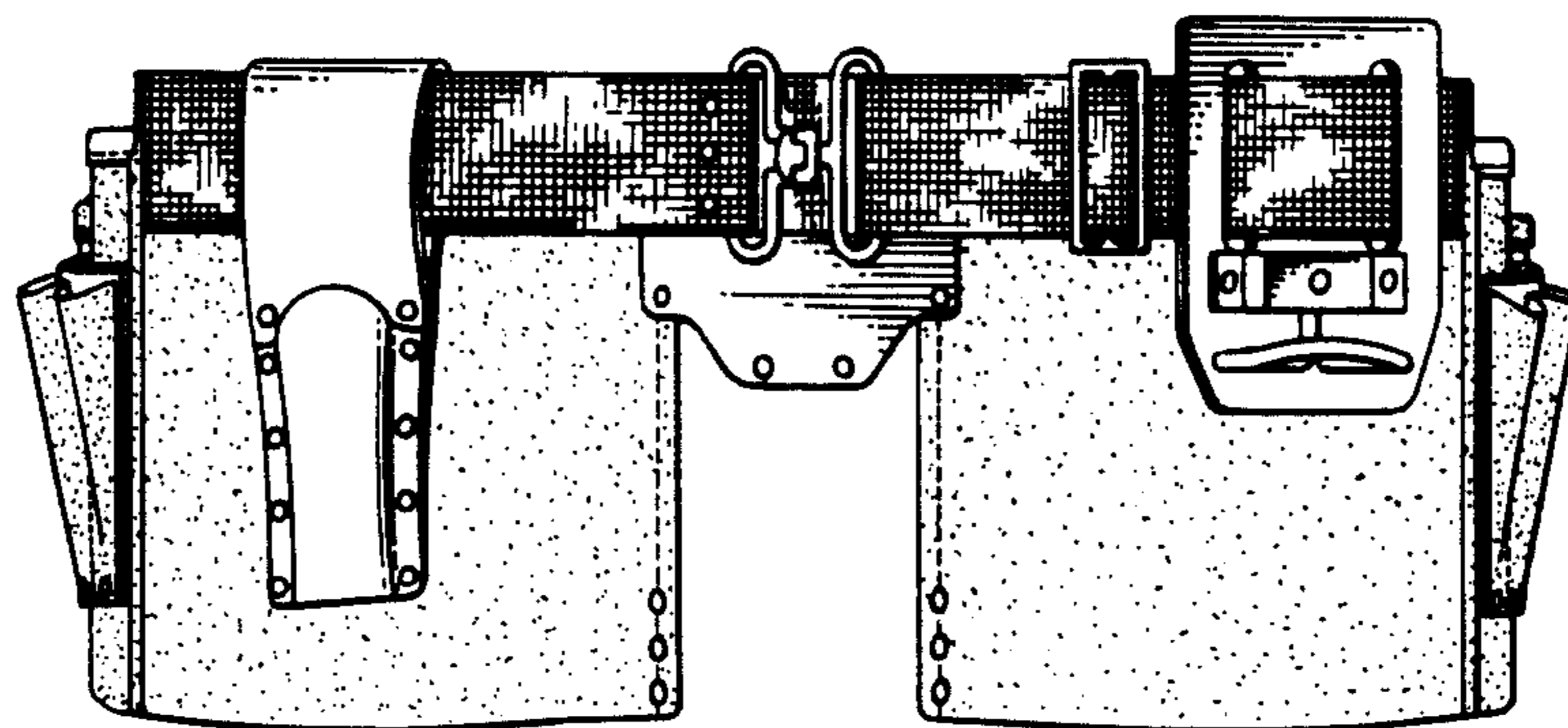
*FIG. 1.*



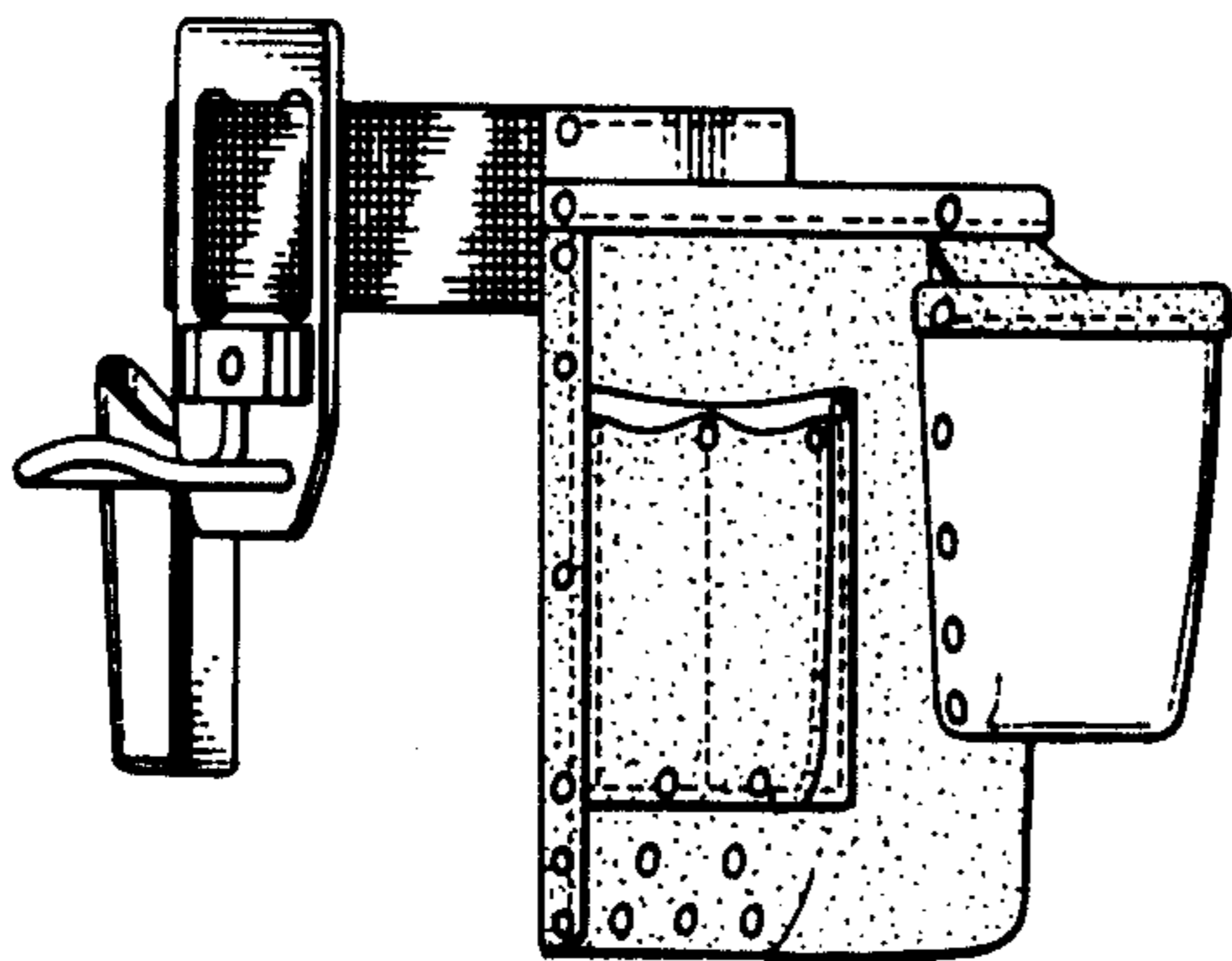
*FIG. 2.*



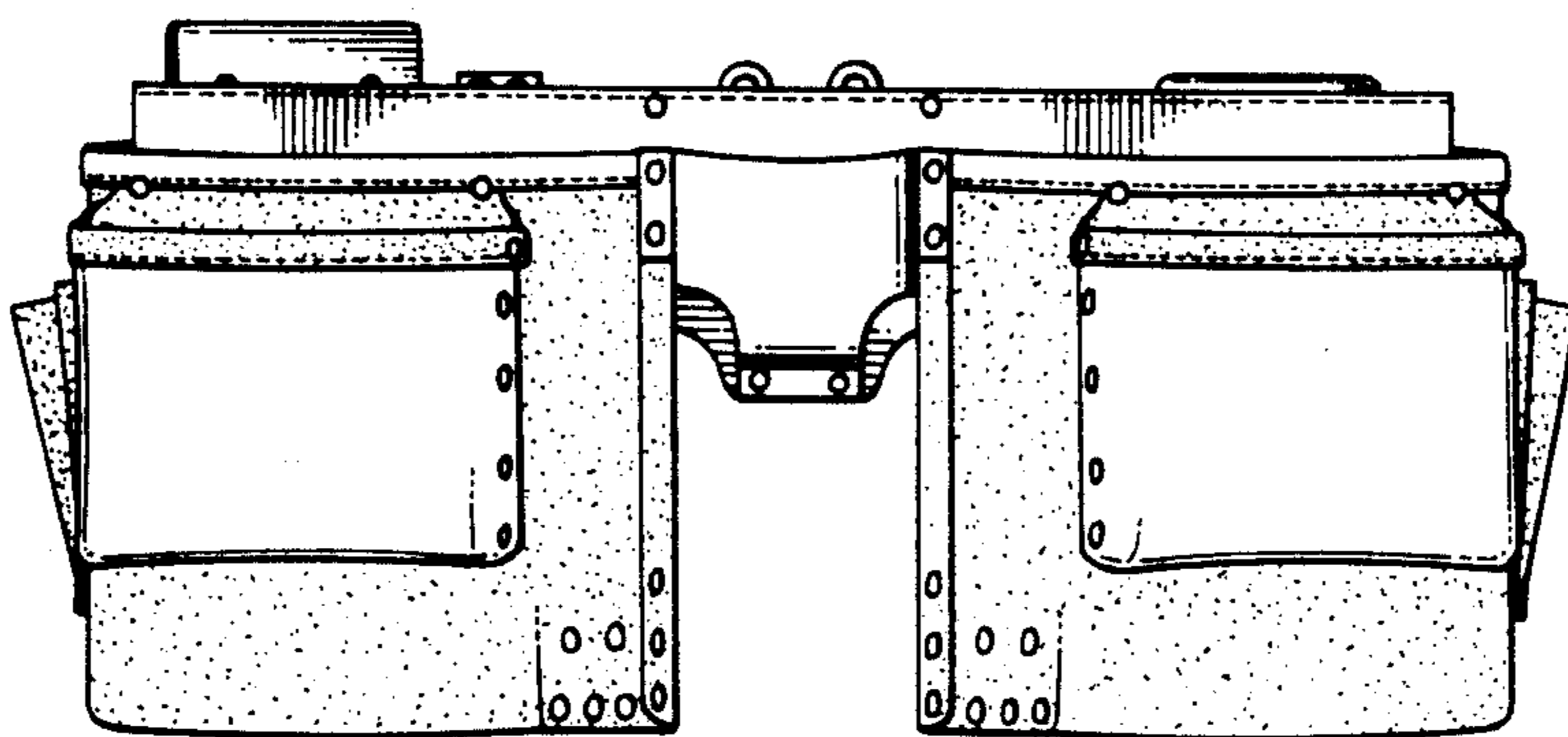
*FIG. 3.*



*FIG. 4.*



*FIG. 5.*



*FIG. 6.*

