

[54] STOKER APPARATUS FOR HEATING BOILERS

[76] Inventor: **Sjunne Johansson**, Erlandsliden 4, S-302 41 Halmstad, Sweden

[**] Term: **14 Years**

[21] Appl. No.: **862,935**

[22] Filed: **Dec. 21, 1977**

[51] Int. Cl. **D23-03**
[52] U.S. Cl. **D23/125**
[58] Field of Search **D23/86-90,**
D23/125; 241/600; 126/361; 110/101 R, 101
A, 103, 234

[56] **References Cited**

U.S. PATENT DOCUMENTS

D. 90,641	9/1933	Yerges	D23/125
D. 93,371	9/1934	Yerges	D23/125
D. 207,139	3/1967	Jakobsson	D23/88

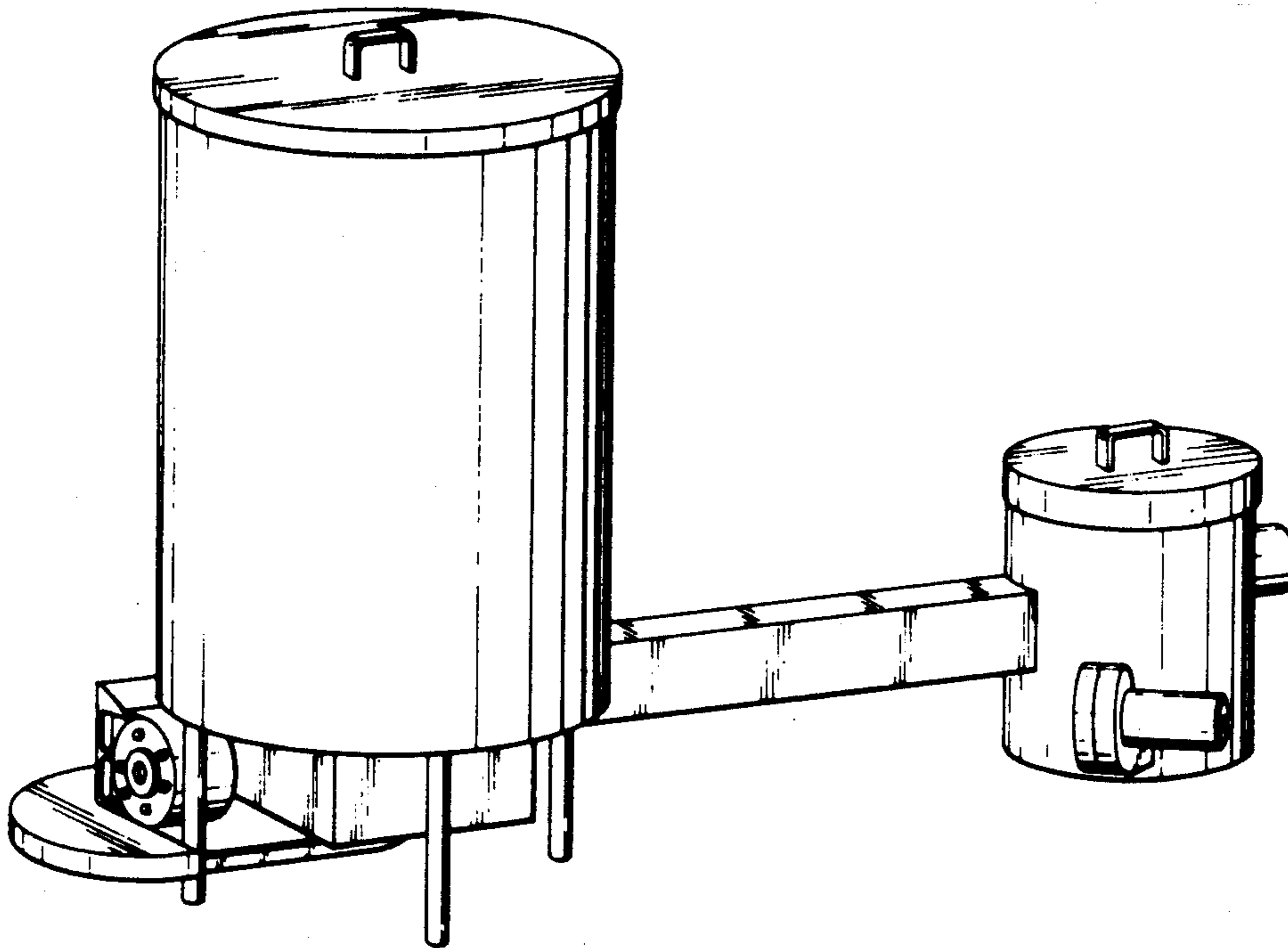
Primary Examiner—Catherine E. Kemper
Attorney, Agent, or Firm—Eugene E. Renz, Jr.

[57] **CLAIM**

The ornamental design for a stoker apparatus for heating boilers, substantially as shown and described.

DESCRIPTION

FIG. 1 is a perspective view of a stoker apparatus for heating boilers, showing my new design;
FIG. 2 is a top plan view thereof;
FIG. 3 is a side elevational view thereof;
FIG. 4 is an elevational view of the opposite side thereof;
FIG. 5 is a left end elevational view thereof; and
FIG. 6 is a right end elevational view thereof.



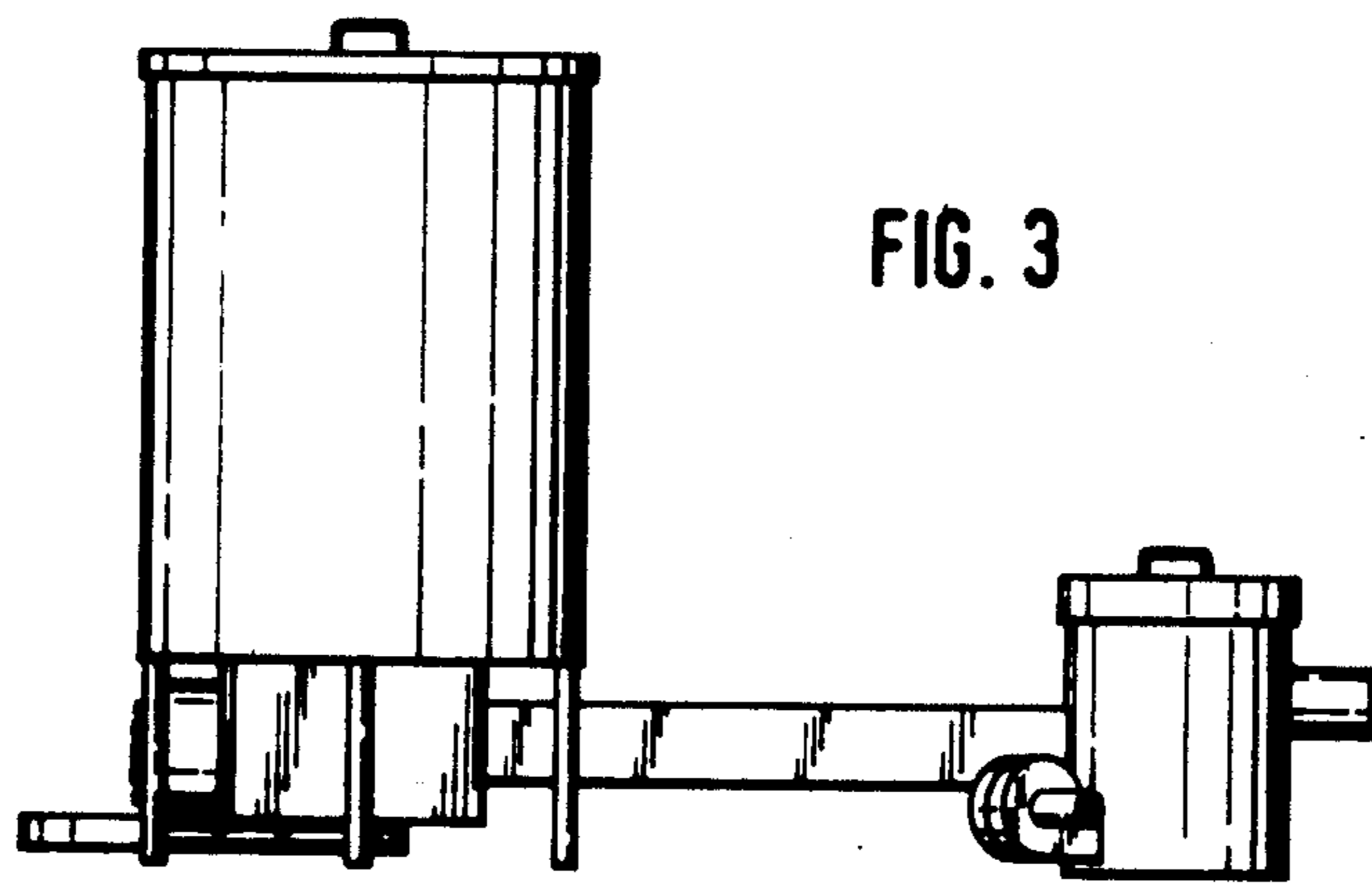
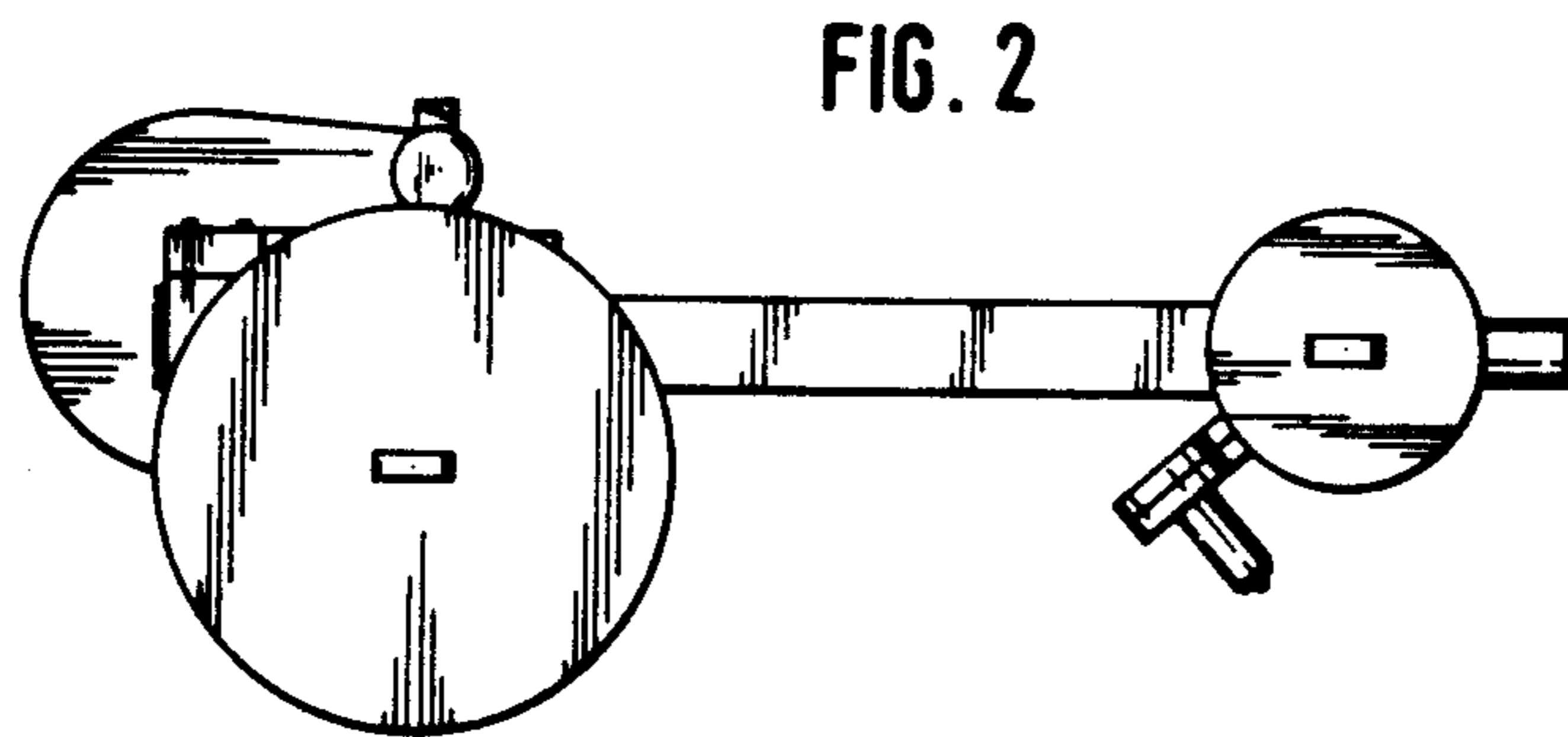
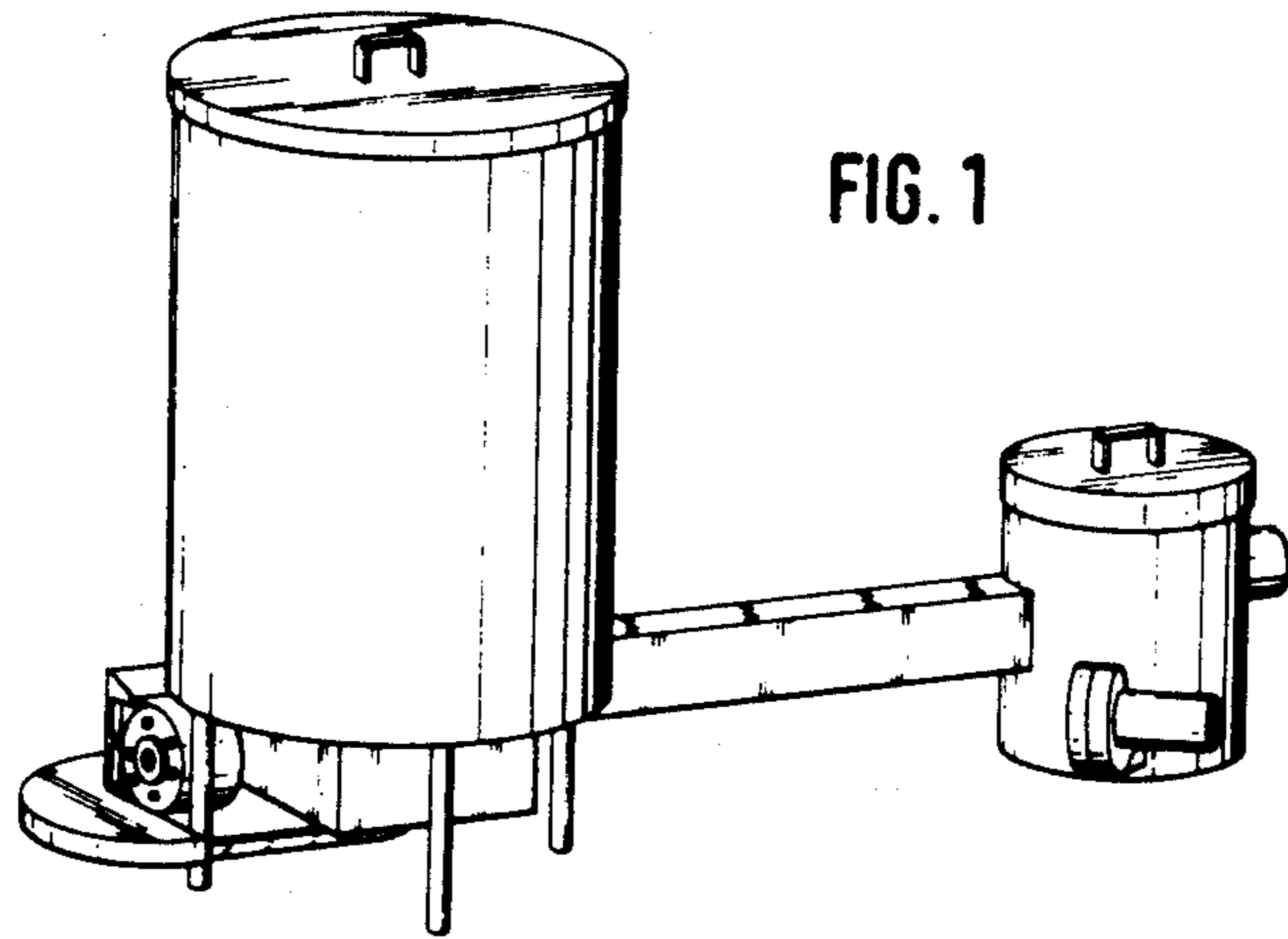


FIG. 4

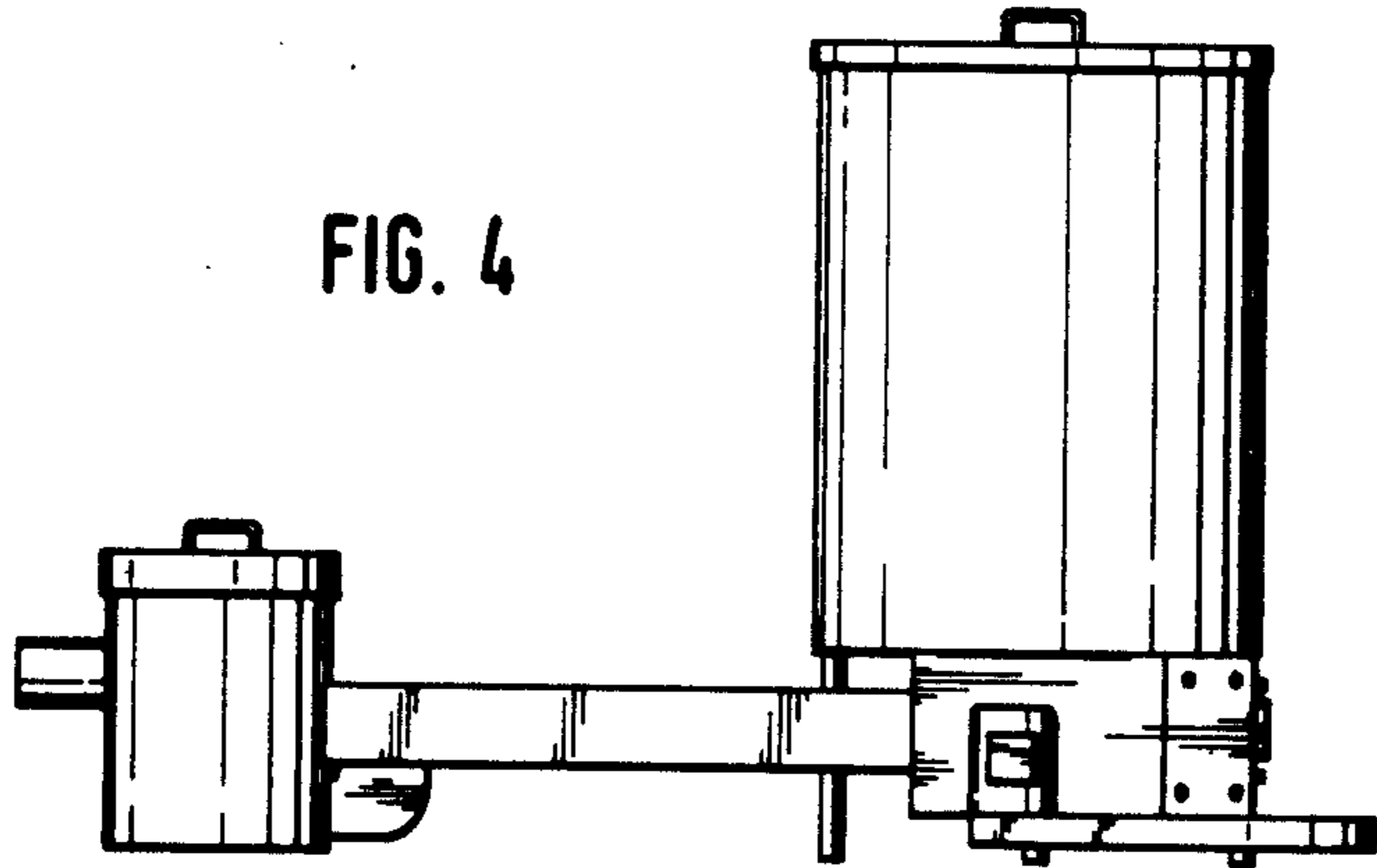


FIG. 5

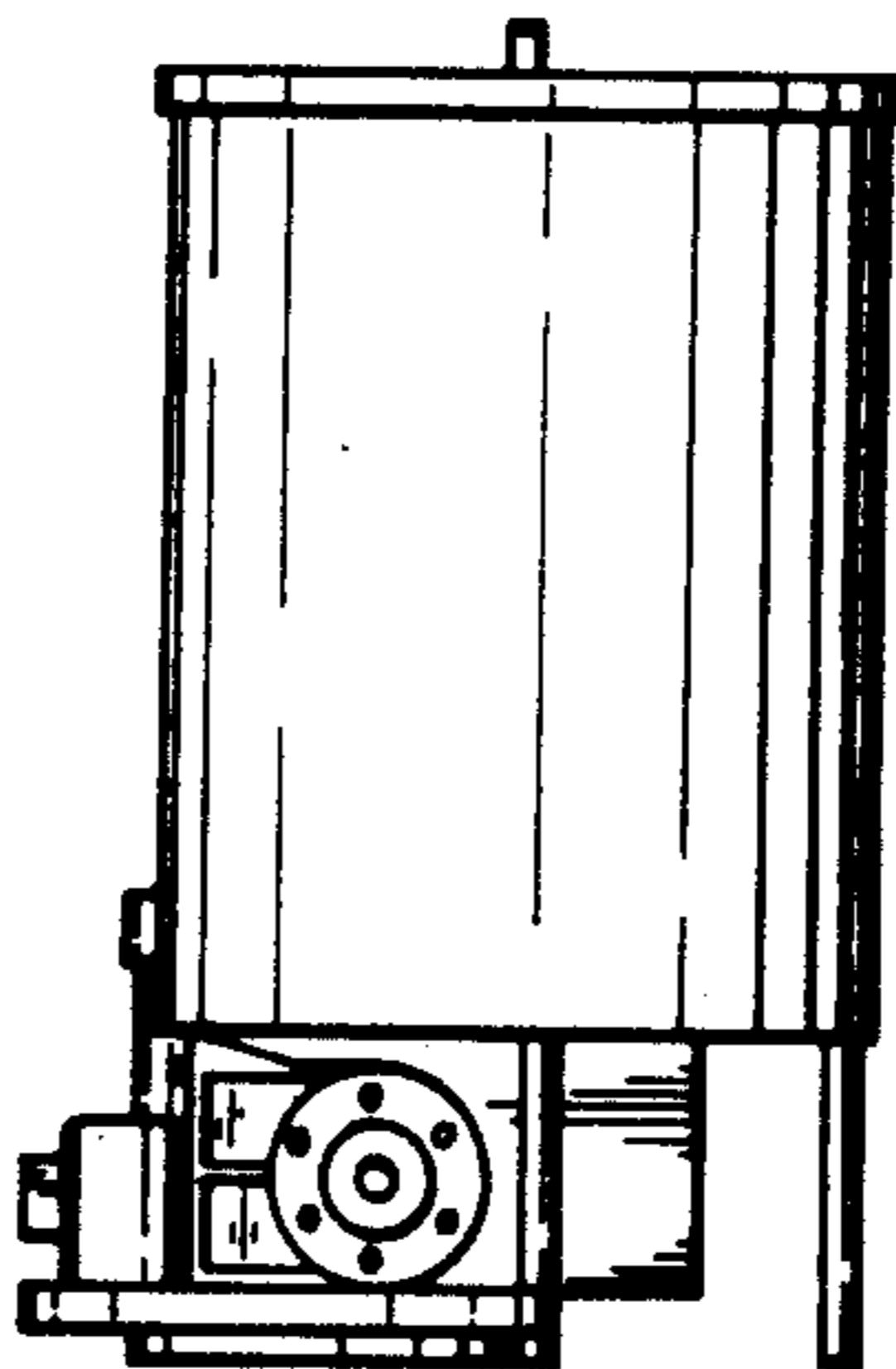


FIG. 6

