

[54] SHOWER STALL BASE

[76] Inventor: Alf L. Anderson, Box 231, S-694 02 Hallsberg, Sweden

[\*\*] Term: 14 Years

[21] Appl. No.: 777,507

[22] Filed: Mar. 14, 1977

[30] Foreign Application Priority Data

Sep. 14, 1976 [SE] Sweden ..... 731779

[51] Int. Cl. .... D23-02

[52] U.S. Cl. .... D23/57

[58] Field of Search ..... D23/48-57; 4/146, 162, 175, 180, 185 R, 185 AB, 185 B, 185 S

[56] References Cited

U.S. PATENT DOCUMENTS

- D. 196,290 9/1963 King ..... D23/57
- D. 203,373 12/1965 McNair ..... D23/55 X
- D. 215,289 9/1969 Seymour ..... D23/57

- D. 217,866 6/1970 Myers ..... D23/57
- D. 219,512 12/1970 Skyhawk ..... D23/57
- D. 247,511 3/1978 Lee et al. .... D23/48 X
- 2,569,825 10/1951 Otis ..... 4/185 S
- 3,584,320 6/1971 Locke ..... 4/185 S
- 3,711,872 1/1973 Jarosinski ..... 4/146
- 3,895,398 7/1975 Mustee ..... 4/146
- 3,900,902 8/1975 Jarosinski ..... 4/146
- 3,965,495 6/1976 McNair ..... 4/178

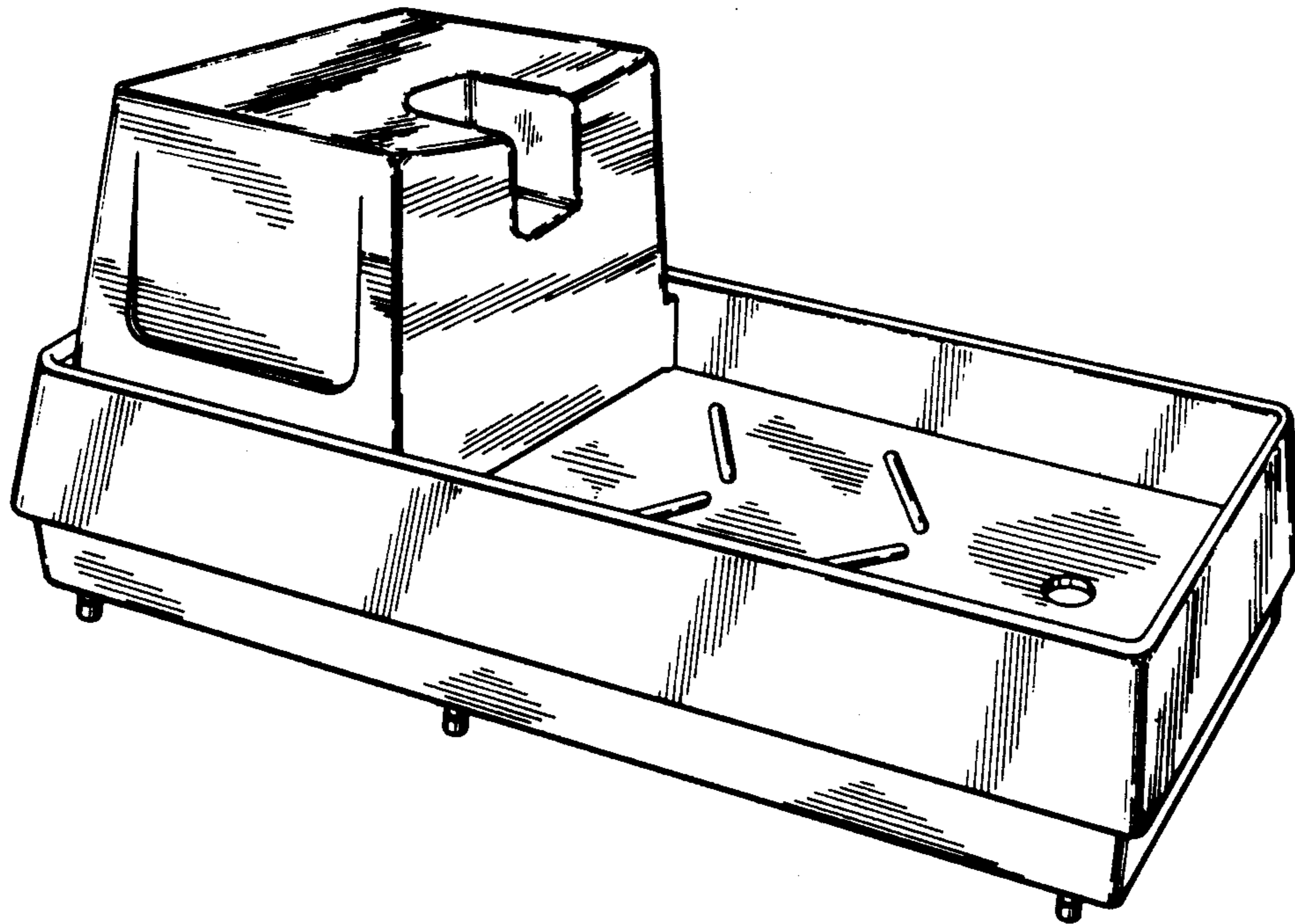
Primary Examiner—James R. Largen

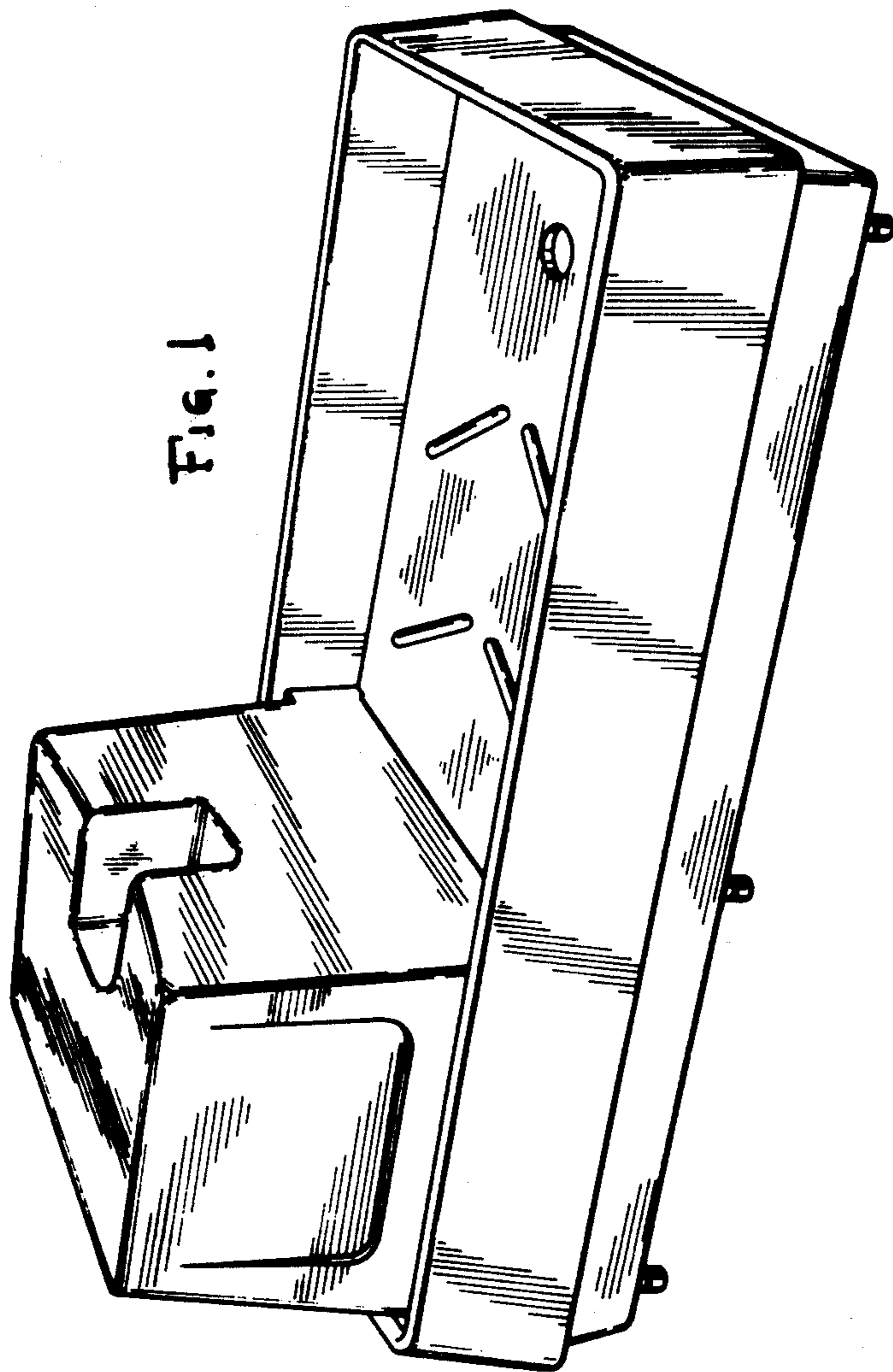
[57] CLAIM

The ornamental design for a shower stall base, substantially as shown and described.

DESCRIPTION

FIG. 1 is perspective view of a shower stall base according to this invention;  
 FIG. 2 is a front elevational view thereof, the back elevational view being the same;  
 FIG. 3 is a top plan view thereof;  
 FIG. 4 is right end elevational view thereof;  
 FIG. 5 is a left end elevational view thereof;  
 FIG. 6 is a bottom plan view thereof;





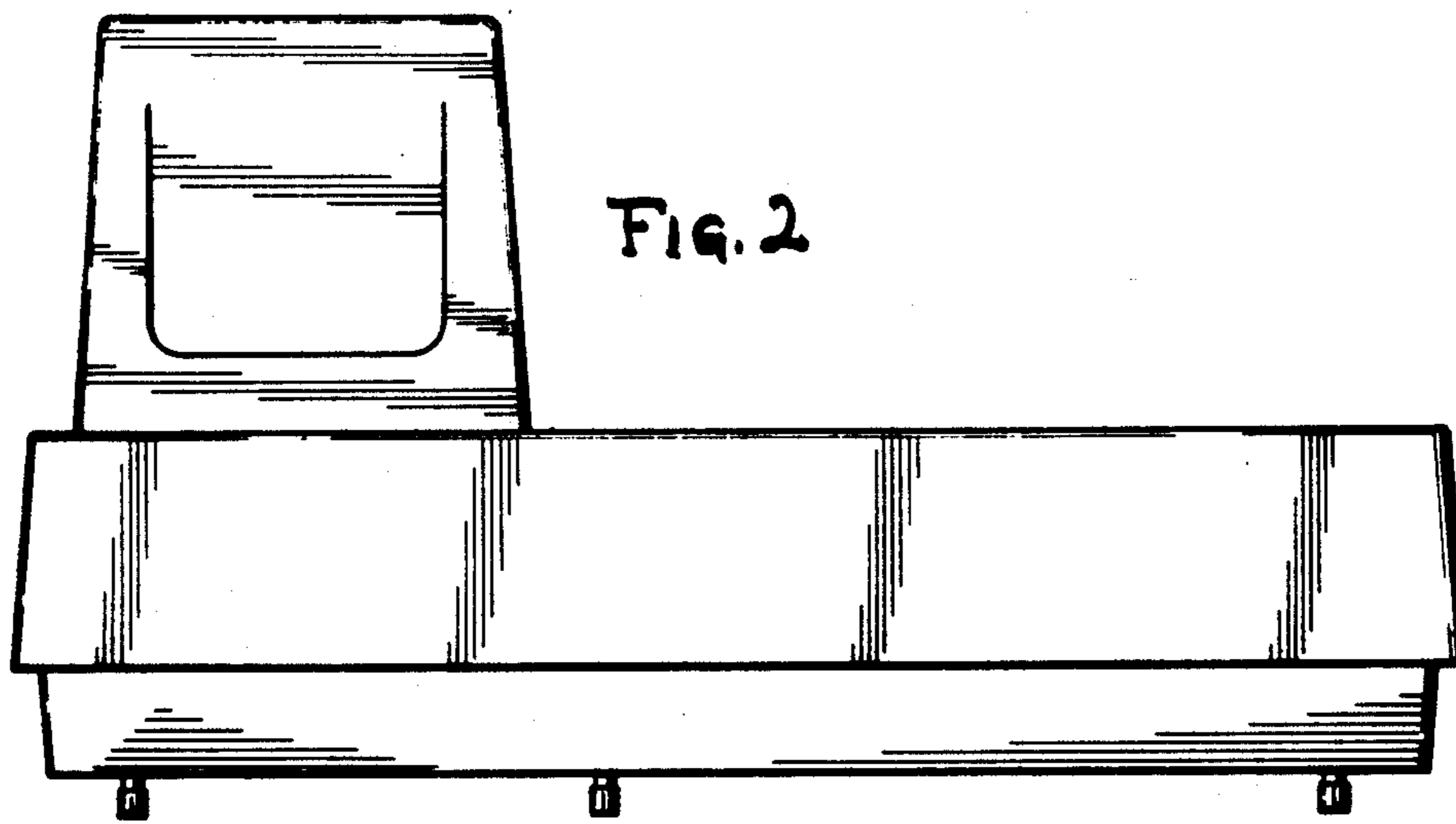


FIG. 3

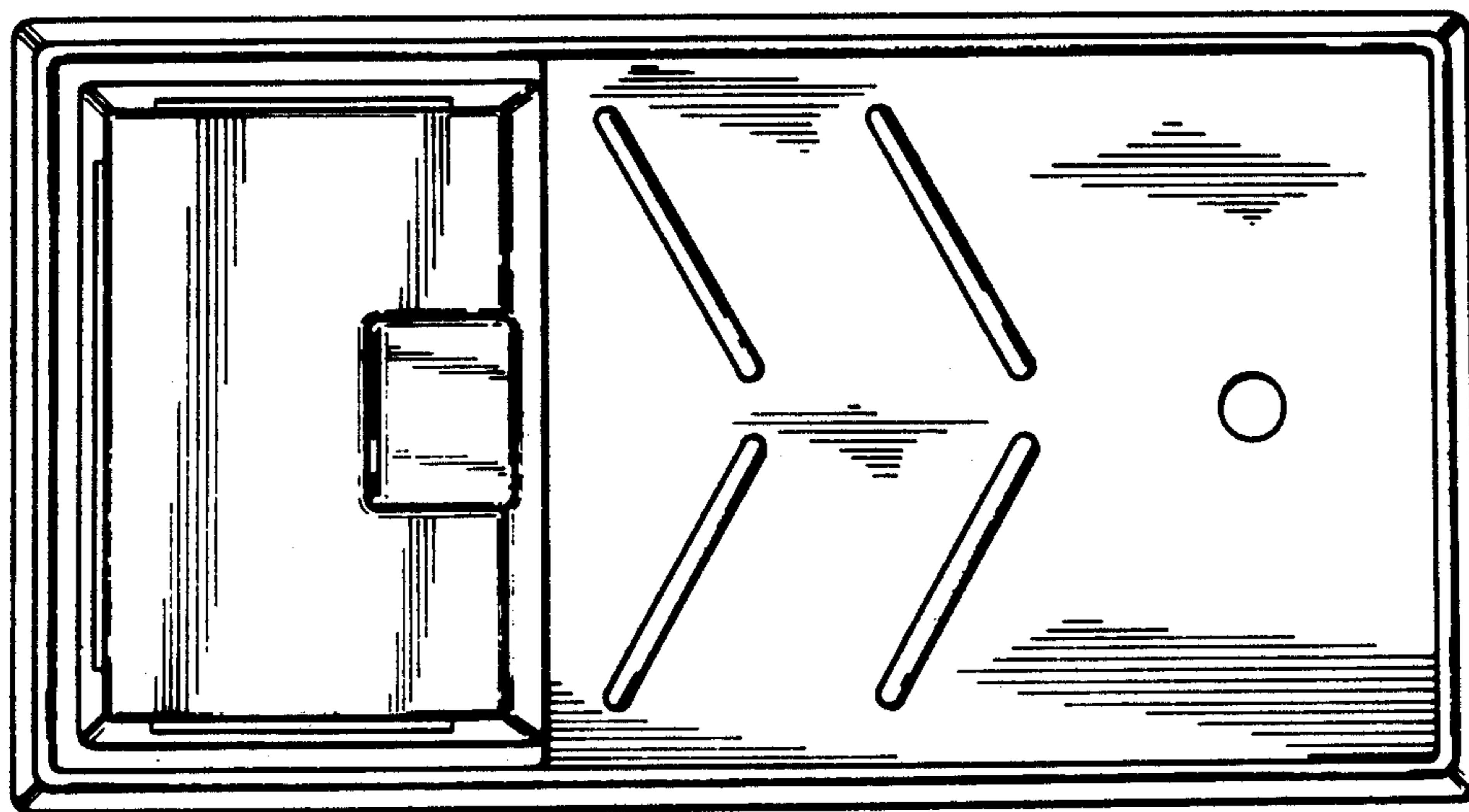


FIG. 4

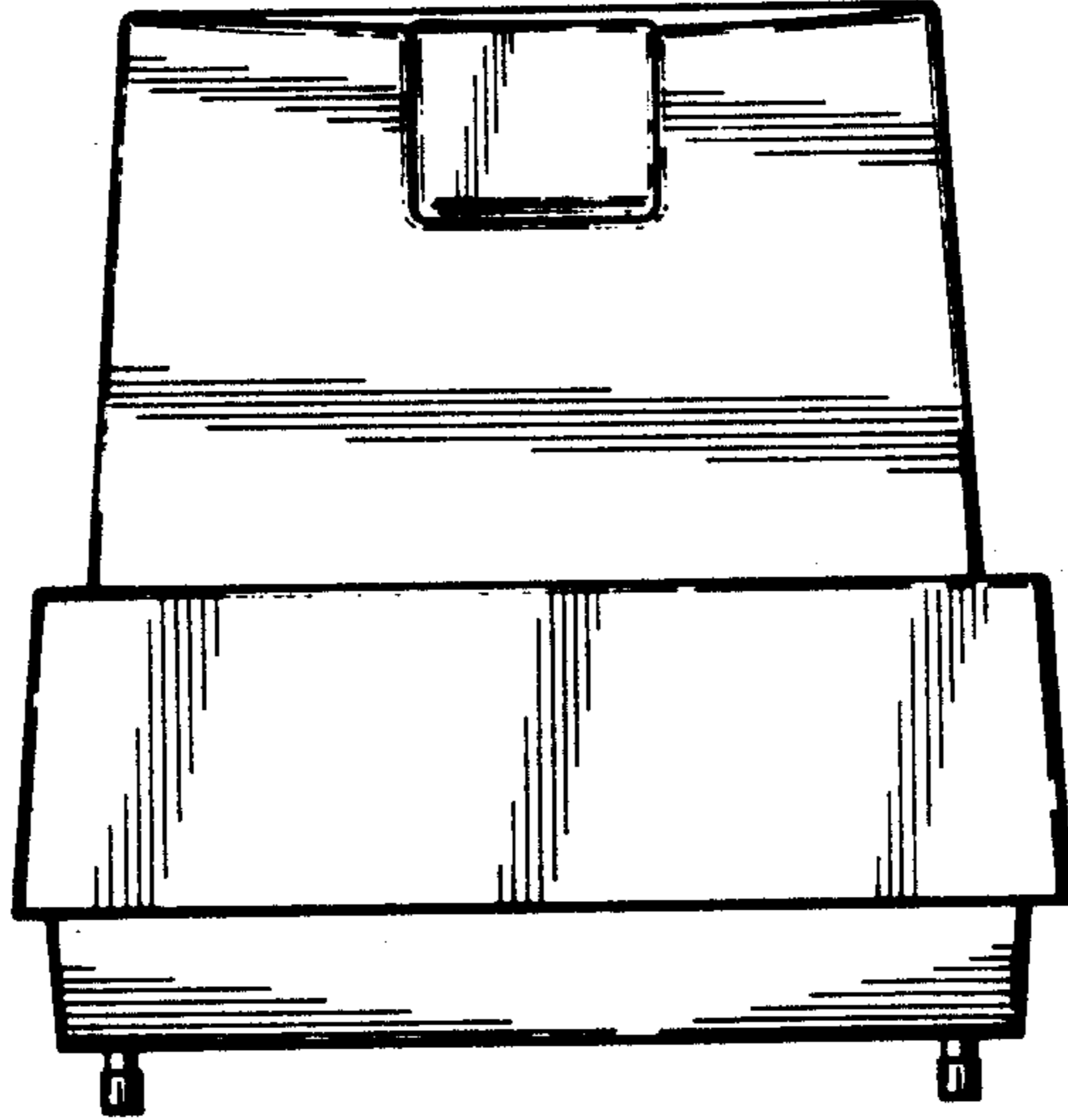


FIG. 5

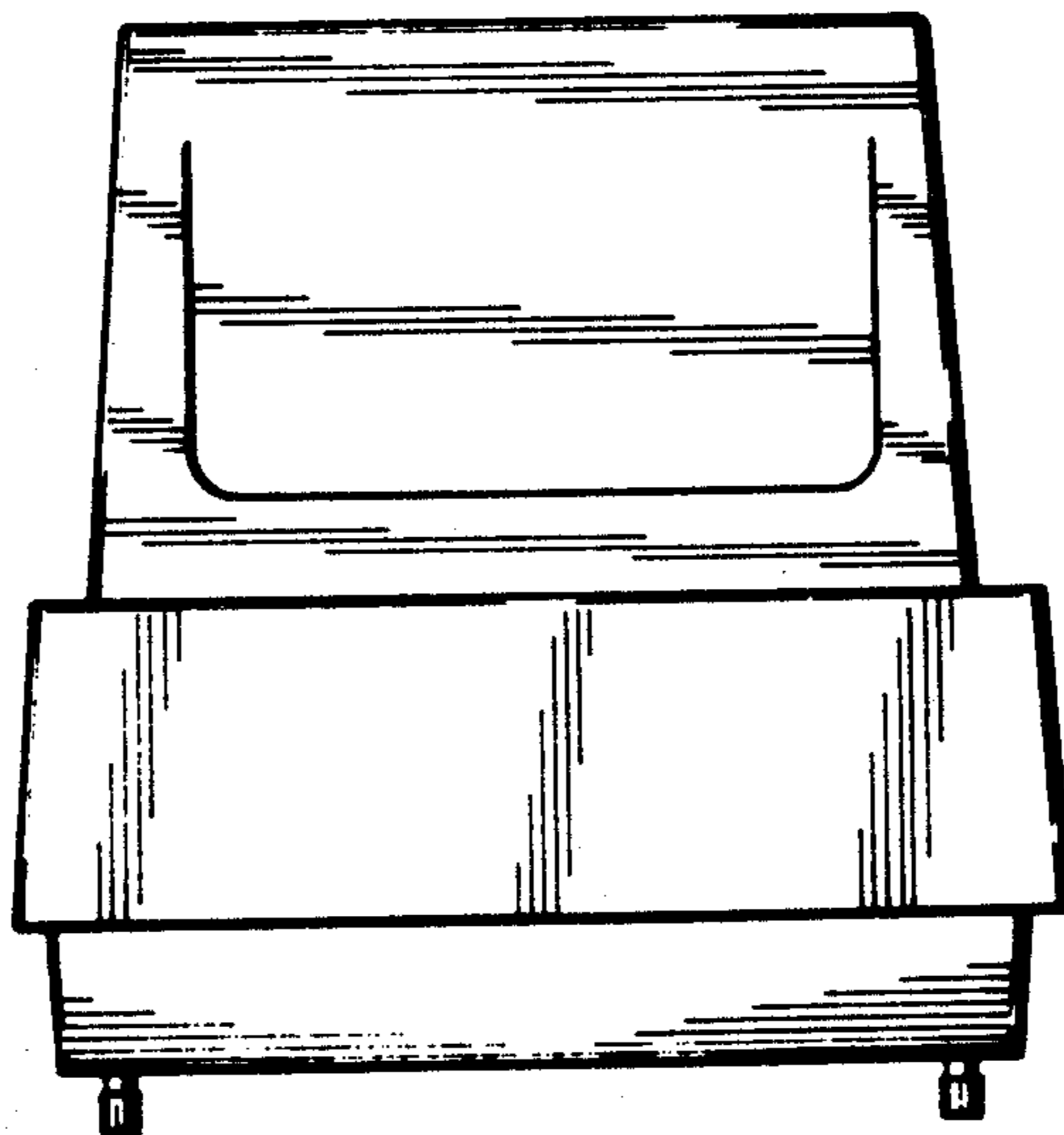


FIG. 6

