

[54] ARM WRESTLING TABLE

[76] Inventor: Maurice O'Meara, R.R. #2, Charter Oak, Iowa 51439

[\*\*] Term: 14 Years

[21] Appl. No.: 895,300

[22] Filed: Apr. 11, 1978

[51] Int. Cl. .... D21-02

[52] U.S. Cl. .... D21/199; D6/27; D6/144

[58] Field of Search ..... D21/199; D6/144, 27; 273/1 R

[56]

References Cited

U.S. PATENT DOCUMENTS

3,467,376	9/1969	Feinberg .....	273/1 R
3,672,741	6/1972	Clark .....	D6/144
3,743,284	7/1973	Rhodes et al. ....	273/1 R

Primary Examiner—Melvin B. Feifer  
Attorney, Agent, or Firm—Henderson & Sturm

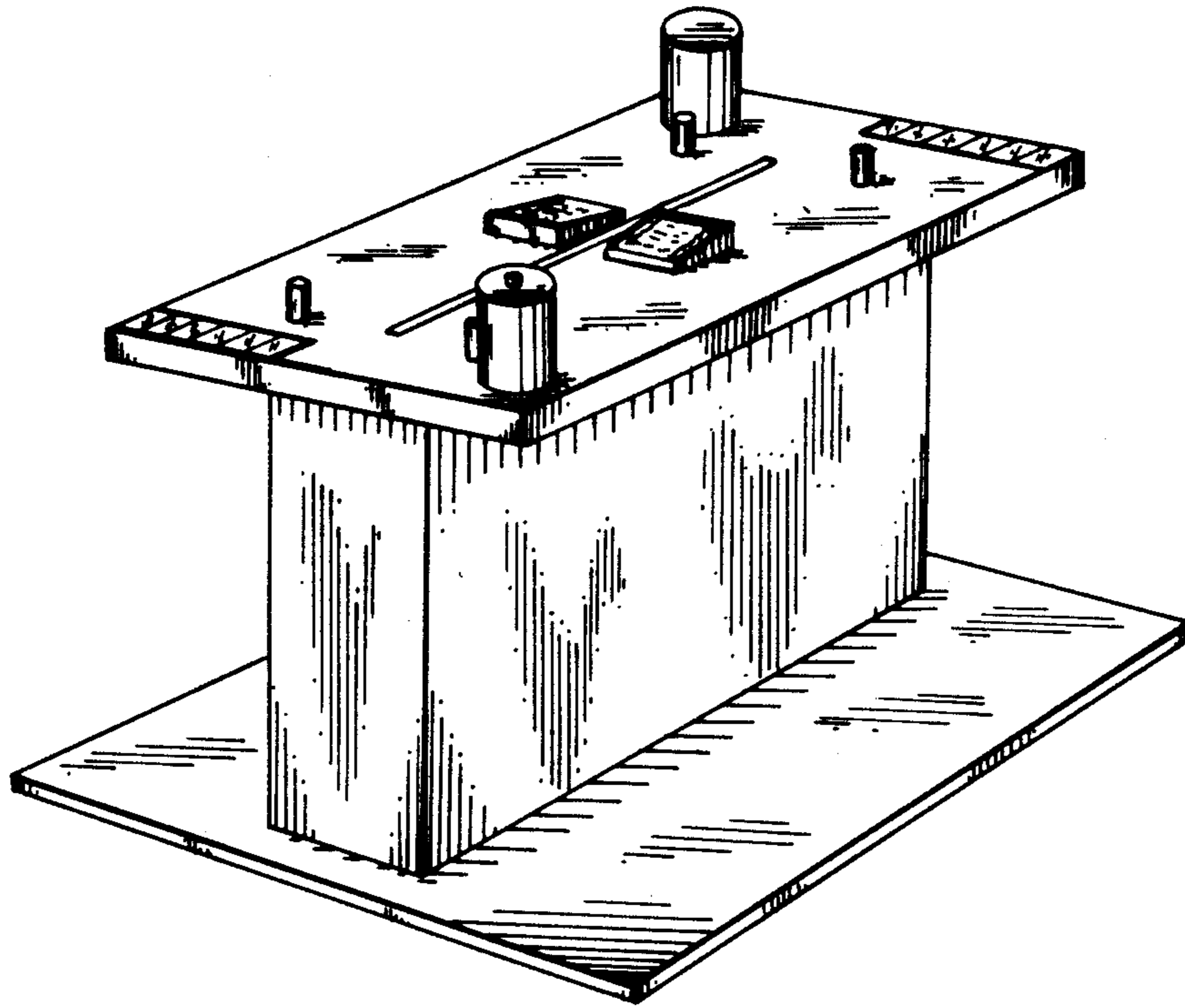
[57]

CLAIM

The ornamental design for an arm wrestling table or the like, substantially as shown and described.

DESCRIPTION

FIG. 1 is a front perspective view of the arm wrestling table, or the like, showing my new design; FIG. 2 is a top plan view thereof; FIG. 3 is a side elevational view thereof; and FIG. 4 is a front elevational view thereof.



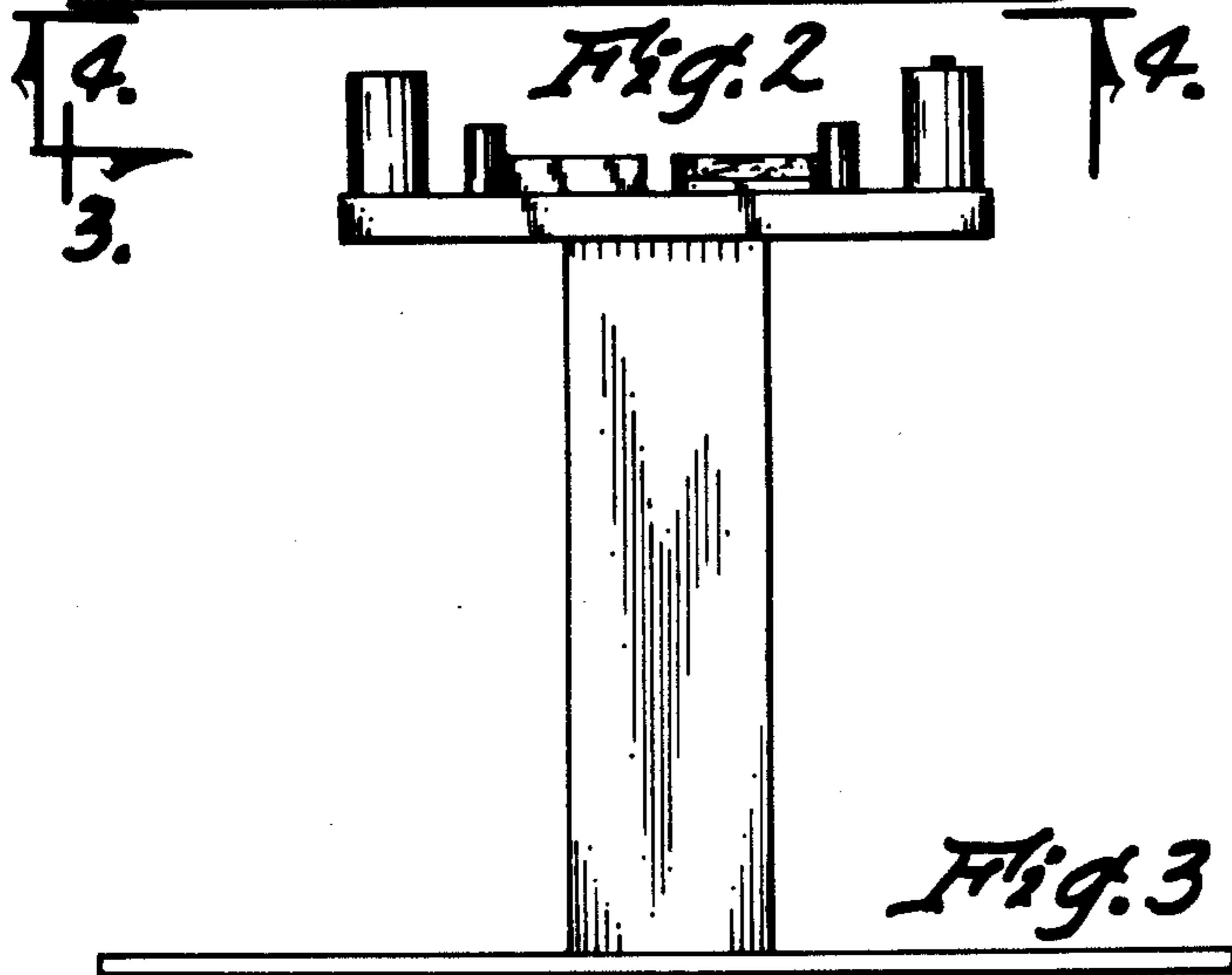
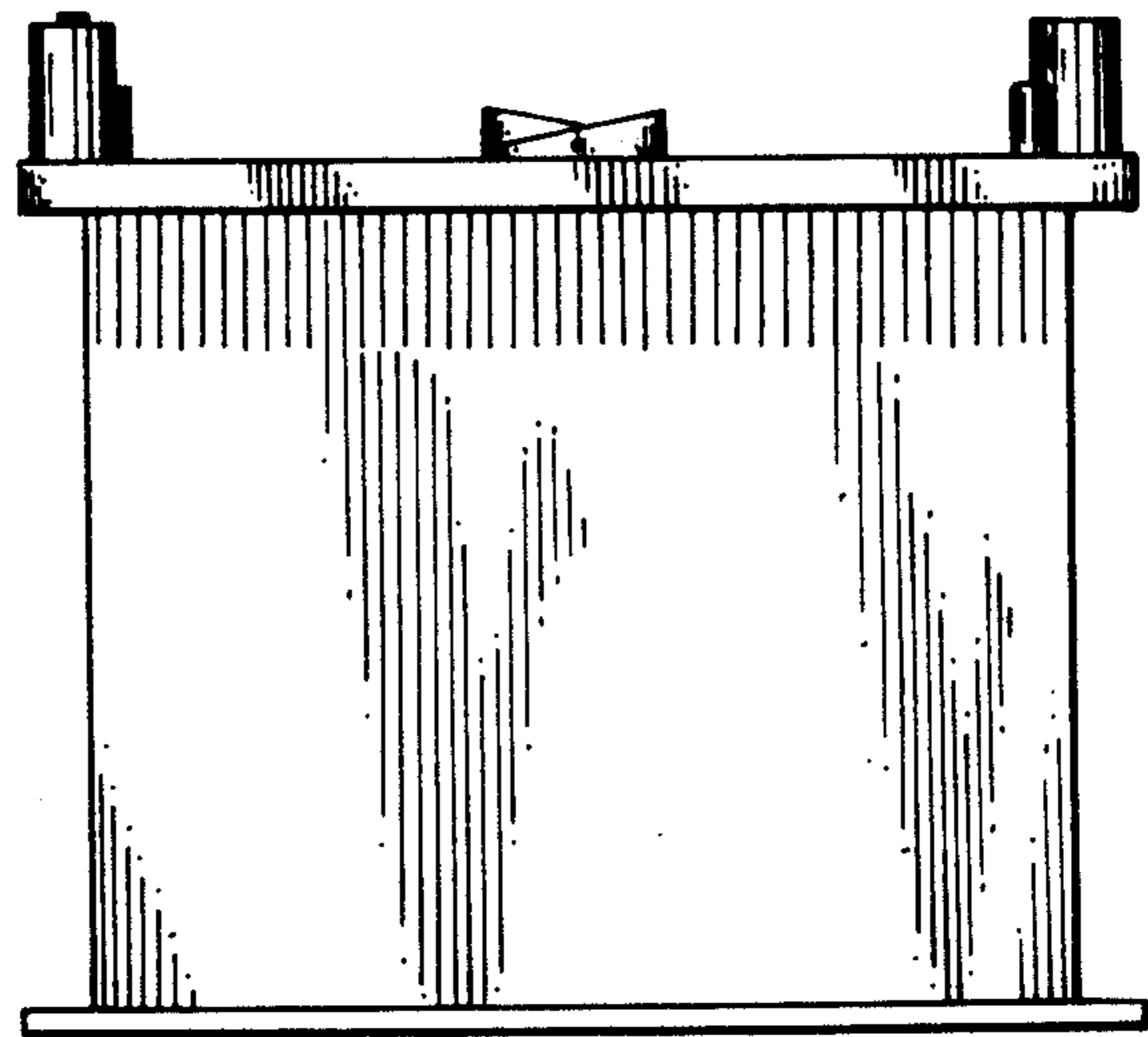
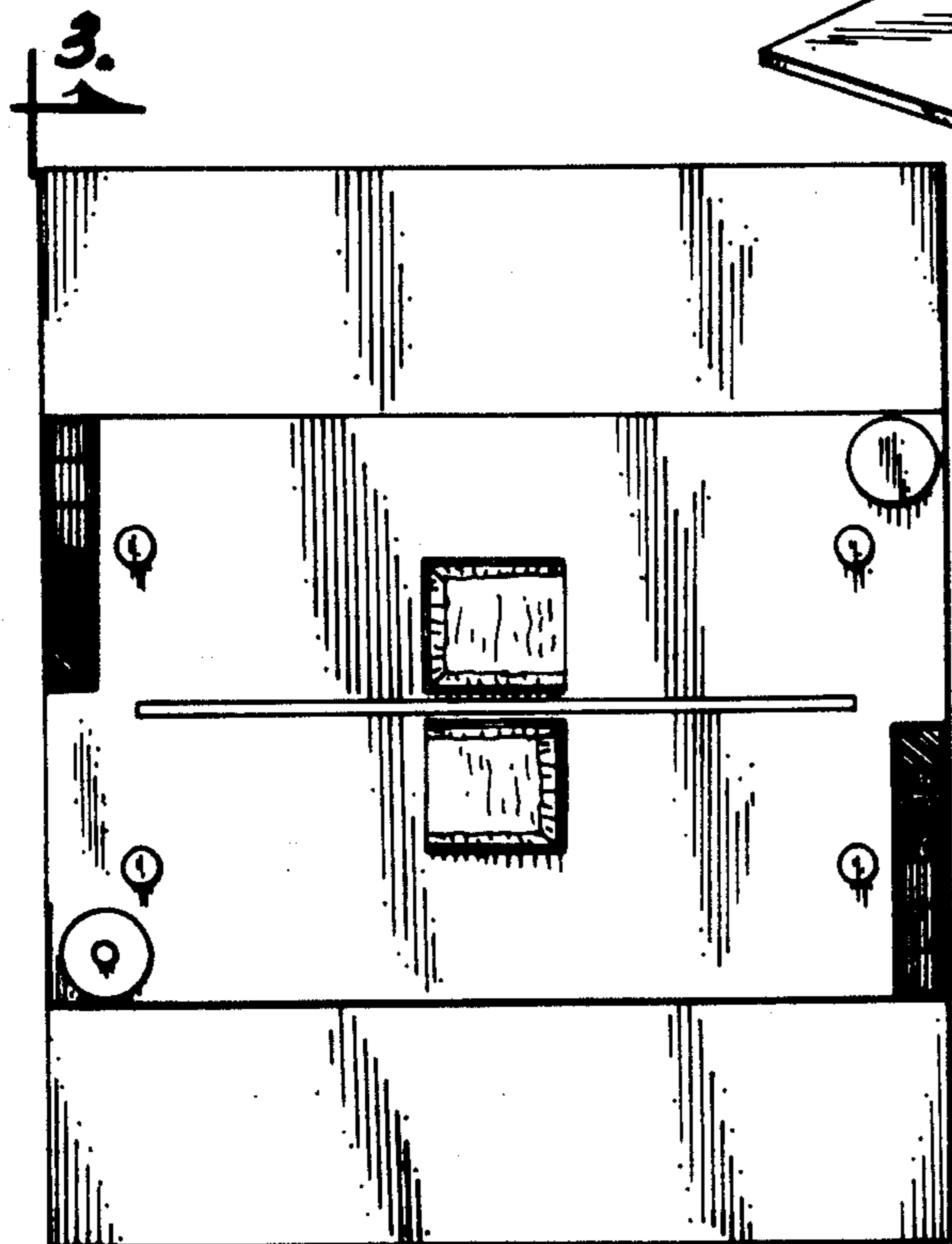
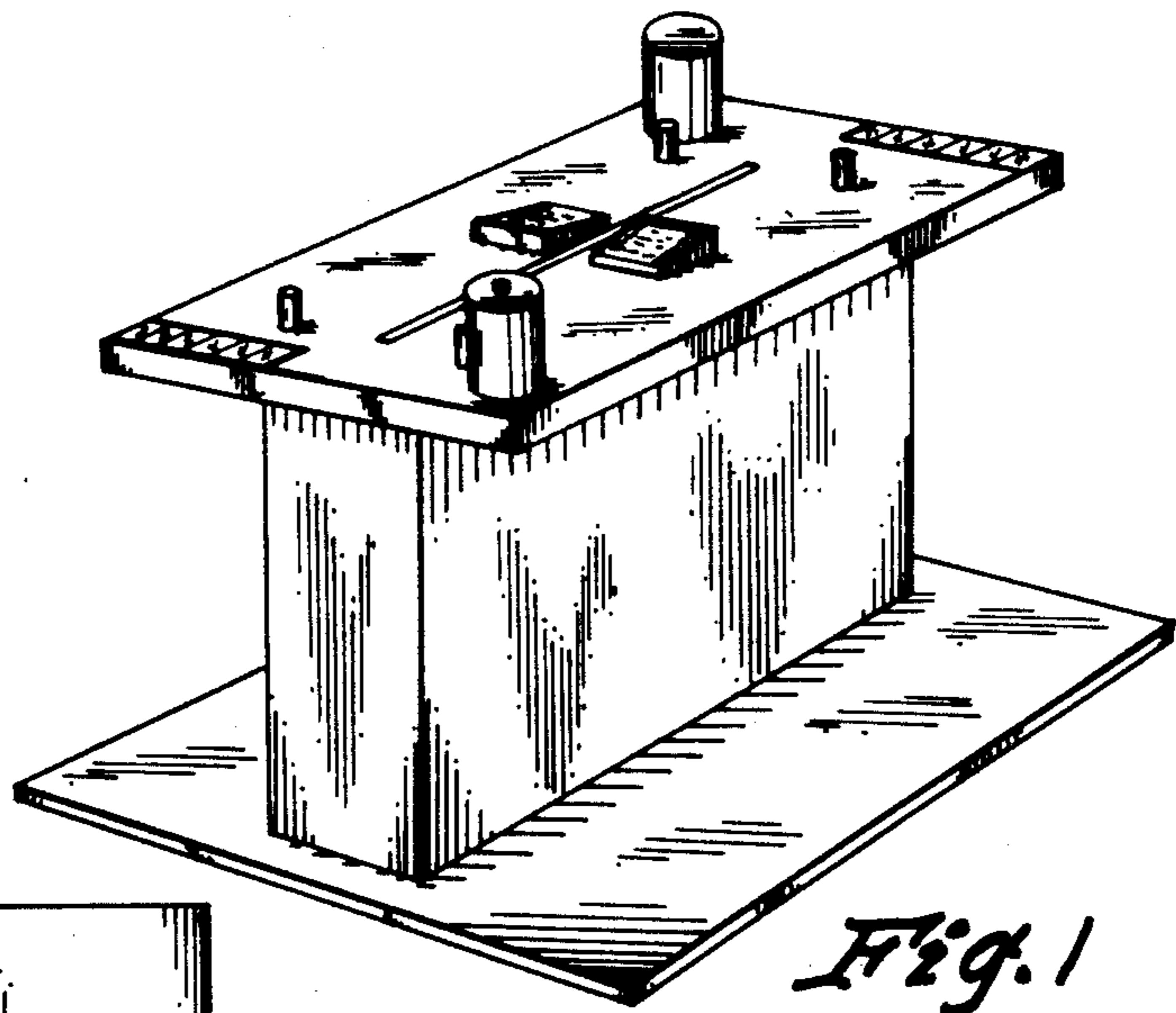


Fig. 2

Fig. 4

Fig. 3