

[54] WHEELED TOY FIGURE

[75] Inventor: Masaru Ogihara, Tokyo, Japan
[73] Assignee: Tomy Kogyo Co., Inc., Tokyo, Japan
[**] Term: 14 Years
[21] Appl. No.: 817,383
[22] Filed: Jul. 20, 1977

[51] Int. Cl. D21-01
[52] U.S. Cl. D21/177
[58] Field of Search D34/15 AD, 4 R; 46/103, 46/104, 105

[56] **References Cited**
FOREIGN PATENT DOCUMENTS
740586 11/1955 United Kingdom 46/105

OTHER PUBLICATIONS

Montgomery Ward Xmas Cat., 1976, p. 339, upper right, item B, Doll.
F. A. O. Schwarz, Xmas 1969-1970, p. 93, top, illustration "C", Football Figure.
Playthings, Mar. 1967, p. 175, "Heewee Quarterback".

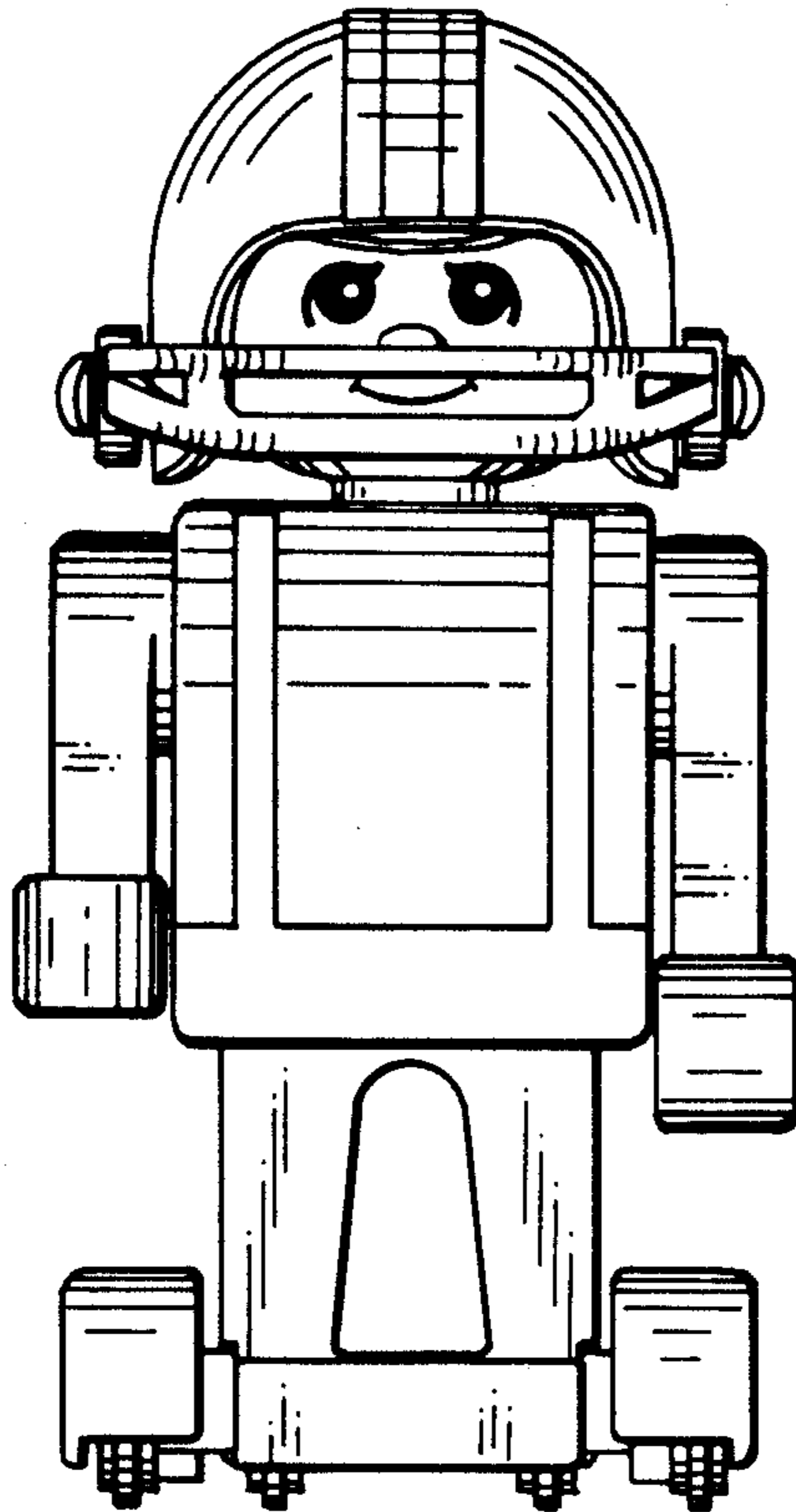
Primary Examiner—Melvin B. Feifer
Attorney, Agent, or Firm—Edward D. O'Brian

[57] CLAIM

The ornamental design for a wheeled toy figure, substantially as shown and described.

DESCRIPTION

FIG. 1 is a front elevational view of a wheeled toy figure embodying my new design;
FIG. 2 is a top plan view thereof;
FIG. 3 is a bottom plan view thereof;
FIG. 4 is a side elevational view of the left hand side thereof;
FIG. 5 is a side elevational view of the right hand side thereof; and
FIG. 6 is a rear elevational view thereof.



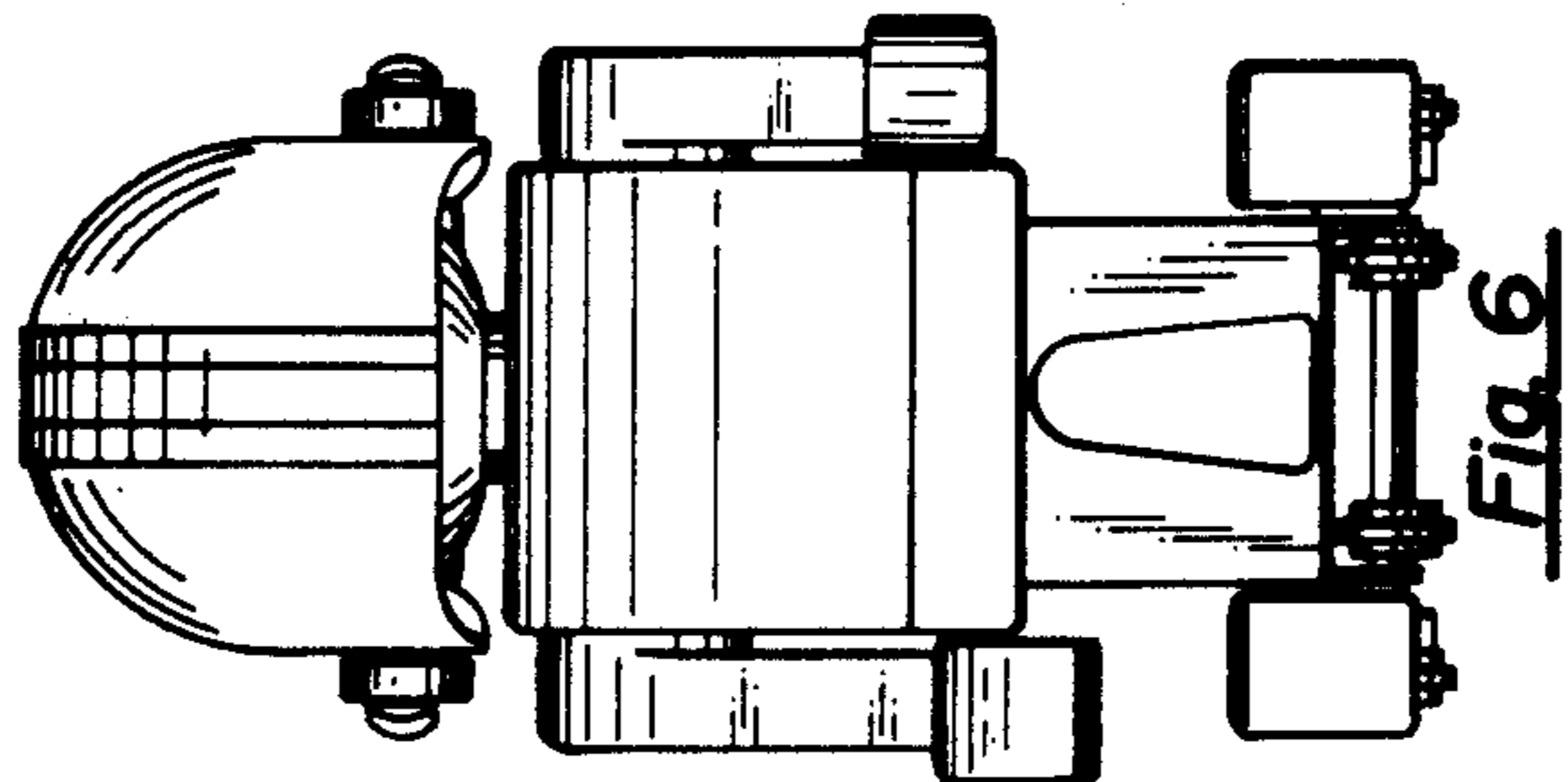
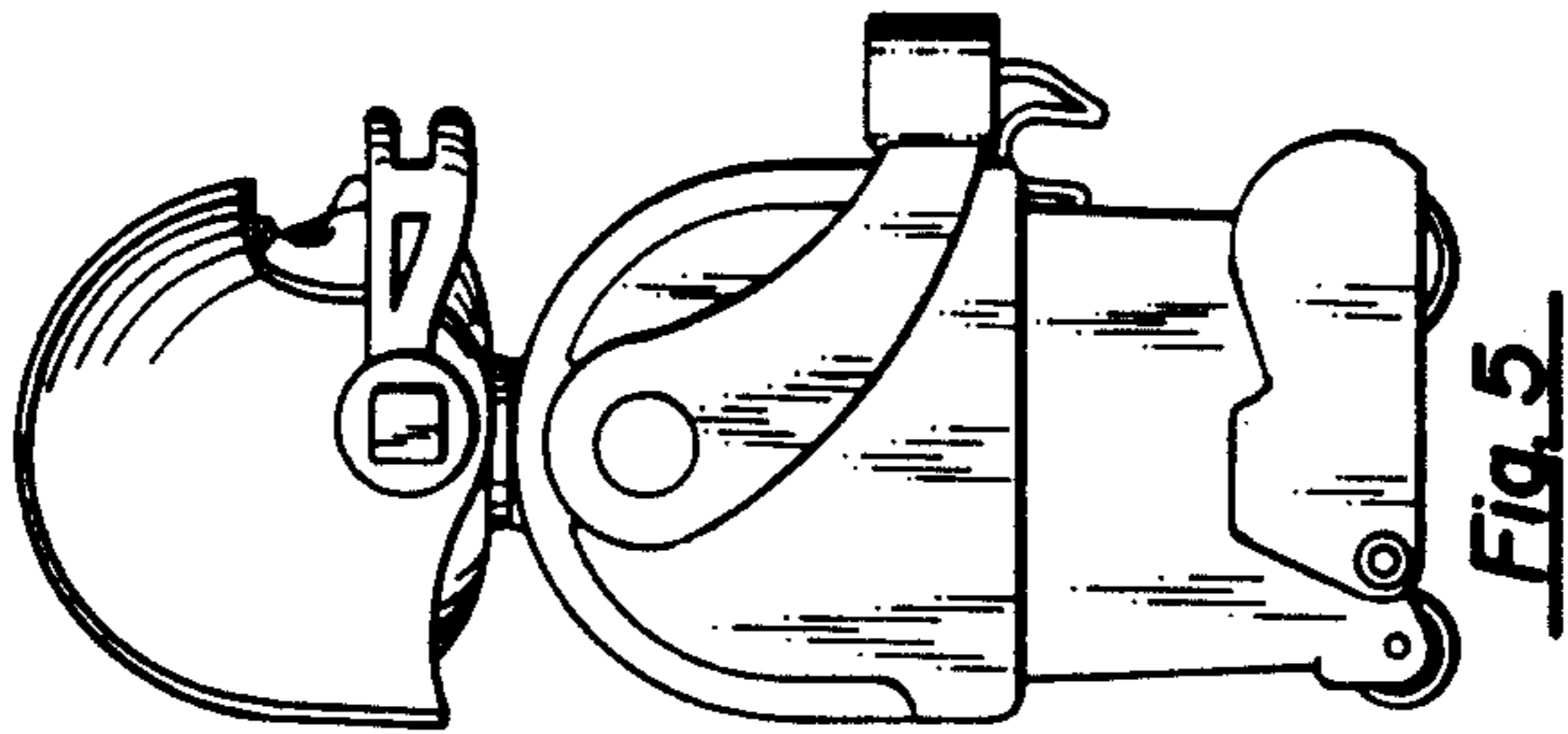
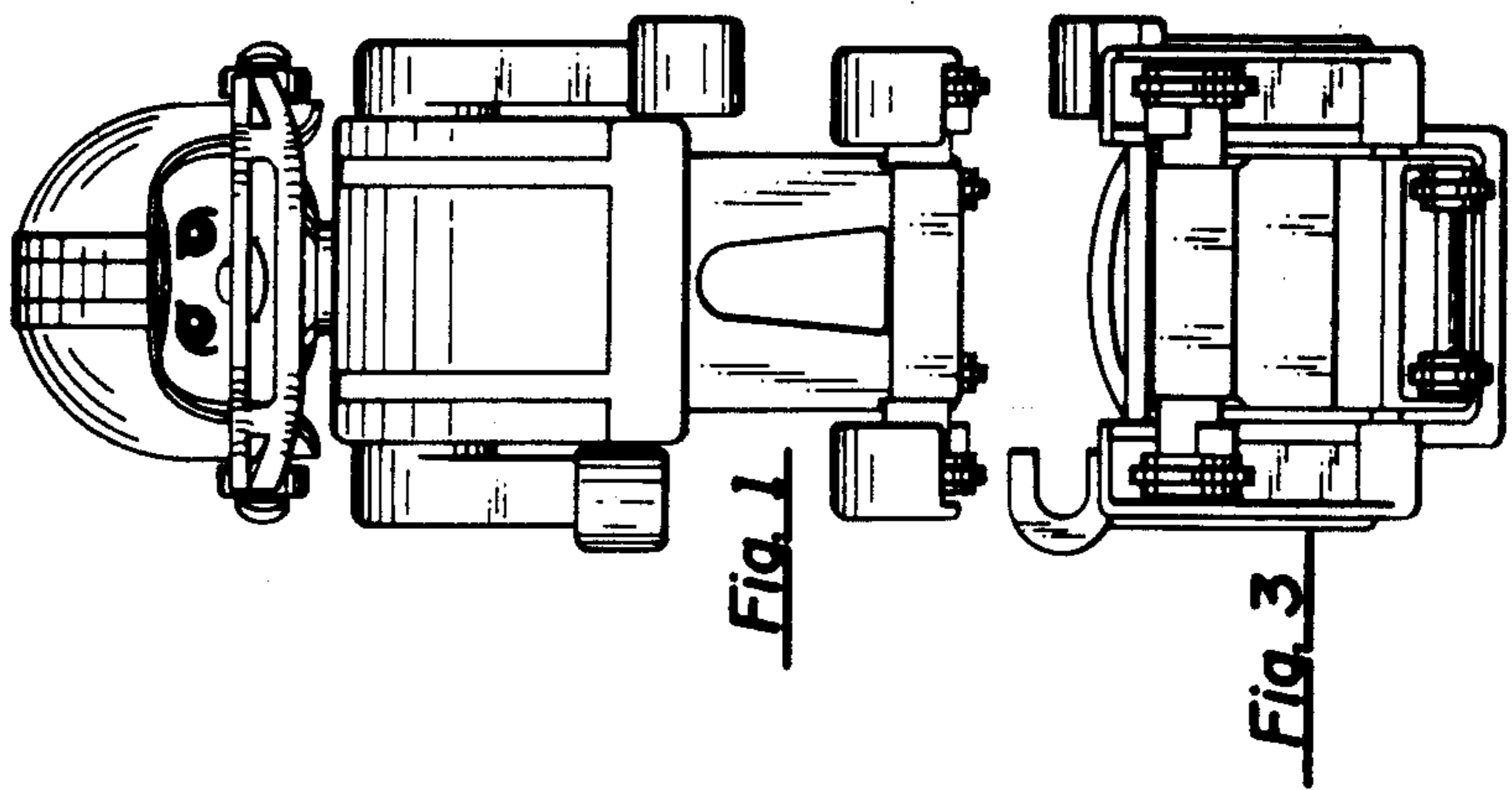
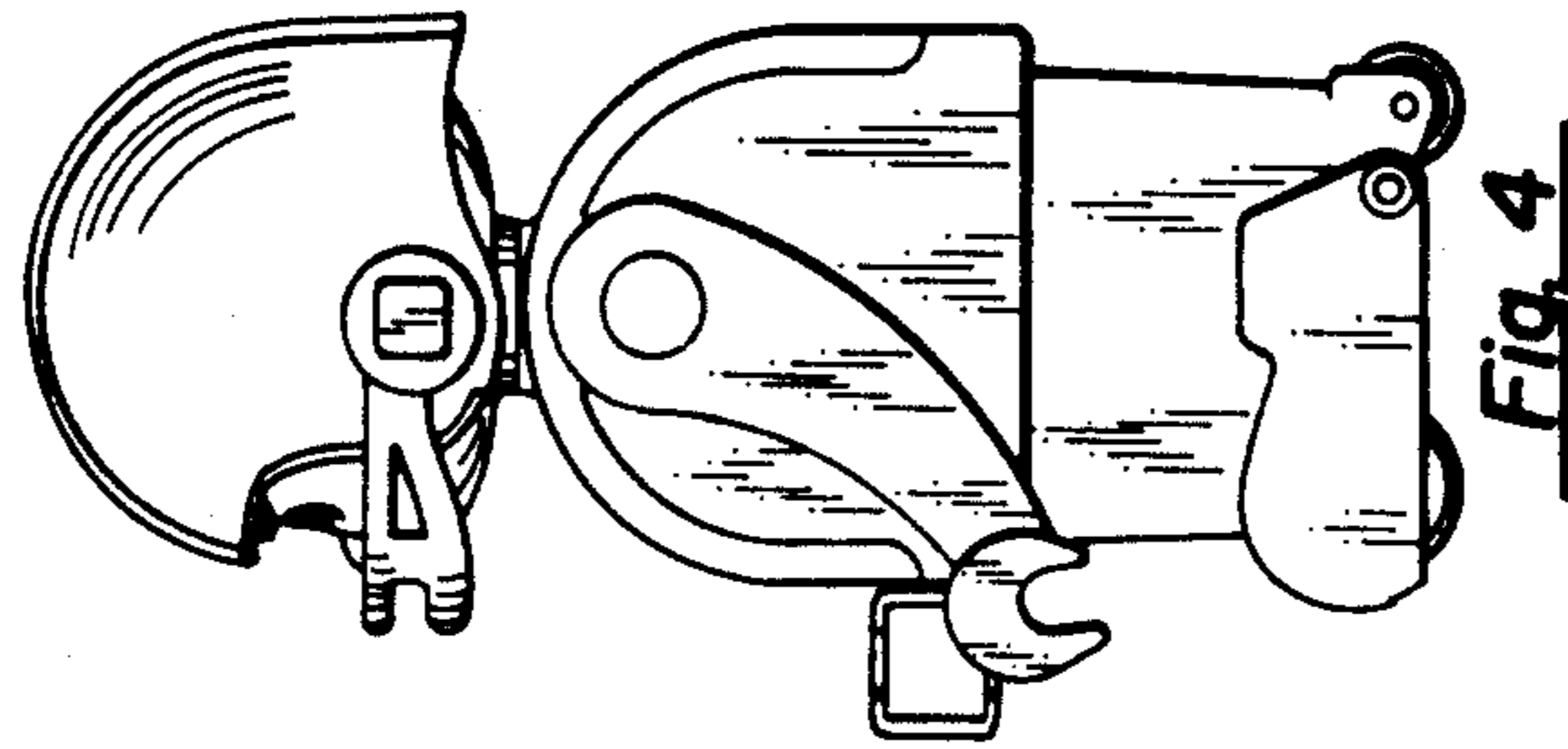
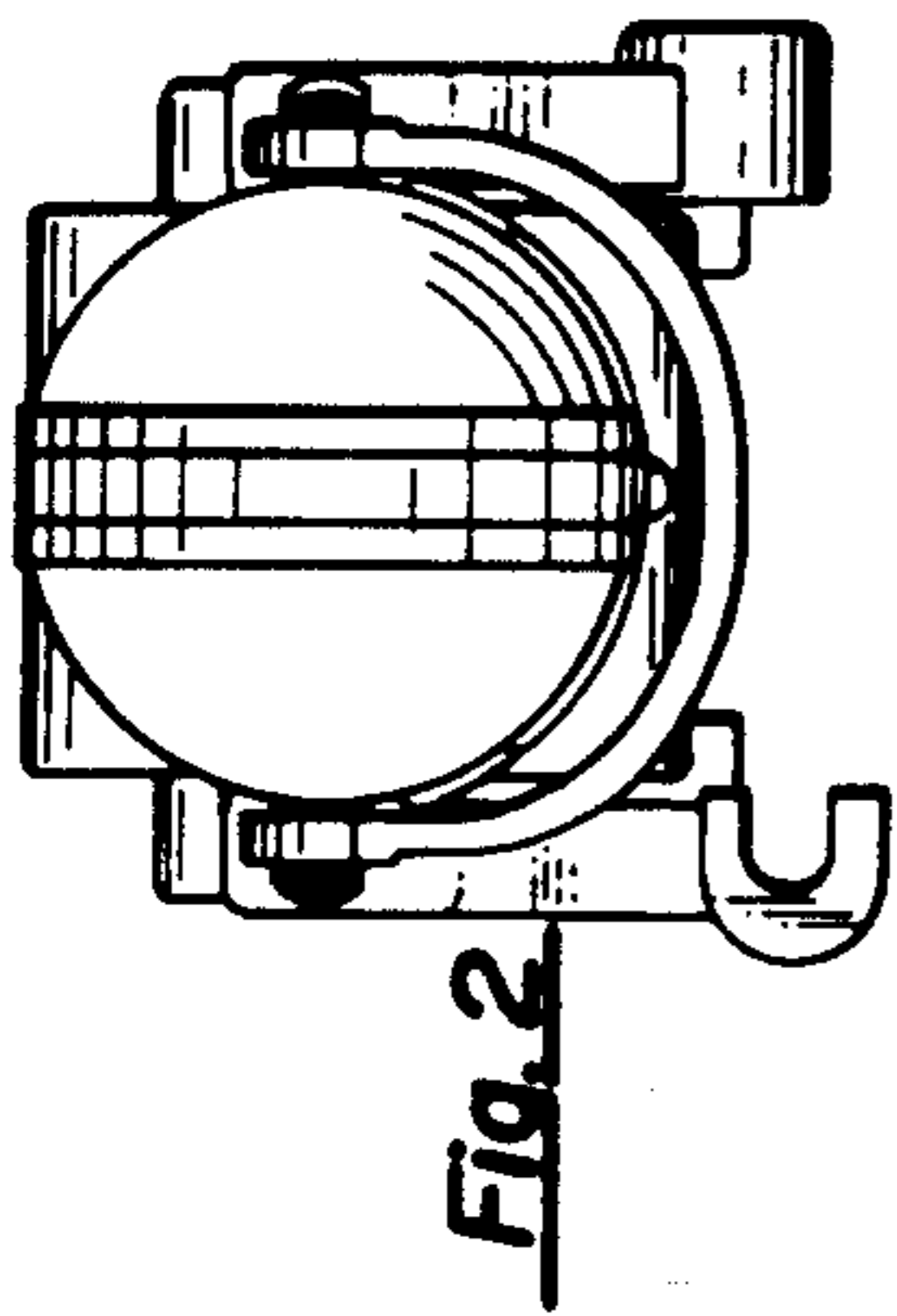


Fig. 3