

[54] LOOM

[76] Inventors: Robert P. Orr; Joan B. Orr; Thomas P. Orr, all of 104 Main St., Tiburon, Calif. 94920

[**] Term: 14 Years

[21] Appl. No.: 884,261

[22] Filed: Mar. 7, 1978

[51] Int. Cl. D15-06

[52] U.S. Cl. D15/66

[58] Field of Search D15/66, 78; 28/149, 28/151, 152; 139/29, 34; 223/120

[56] References Cited

U.S. PATENT DOCUMENTS

2,582,008	1/1952	Clack	139/29
2,696,838	12/1954	Purrington	139/29
4,046,171	9/1977	Wilson	28/151

FOREIGN PATENT DOCUMENTS

671980	9/1929	France	139/34
--------	--------	--------------	--------

OTHER PUBLICATIONS

Handweaver and Craftsman Fall 1964, p. 29, "Convertible Medico-S".

Primary Examiner—Joel Stearman
Assistant Examiner—Carmen H. Vales
Attorney, Agent, or Firm—Owen, Wickersham & Erickson

[57] CLAIM

The ornamental design for a loom, substantially as shown.

DESCRIPTION

FIG. 1 is a perspective view of a loom showing our new design.

FIG. 2 is a top plan view thereof on a reduced scale.

FIG. 3 is a front elevational view thereof.

FIG. 4 is a side elevational view thereof taken from the left of FIG. 2.

FIG. 5 is a rear elevational view thereof; and

FIG. 6 is a side elevational view thereof taken from the right of FIG. 2.

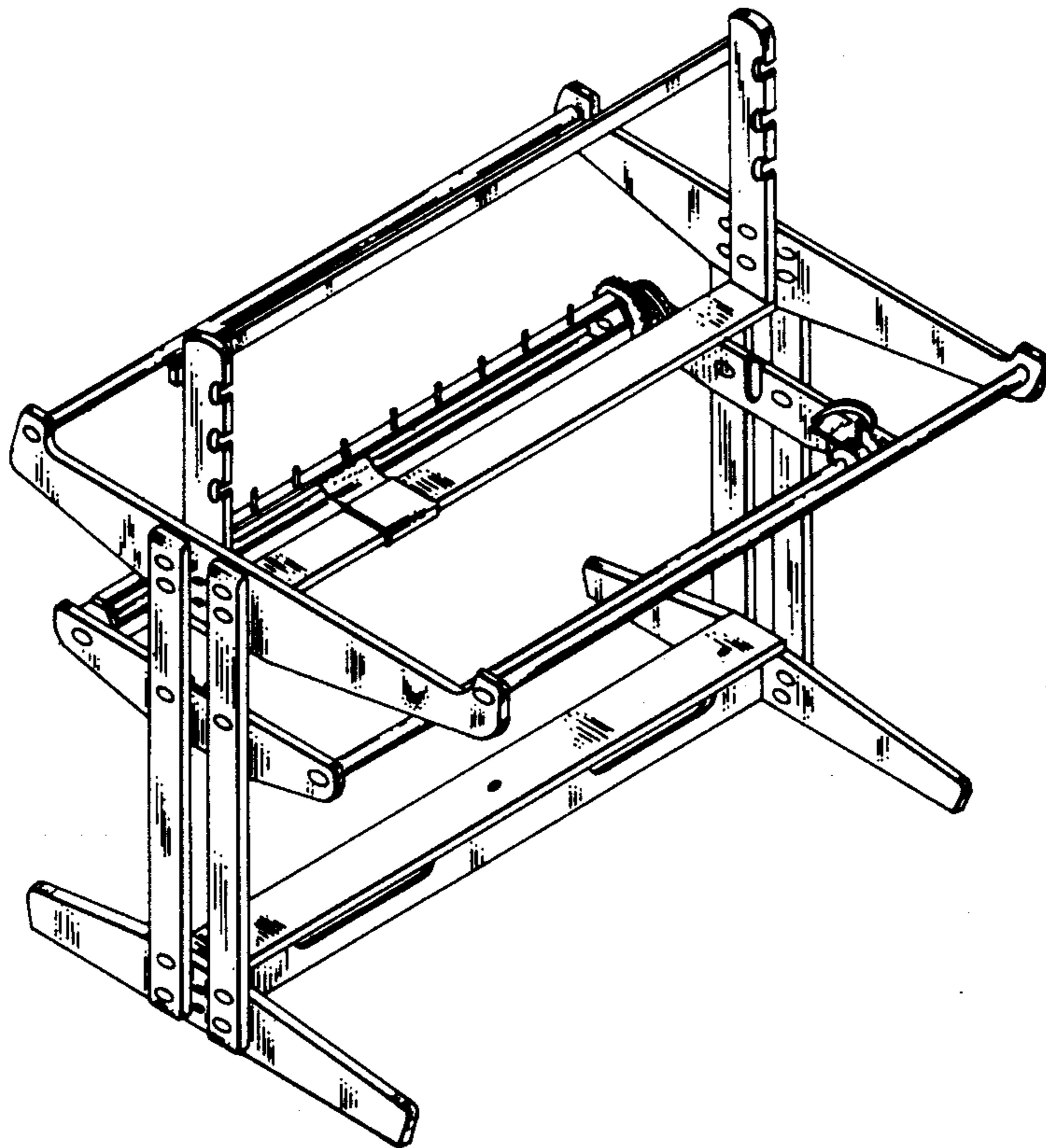


FIG. 1

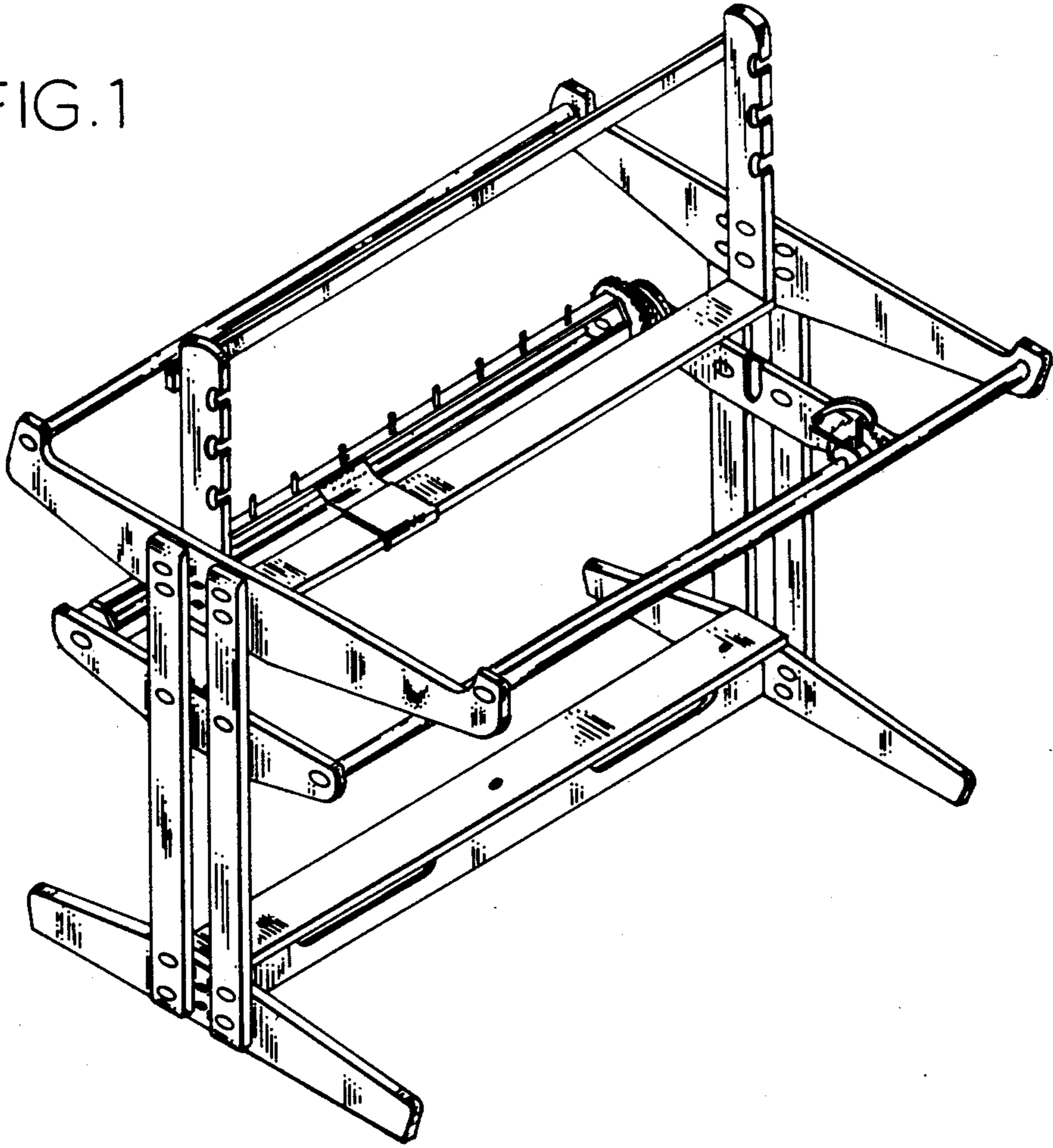


FIG. 2

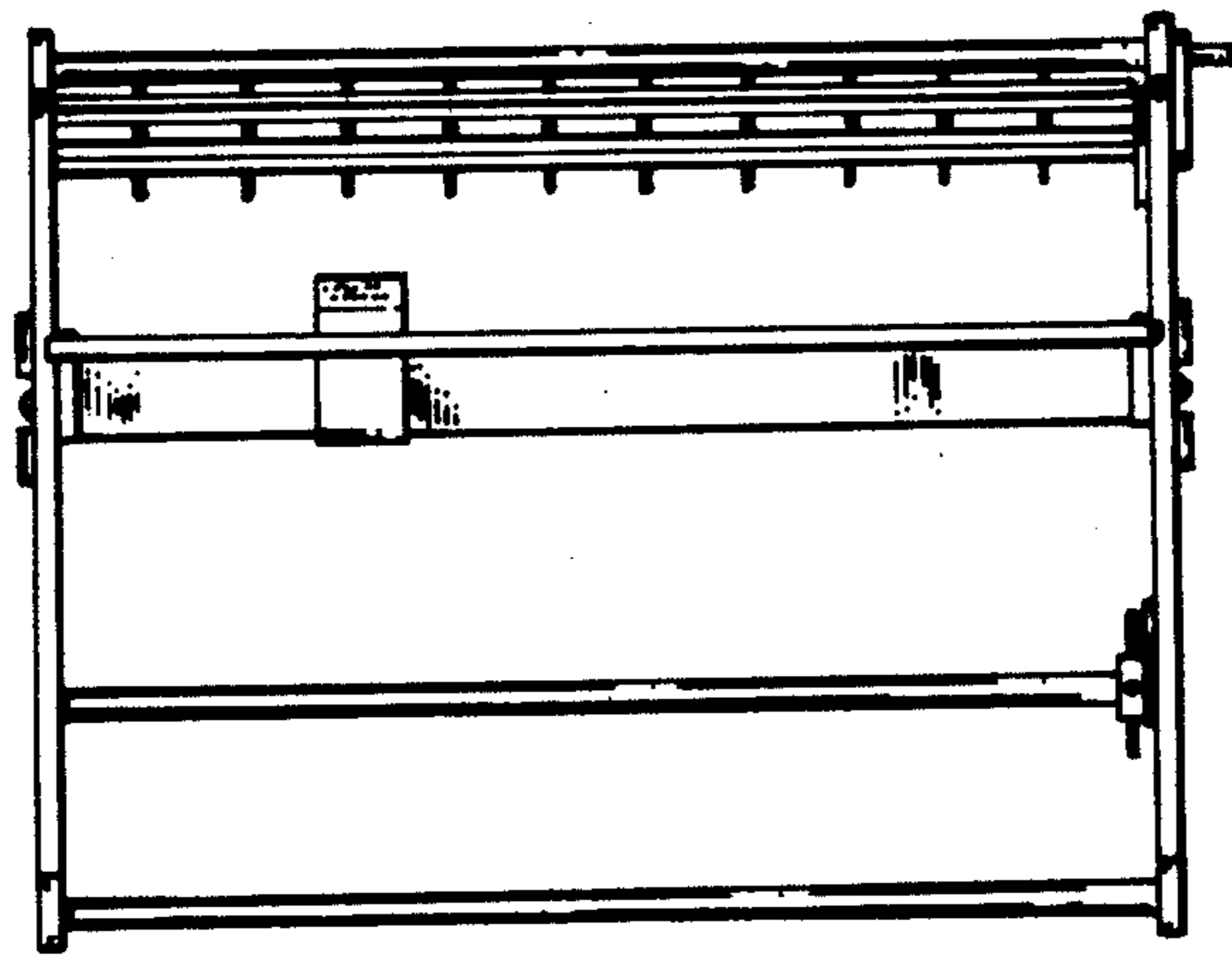


FIG.3

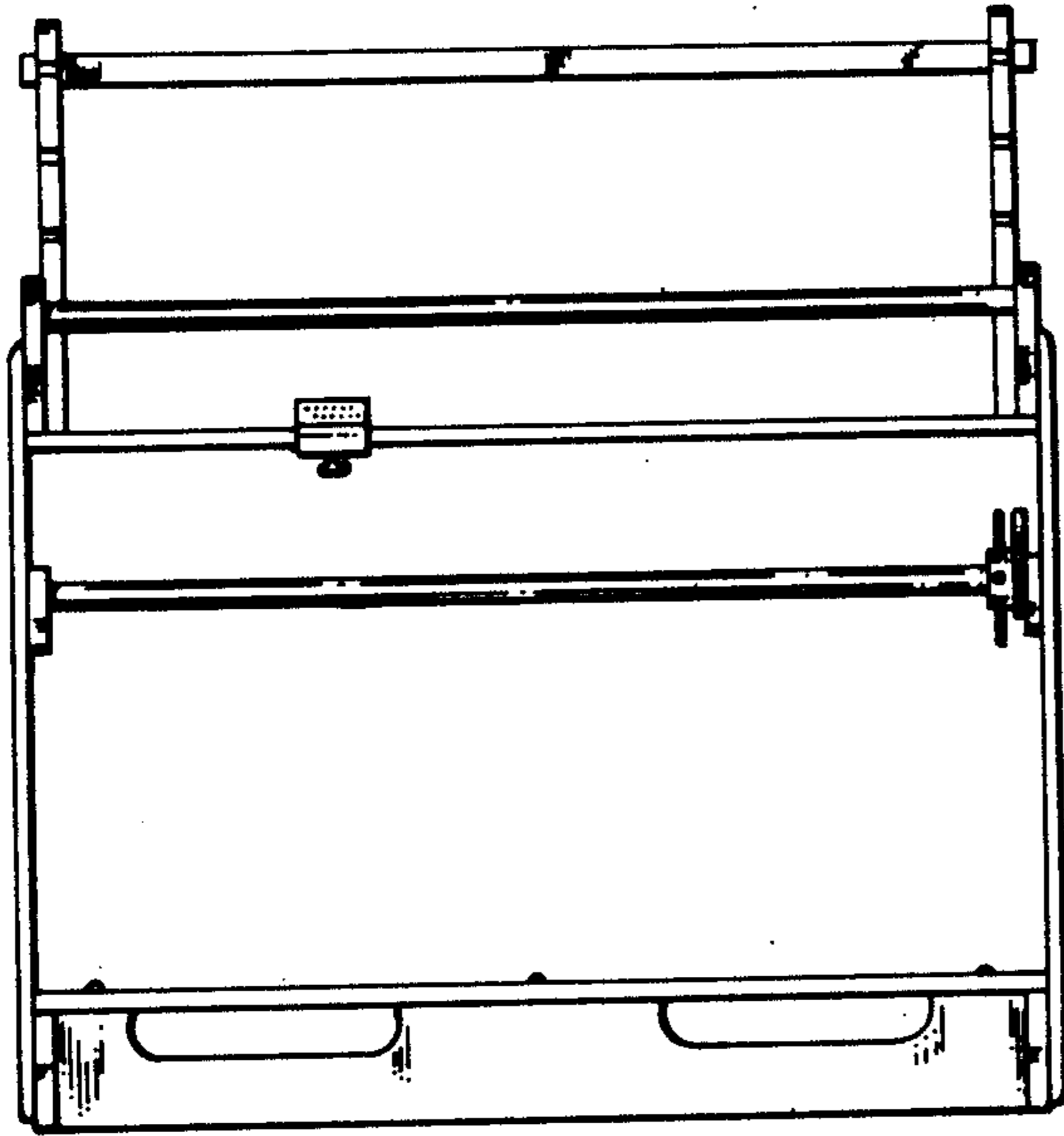


FIG.4

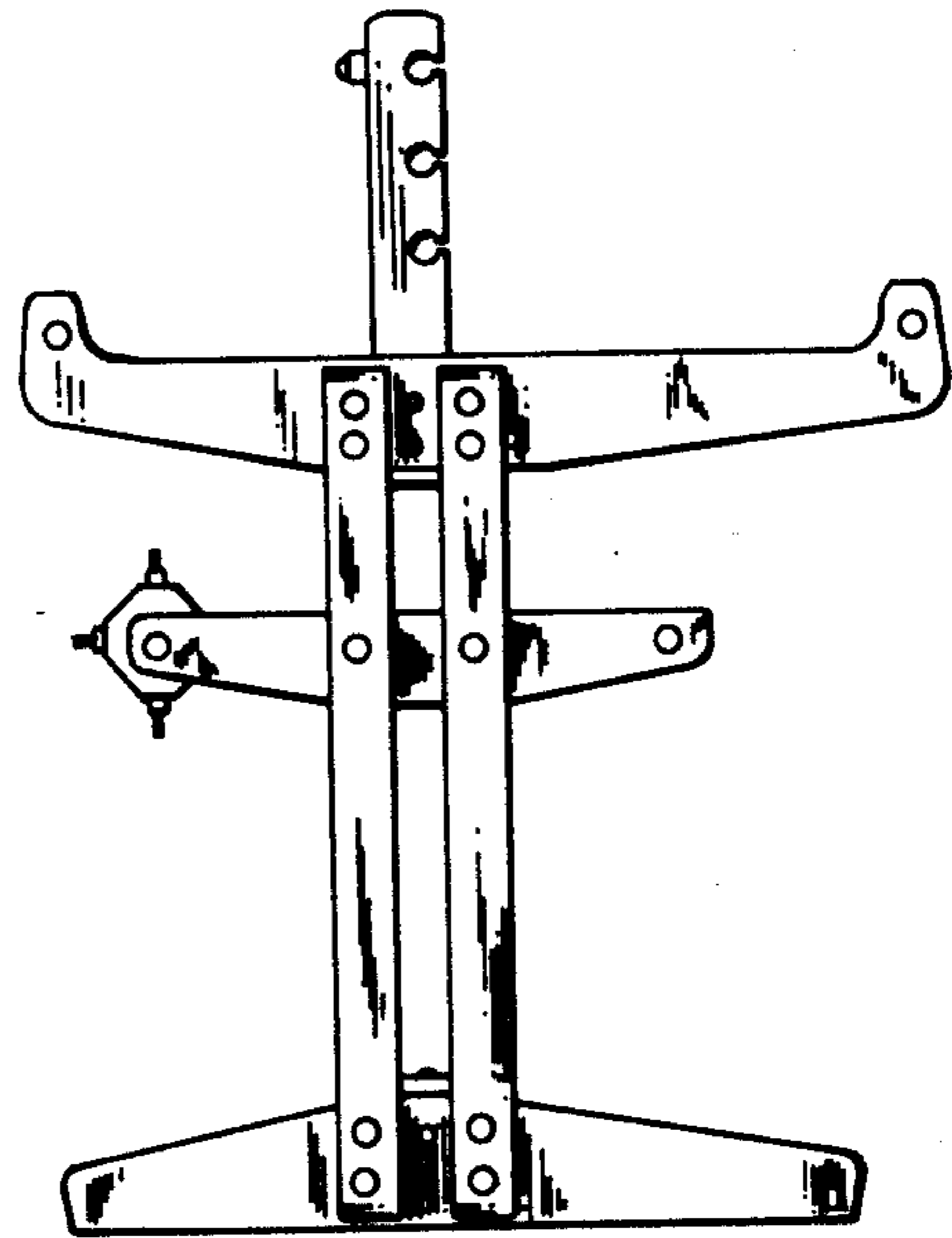


FIG.5

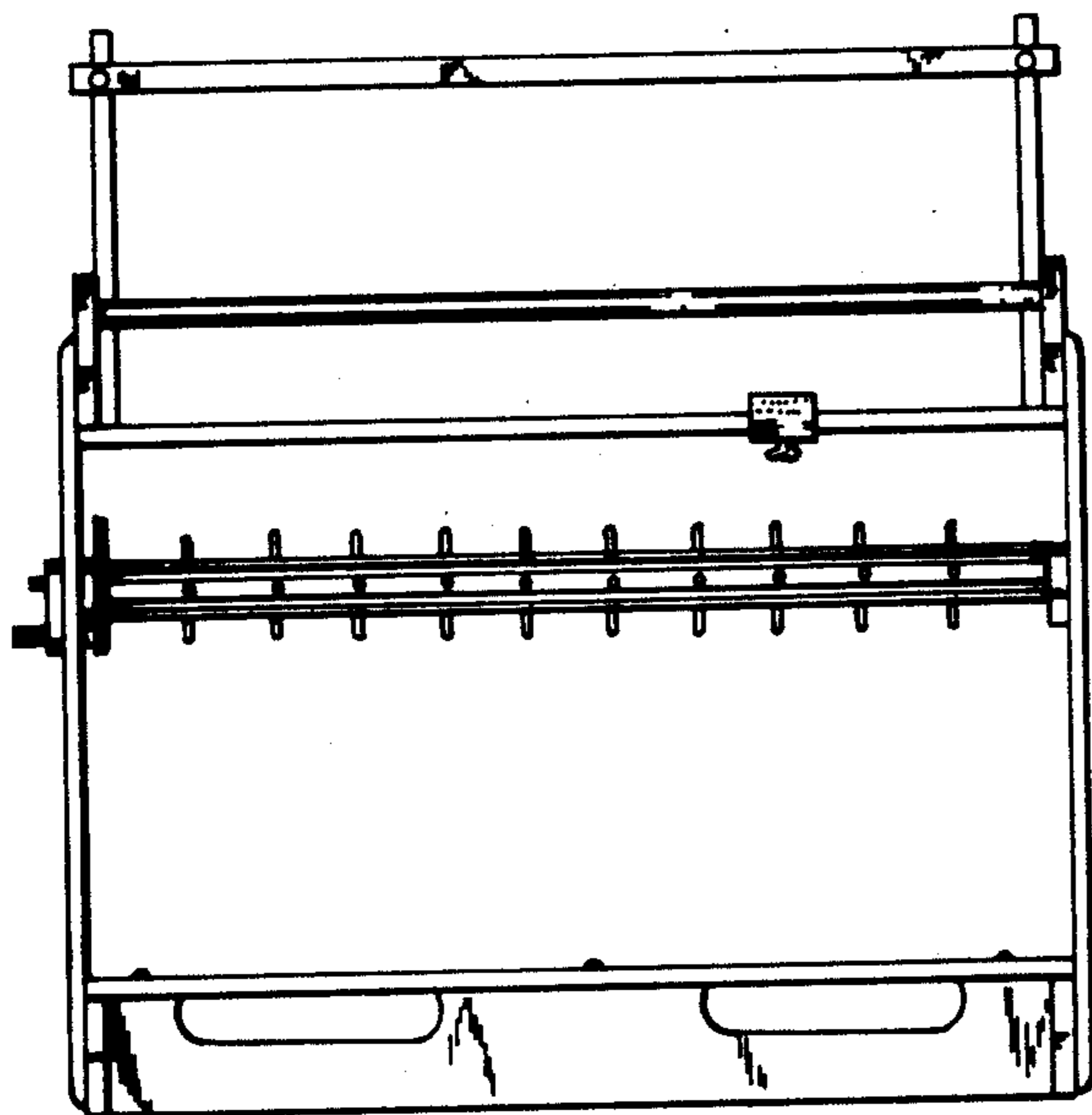


FIG.6

