

[54] AUTOMATIVE ENGINE HEAT EXCHANGER

[76] Inventor: Gregory W. Bailey, Box 12, Rock Hall Rd., Rock Hall, Conn. 06021

[**] Term: 14 Years

[21] Appl. No.: 857,353

[22] Filed: Dec. 2, 1977

[51] Int. Cl. D15-1

[52] U.S. Cl. D15/5

[58] Field of Search D15/5; 123/122 D; 60/320, 321; 165/52, 51

[56] References Cited

U.S. PATENT DOCUMENTS

2,475,552	7/1949	Luhrs	165/52
3,972,313	8/1976	Marsee	165/52

FOREIGN PATENT DOCUMENTS

1028718	2/1953	France	165/52
---------	--------	--------------	--------

Primary Examiner—James M. Gandy
Attorney, Agent, or Firm—Peter L. Costas

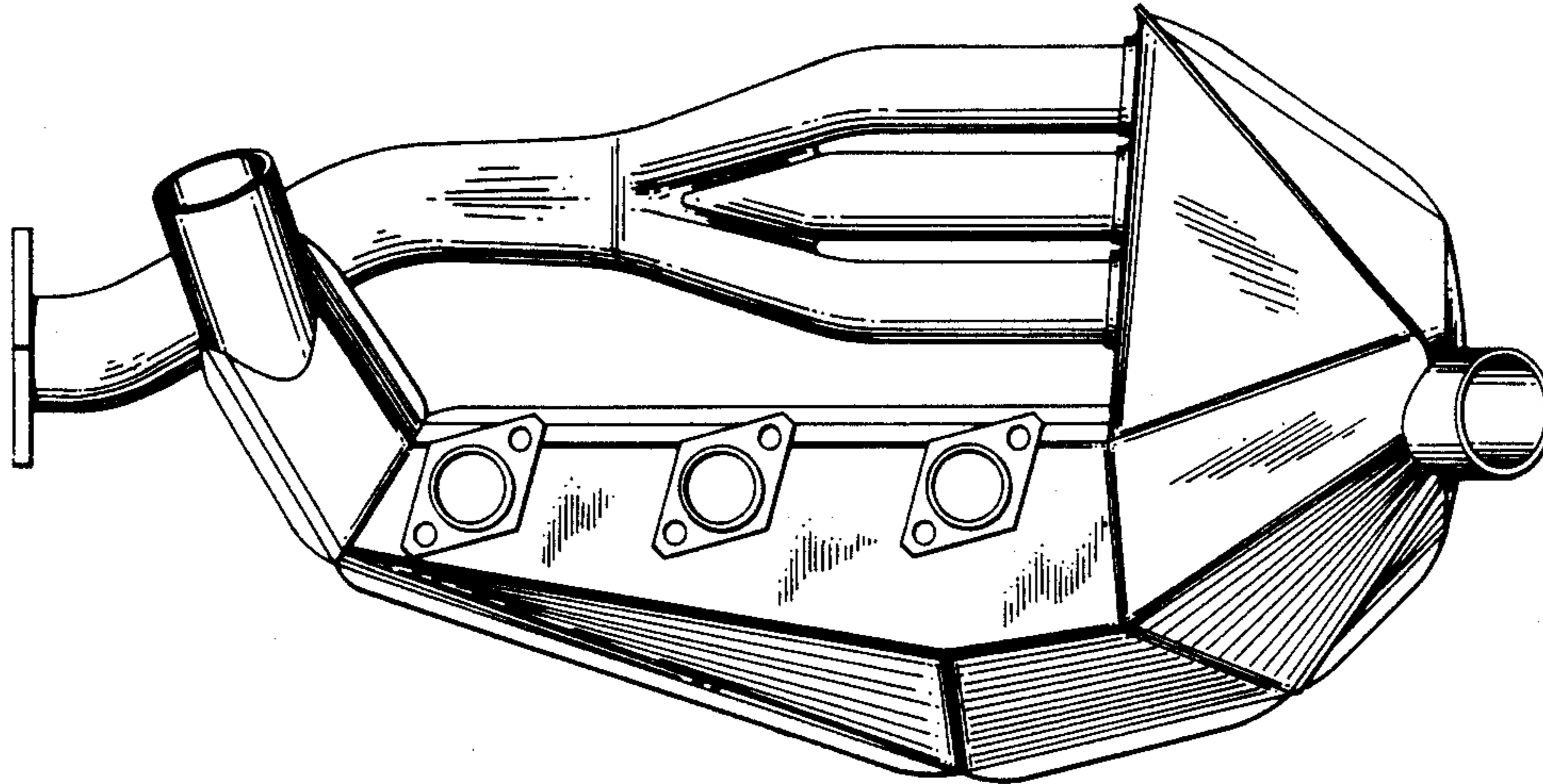
[57] CLAIM

The ornamental design for an automotive engine heat exchanger, as shown and described.

DESCRIPTION

FIG. 1 is a top plan view of an automotive engine heat exchanger showing my new design; FIG. 2 is a right side elevational view thereof; FIG. 3 is a bottom plan view thereof; FIG. 4 is a left side elevational view thereof; FIG. 5 a front elevational view thereof; and FIG. 6 is a rear elevational view thereof.

The heat exchanger is adapted to be mounted to the underside of an automotive engine in pairs as best illustrated in FIG. 6, it being understood that the broken line showing of the engine in FIGS. 2, 4 and 6 and the second heat exchanger in FIG. 6 are for illustrative purposes only.



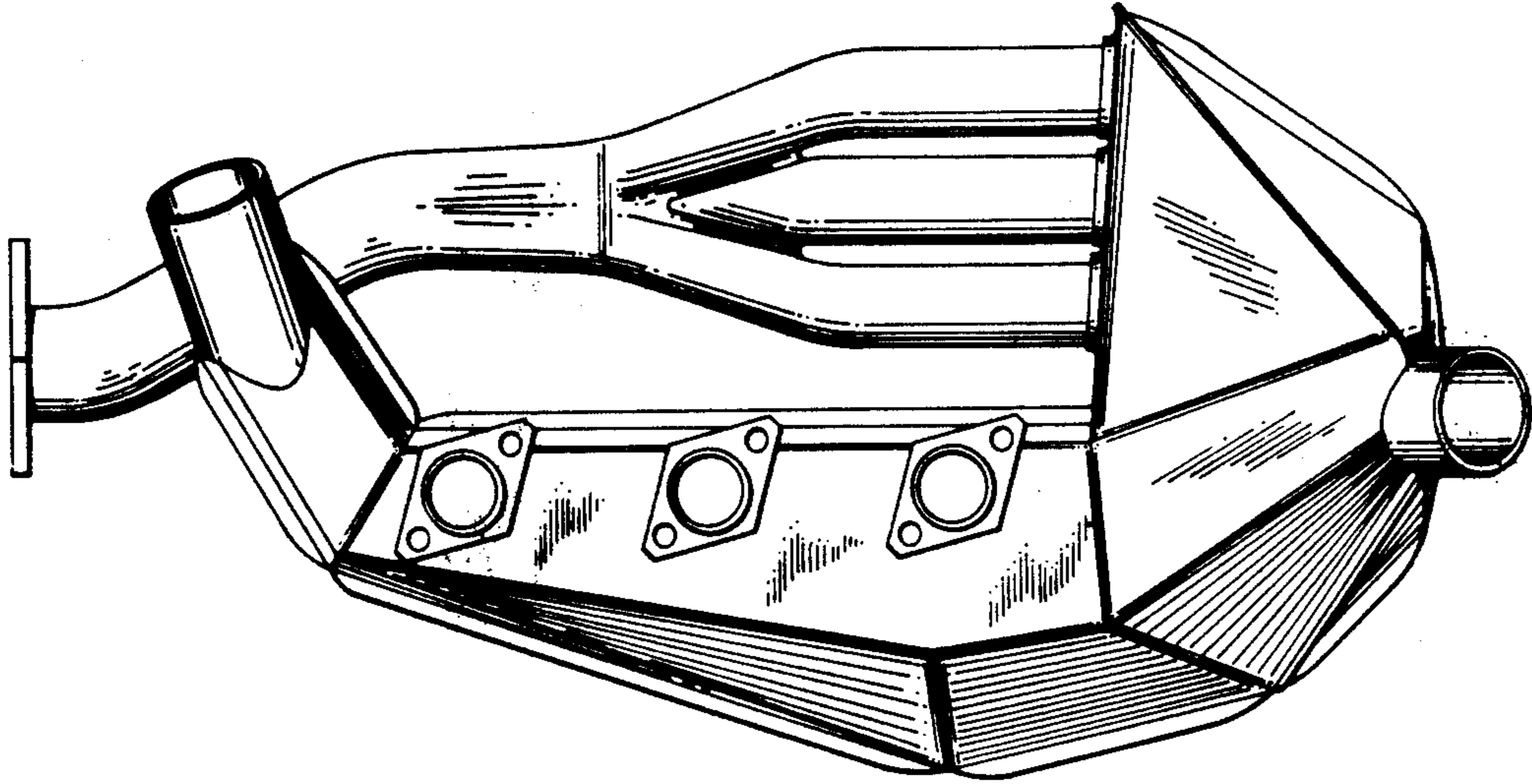


FIG. 1

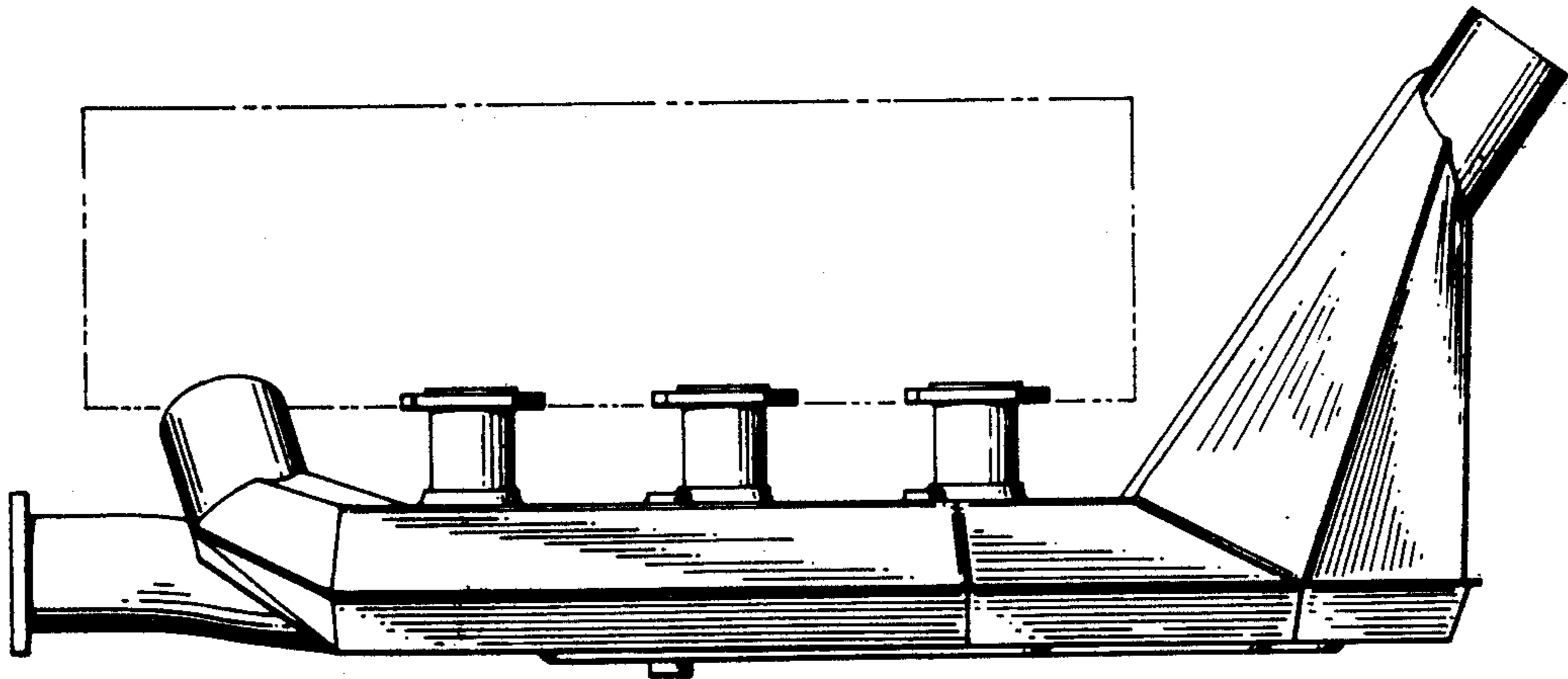


FIG. 2

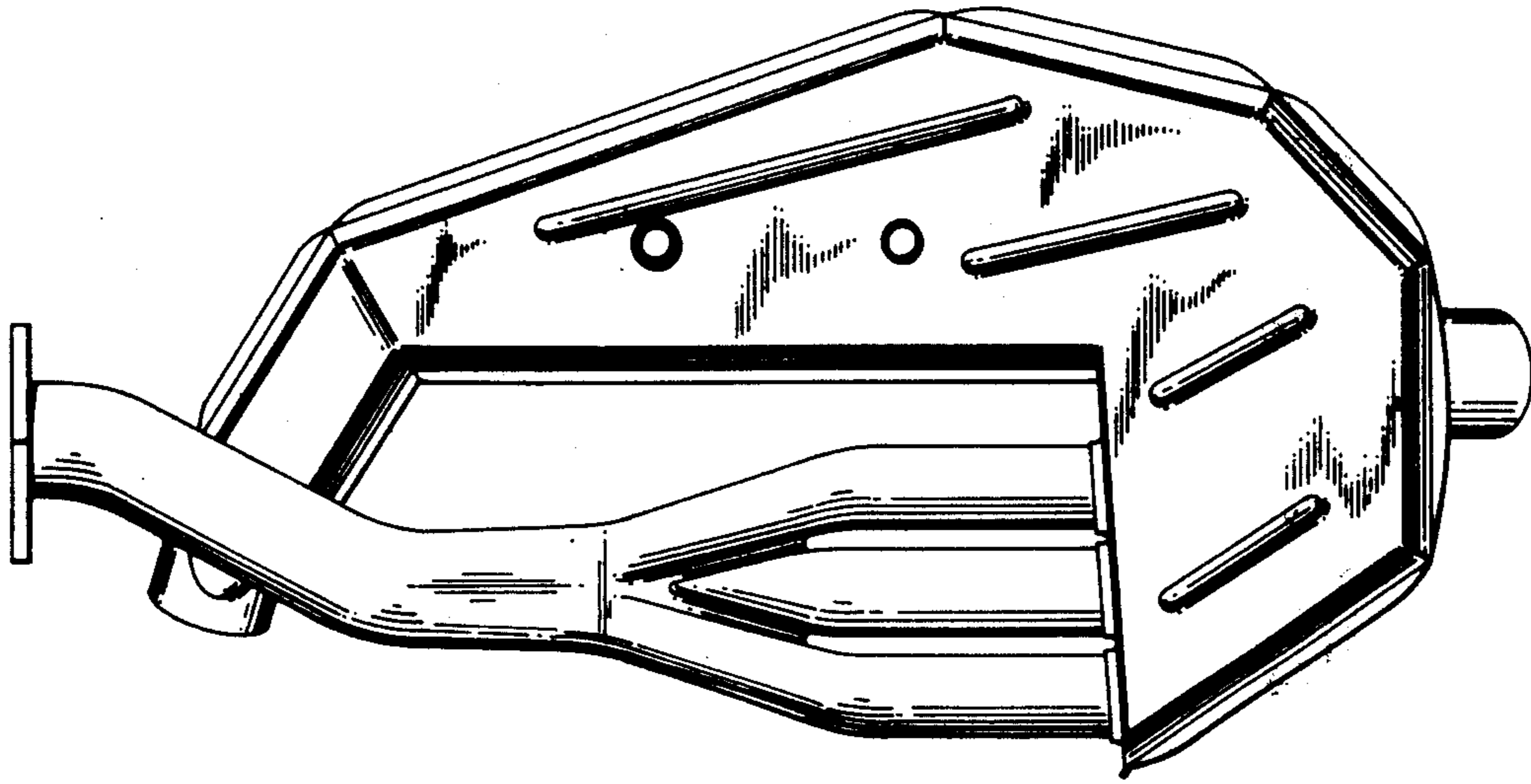


FIG. 3

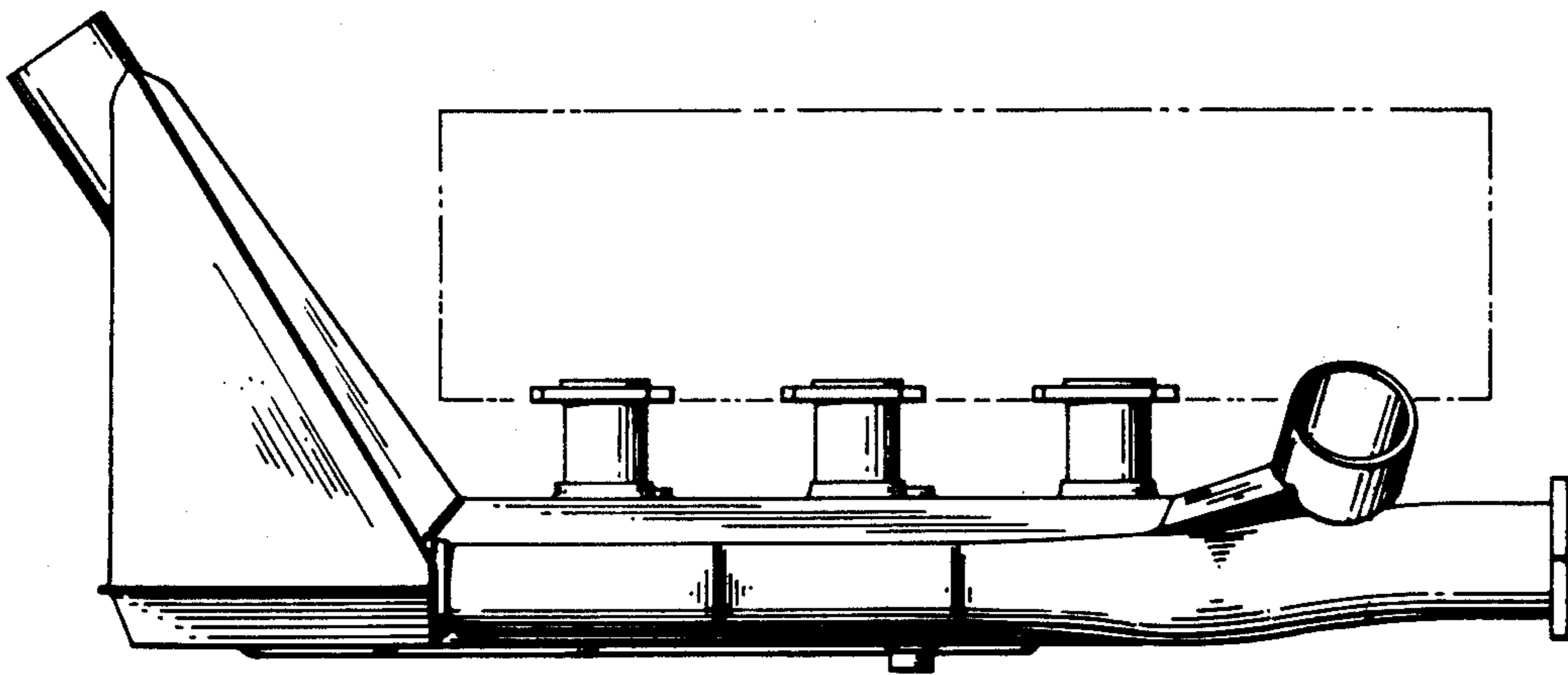


FIG. 4

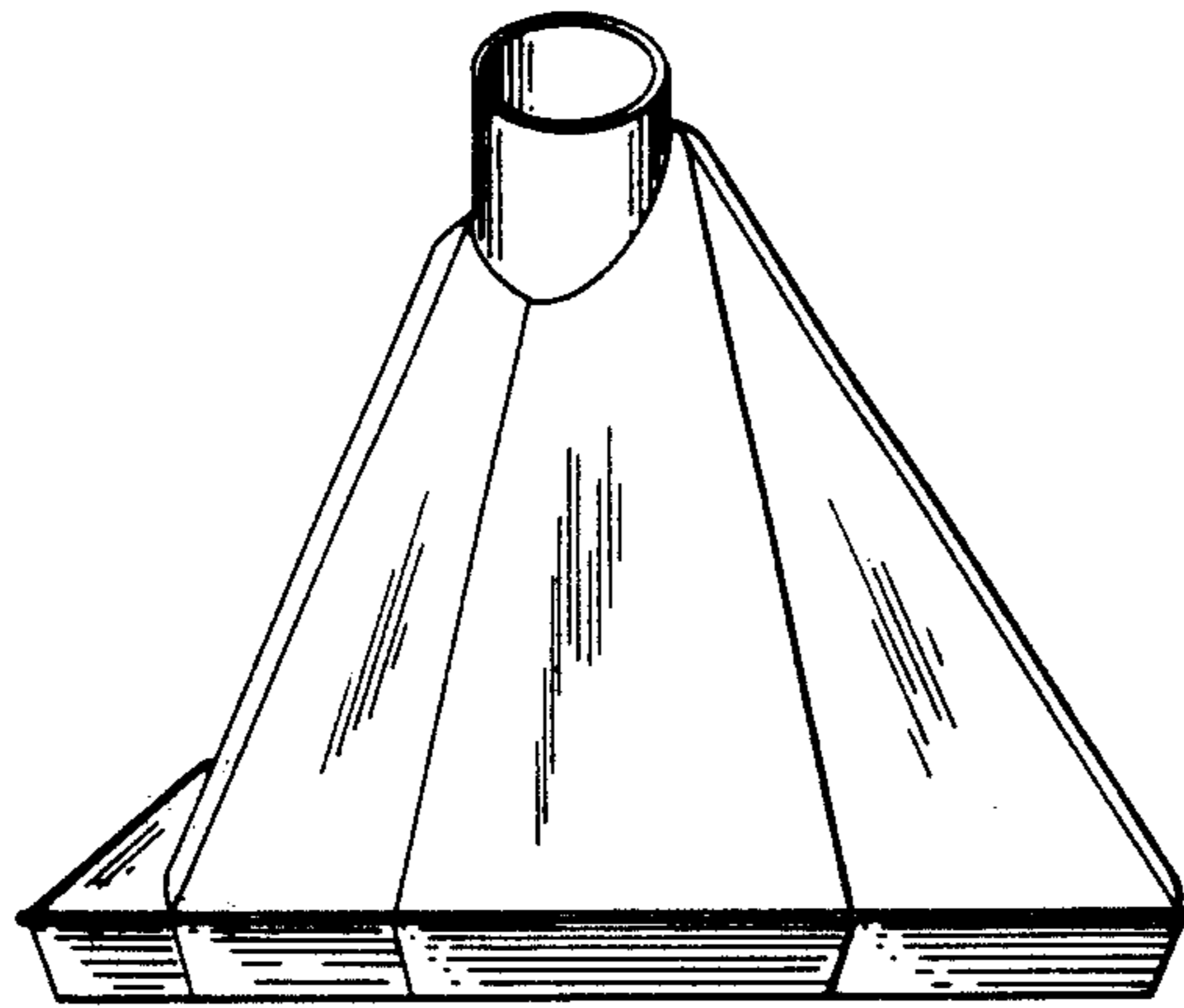


FIG. 5

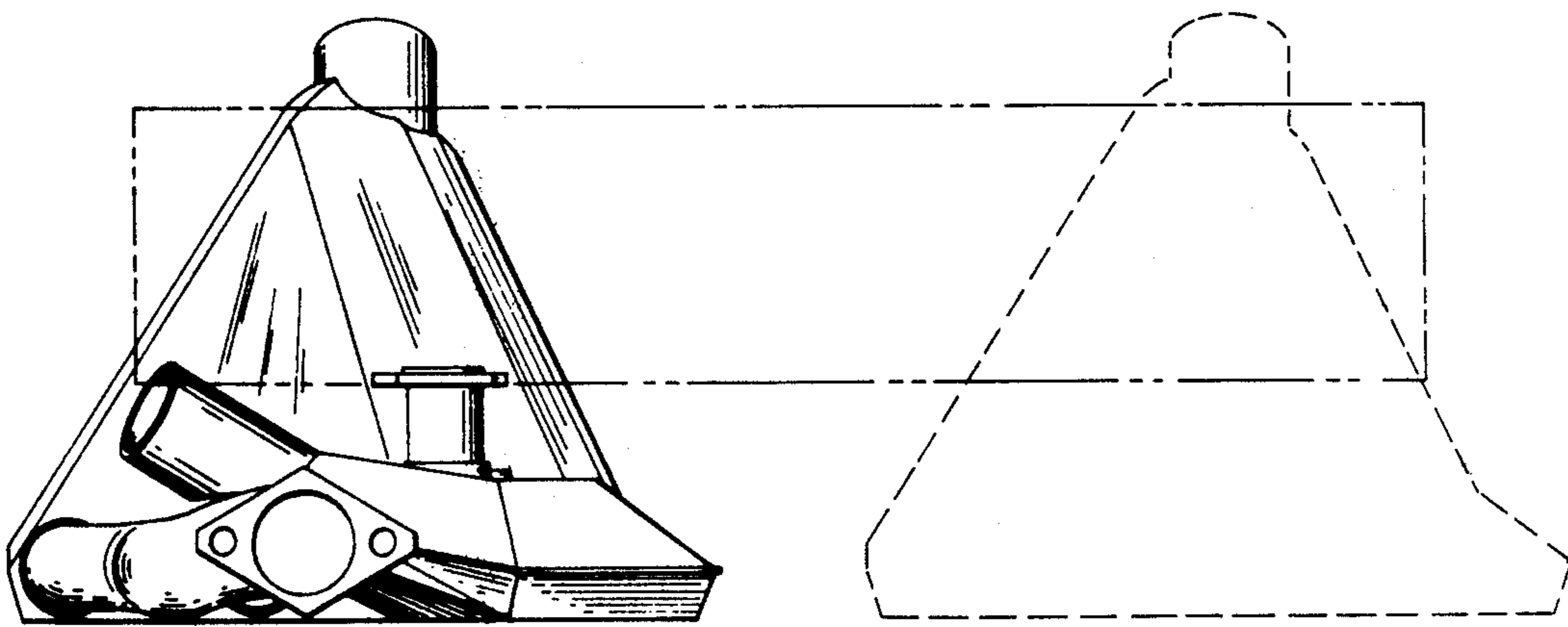


FIG. 6