

[54] ELECTRONIC BUZZER OR SIMILAR ARTICLE

[75] Inventor: Yoshio Mitumori, Shizuoka, Japan

[73] Assignee: Star Seimitsu Kabushiki Kaisha, Shizuoka, Japan

[\*\*] Term: 14 Years

[21] Appl. No.: 862,960

[22] Filed: Dec. 21, 1977

[51] Int. Cl. .... D10-06

[52] U.S. Cl. .... D10/116

[58] Field of Search ..... D10/116, 121; 340/384 R, 384 E, 388, 391, 392, 400, 402, 404, 405; 116/141, 142, 147, 152, 137

[56] References Cited

U.S. PATENT DOCUMENTS

3,760,411	9/1973	Youhanaian .....	340/388
3,879,726	4/1975	Sweany .....	340/384 E

Primary Examiner—Susan J. Lucas  
Attorney, Agent, or Firm—John Clarke Holman

[57] CLAIM

The ornamental design for an electronic buzzer or similar article, as shown and described.

DESCRIPTION

FIG. 1 is a perspective view of an electronic buzzer or similar article showing my new design;  
FIG. 2 is a top plan view thereof;  
FIG. 3 is a front view thereof;  
FIG. 4 is a right side view thereof;  
FIG. 5 is a rear view thereof; and  
FIG. 6 is an underneath plan view thereof.

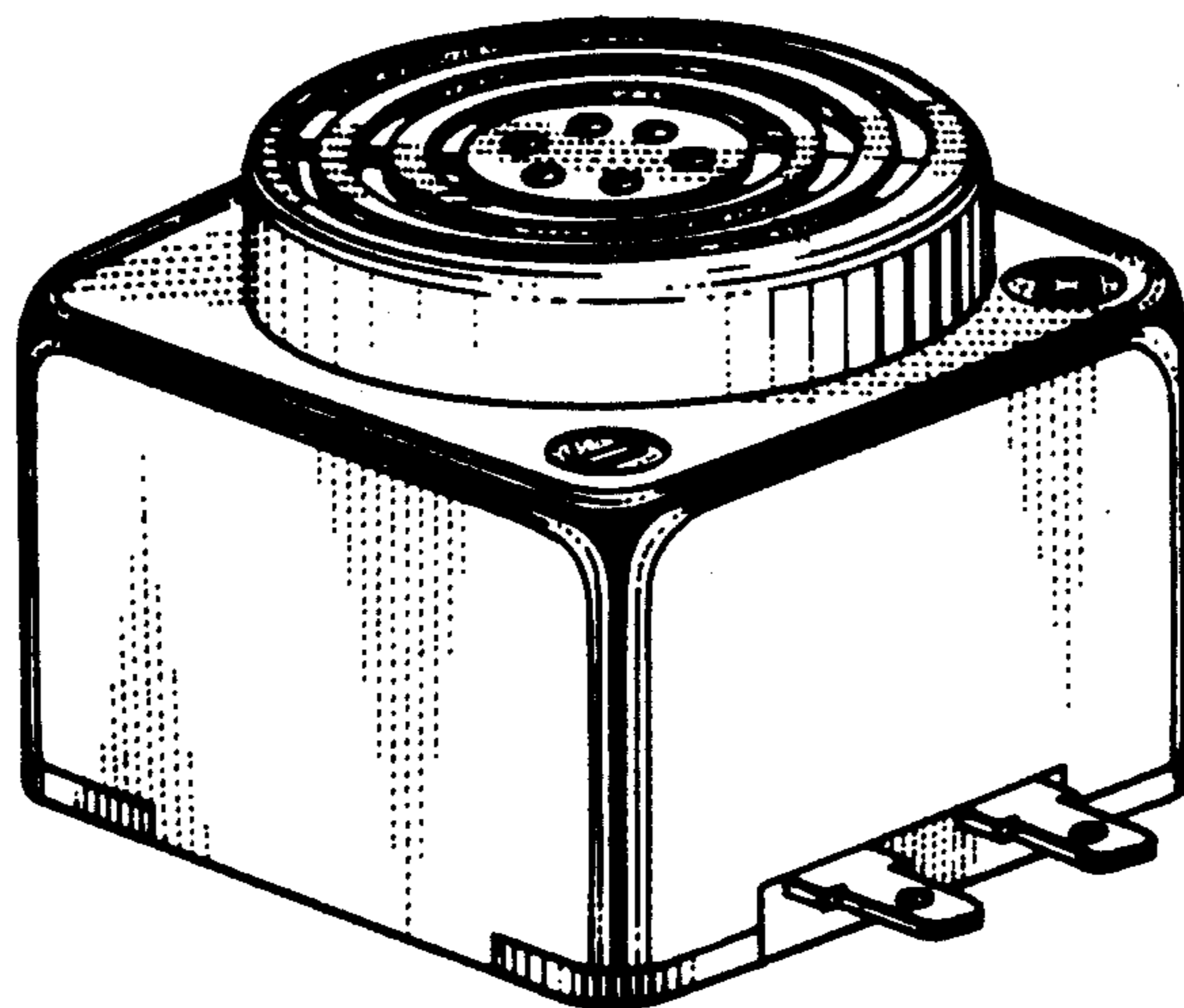


FIG. 2

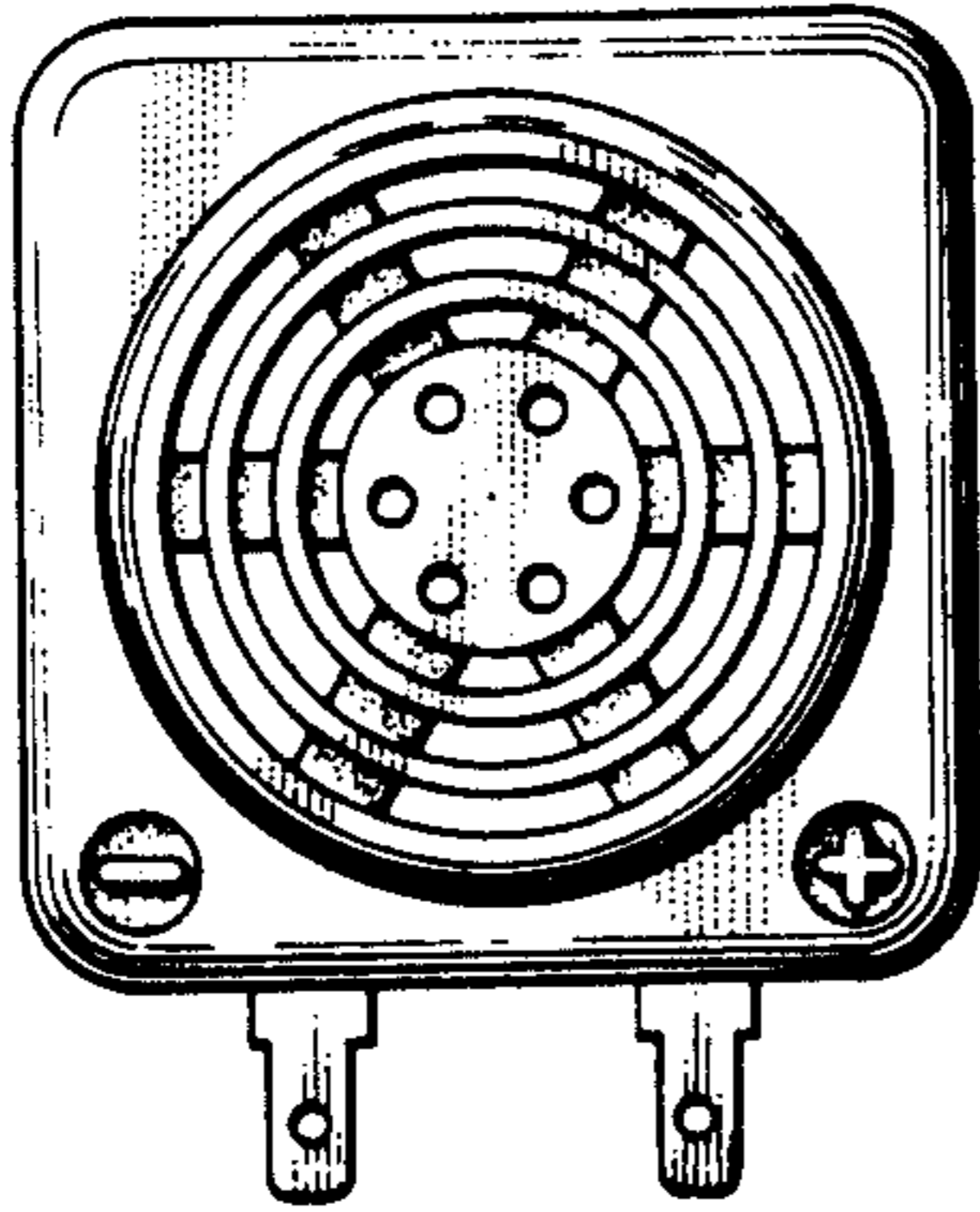


FIG. 1

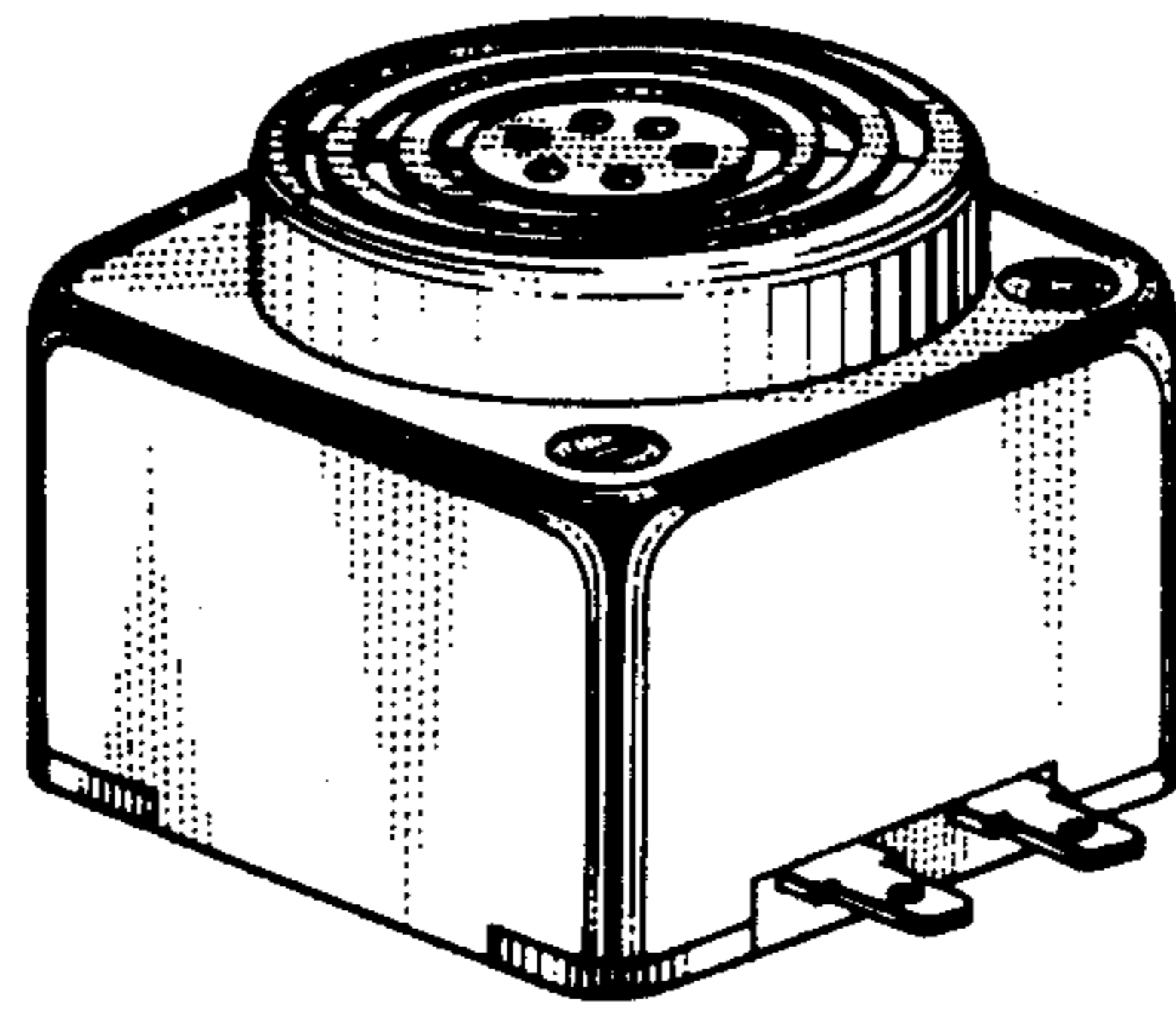


FIG. 3

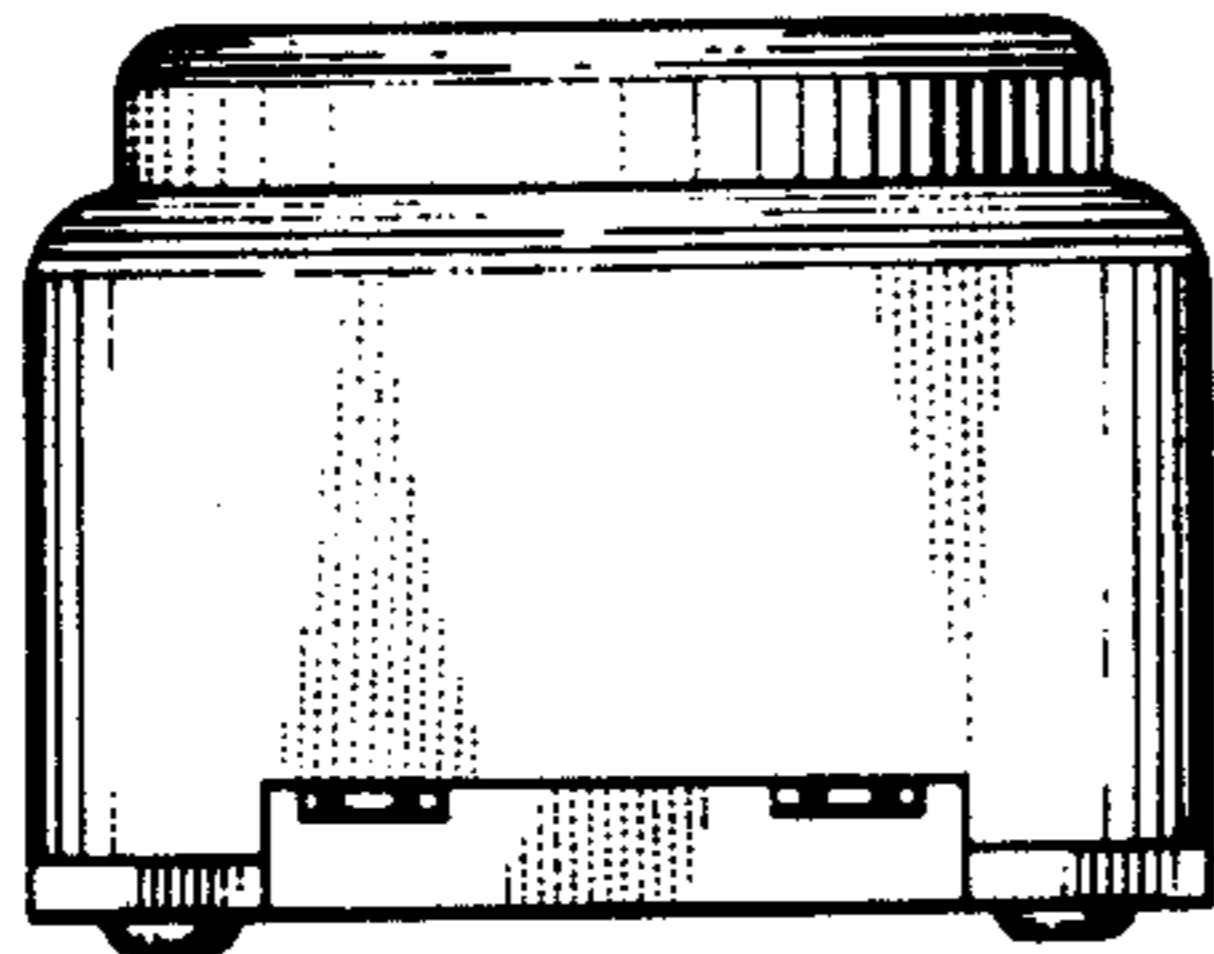


FIG. 4

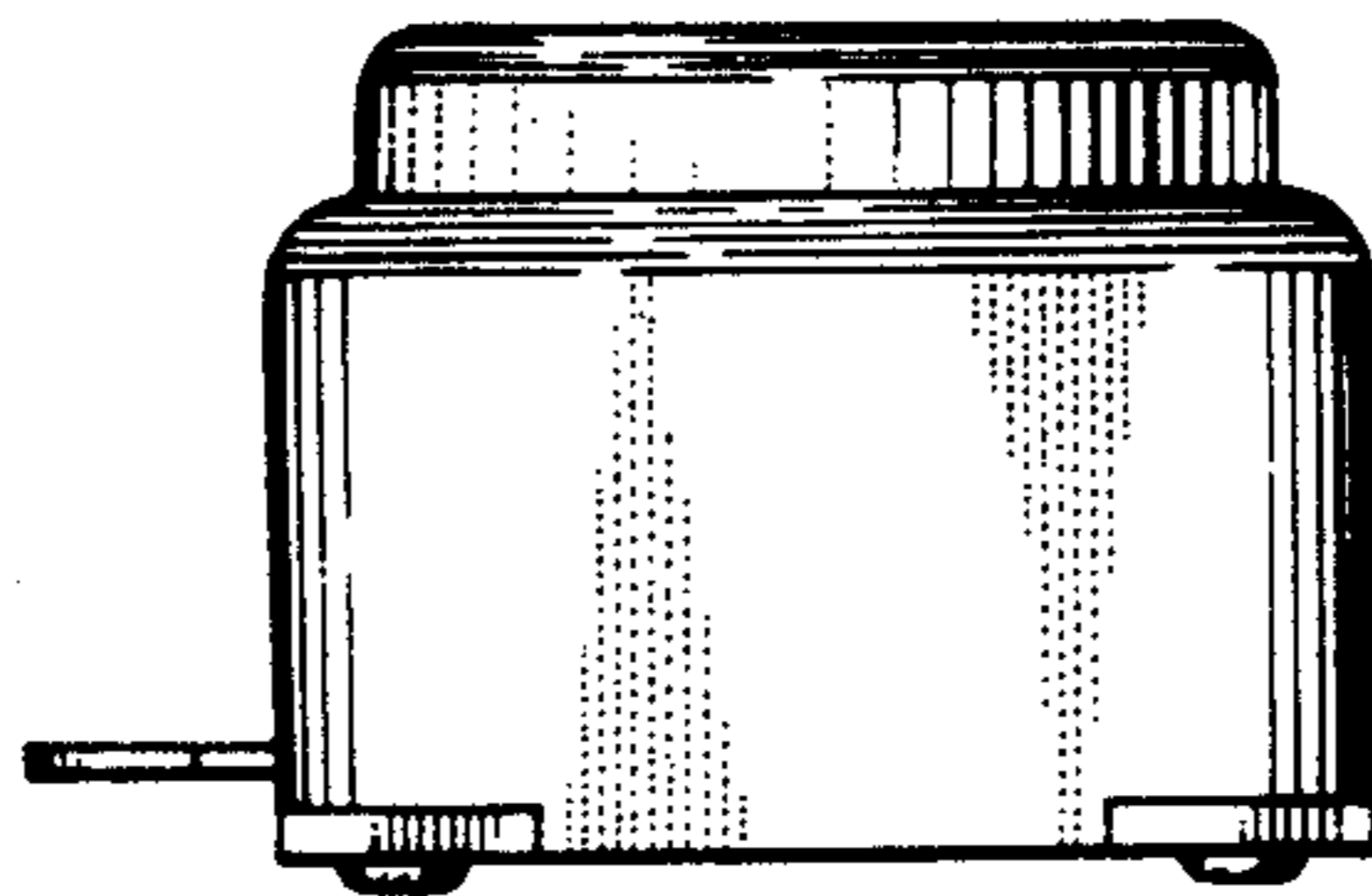


FIG. 6

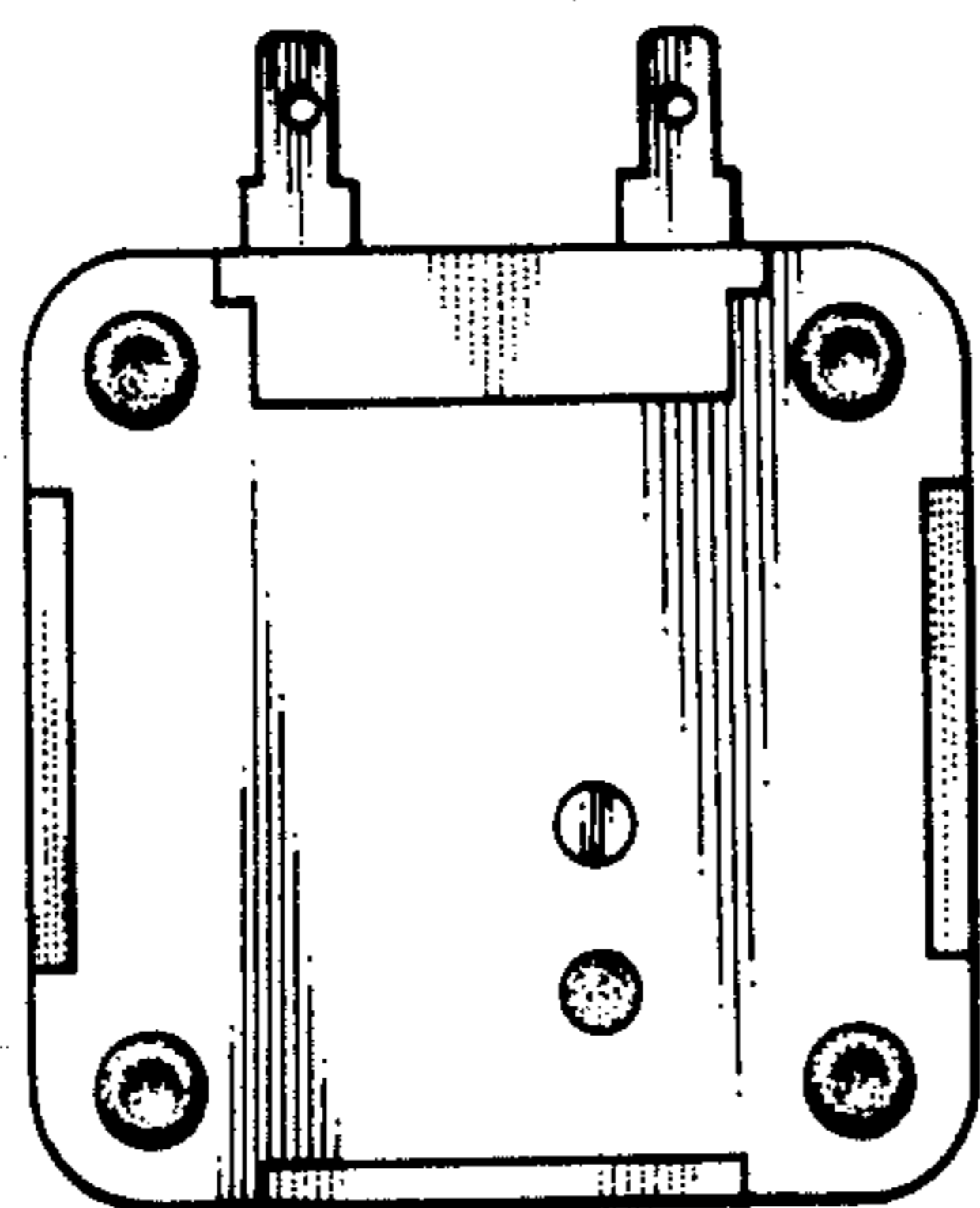


FIG. 5

