

[54] POWER-DRIVEN STAPLER

[75] Inventors: Edward E. Barrett, Massapequa Park; Albert Lensky, New York; John C. Costello, Syracuse; Arthur J. Pulos, Fayetteville, all of N.Y.

[73] Assignee: Swingline, Inc., Long Island City, N.Y.

[**] Term: 14 Years

[21] Appl. No.: 838,923

[22] Filed: Oct. 3, 1977

[51] Int. Cl. D8-05

[52] U.S. Cl. D8/49

[58] Field of Search D8/48-50, D8/61, 69; 227/131, 132

[56] References Cited

U.S. PATENT DOCUMENTS

D. 231,767	6/1974	Power et al.	D8/49
D. 241,501	9/1976	Doyle et al.	D8/49
3,589,587	6/1971	Manganaro	227/131

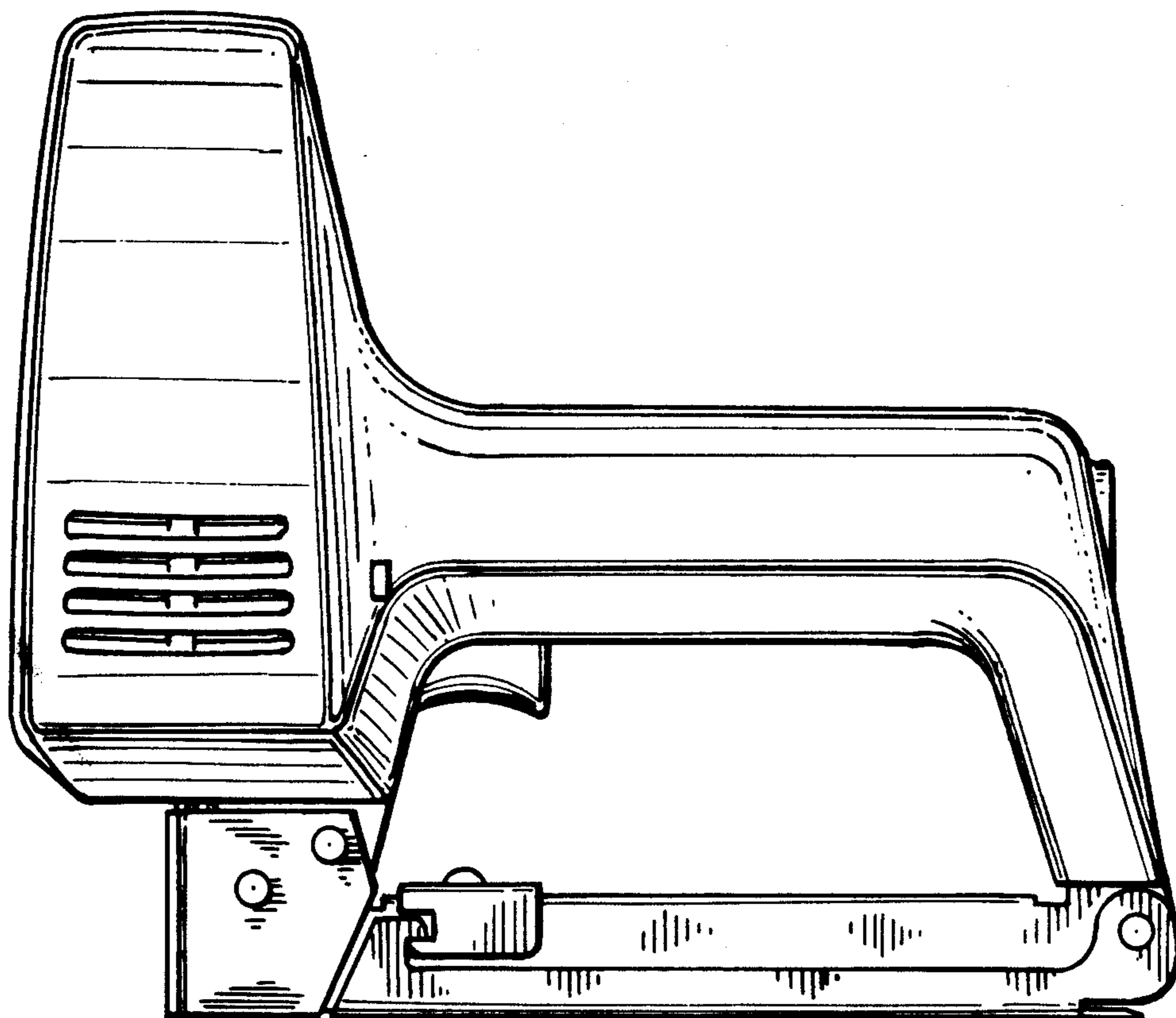
Primary Examiner—Joel Stearman
Assistant Examiner—George P. Word
Attorney, Agent, or Firm—Willis H. Taylor, Jr.

[57] CLAIM

The ornamental design for a power-driven stapler, substantially as shown and described.

DESCRIPTION

FIG. 1 is a right side elevational view of a power-driven stapler showing our new design, the left side elevational view being a mirror image thereof; FIG. 2 is a front elevational view; FIG. 3 is a rear elevational view; FIG. 4 is a top plan view; and FIG. 5 is a bottom plan view.



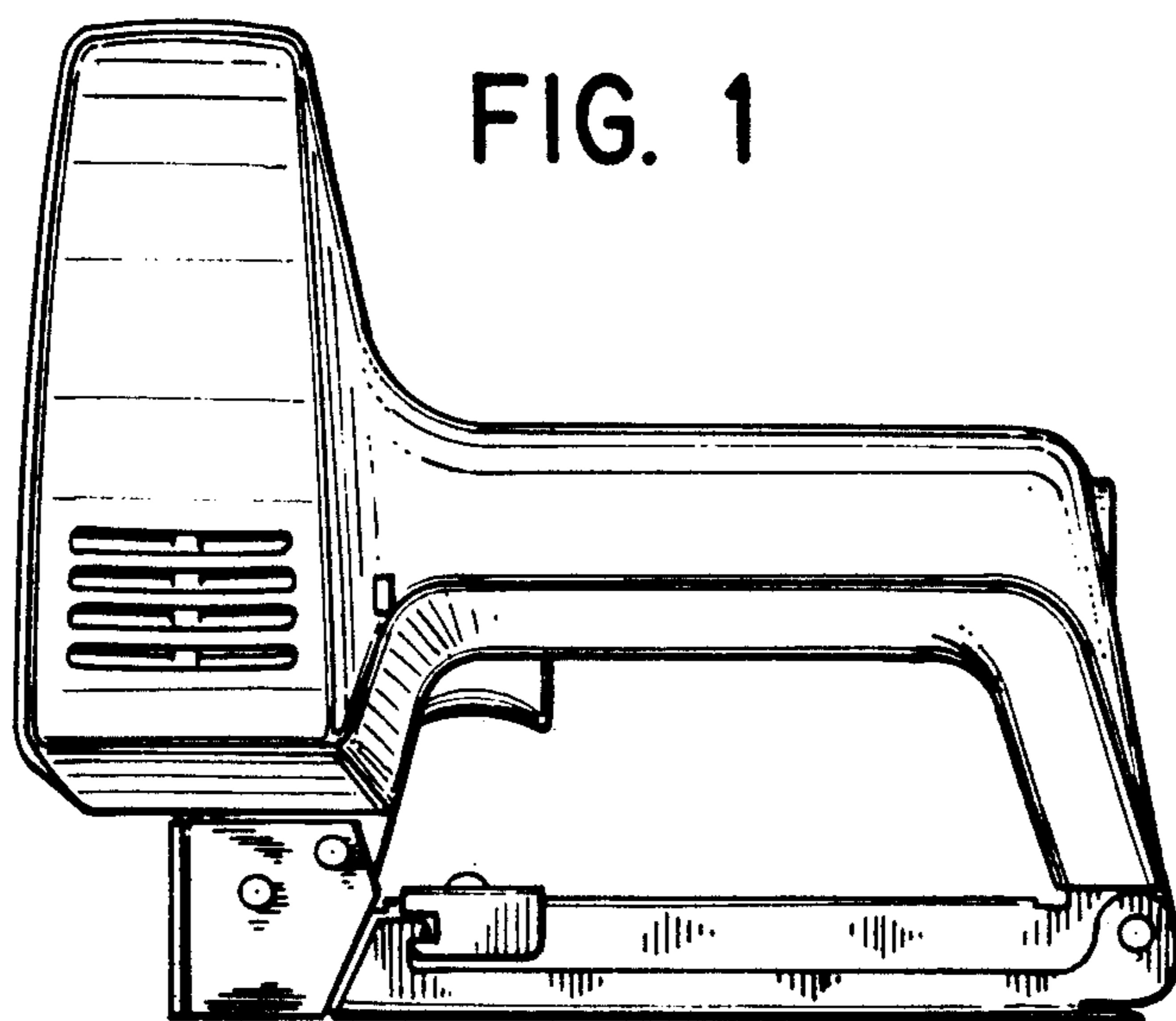


FIG. 1

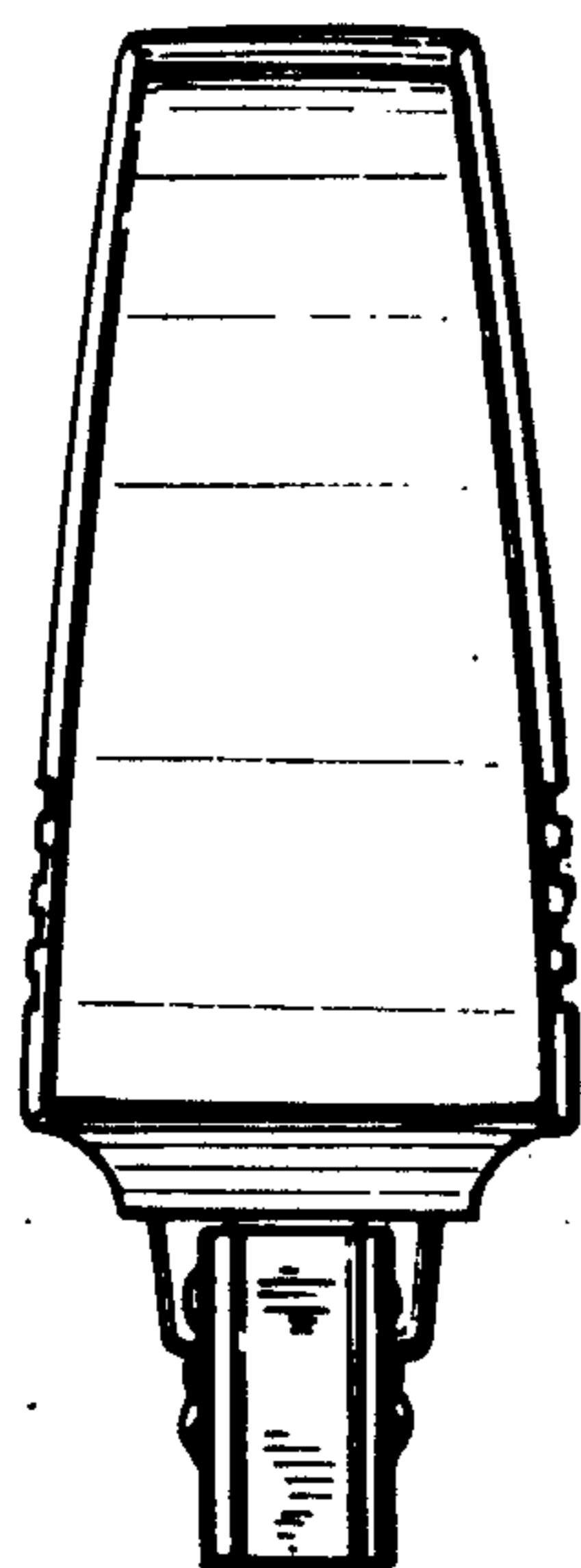


FIG. 2

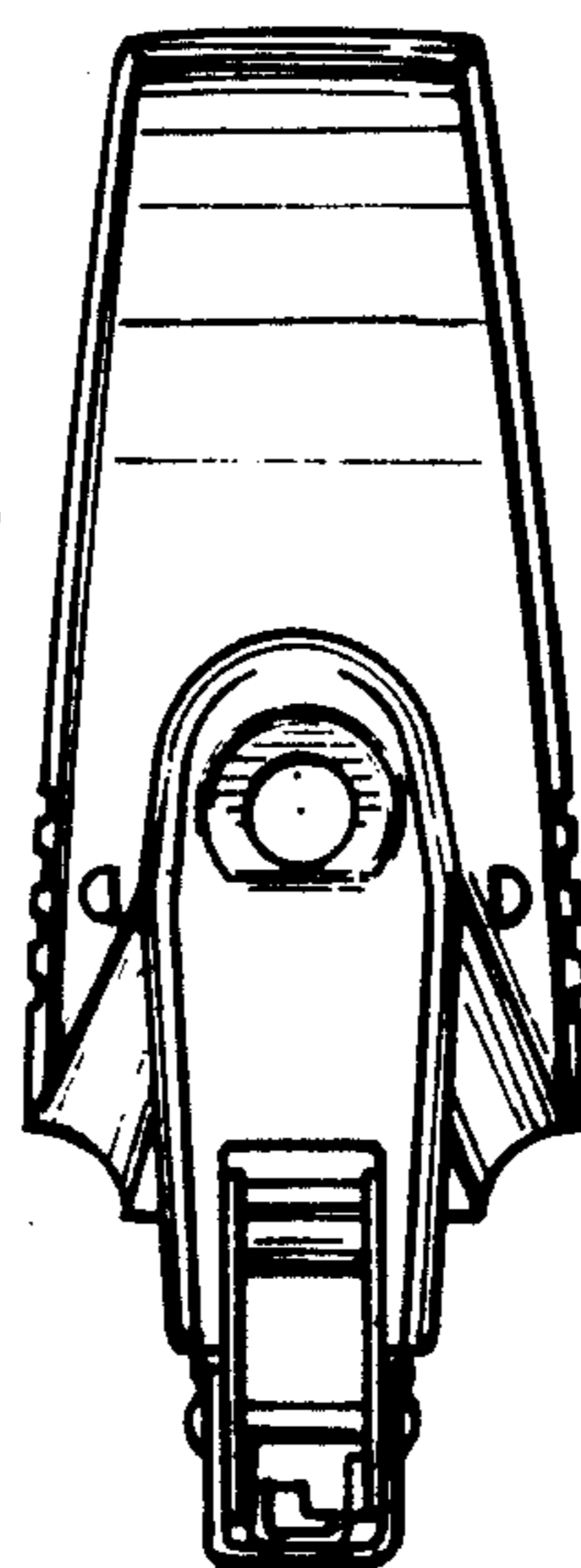


FIG. 3

FIG. 4

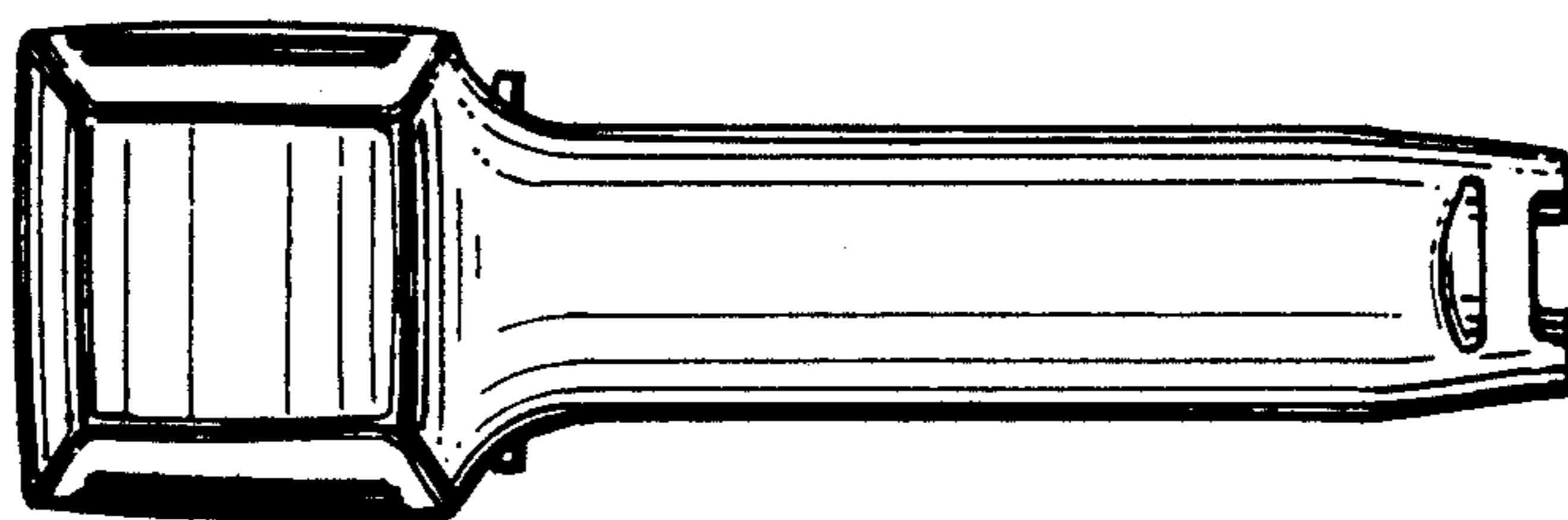


FIG. 5

