

[54] **BABY CHAIR**

[75] Inventors: **Shinroku Nakao**, Yokohama;
Yoshiyasu Ishii, Tokyo; **Kenshun Ishii**, Tokyo; **Kazuo Nagata**, Tokyo,
all of Japan

[73] Assignee: **Combi Co., Ltd.**, Tokyo, Japan

[**] Term: **14 Years**

[21] Appl. No.: **879,401**

[22] Filed: **Feb. 21, 1978**

[51] Int. Cl. **D6-01**

[52] U.S. Cl. **D6/7; D6/8**

[58] Field of Search **D6/5, 6, 7, 8, 9, 10,**
D6/47, 48, 65, 66, 197; 297/4, 16, 34, 274-283

[56] **References Cited**

U.S. PATENT DOCUMENTS

- D. 195,672 7/1963 Hamilton et al. D6/7
- D. 210,276 2/1968 Hamilton et al. D6/7
- D. 246,682 12/1977 Nakao D6/7

- D. 246,812 1/1978 Canter et al. D6/48
- D. 247,397 3/1978 Tsumita D6/7

Primary Examiner—Bruce W. Dunkins
Attorney, Agent, or Firm—Sughrue, Rothwell, Mion,
Zinn and Macpeak

[57] **CLAIM**

The ornamental design for a baby chair, as shown and described.

DESCRIPTION

FIG. 1 is a front elevational view of a baby chair showing our new design;
FIG. 2 is a rear elevational view thereof;
FIG. 3 is a top plan view thereof;
FIG. 4 is a bottom plan view thereof;
FIG. 5 is a right side view thereof;
FIG. 6 is a left side view thereof; and
FIG. 7 is a left side view similar to that of FIG. 6, with the back rest reclined.

The characteristic feature of our design resides in the reclinable back rest as best shown in FIG. 7.

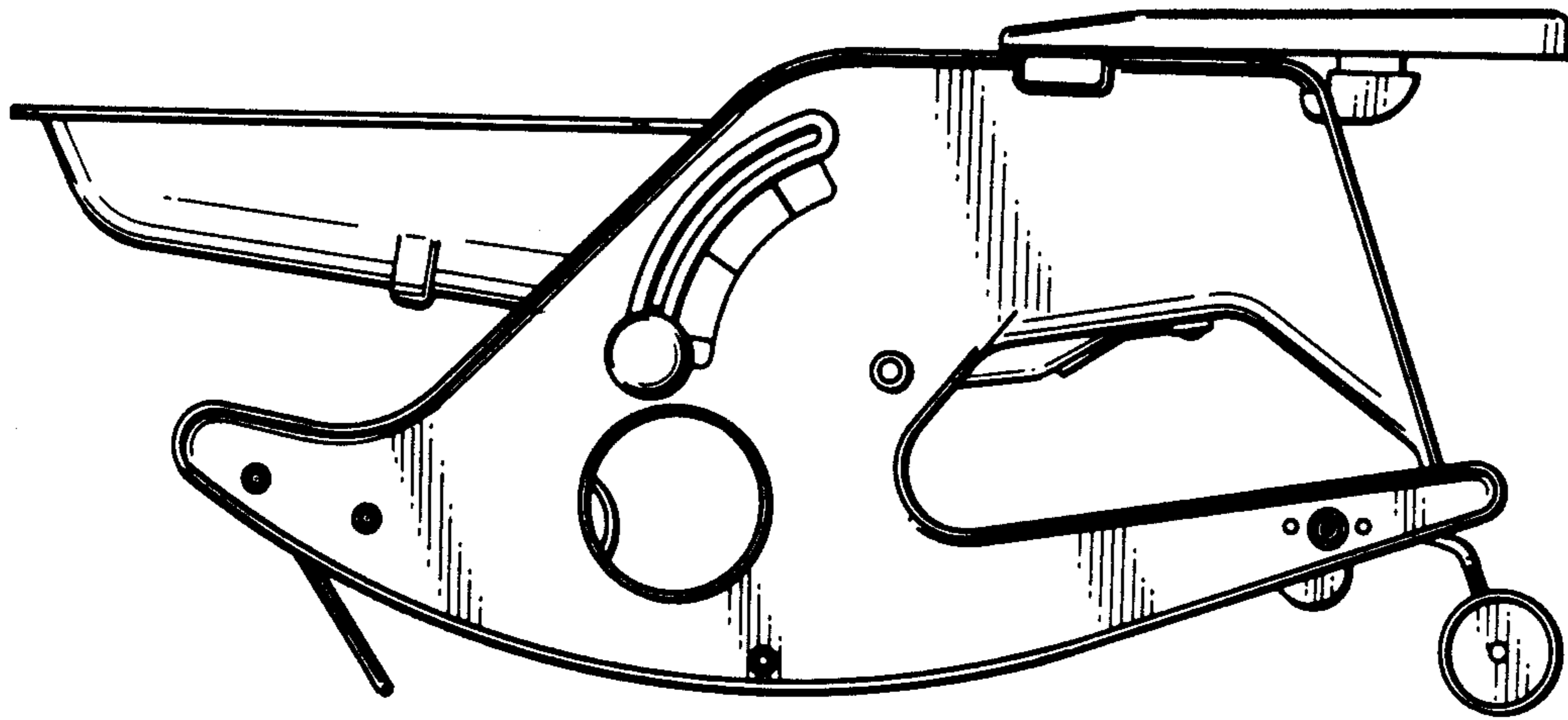


Fig. 1

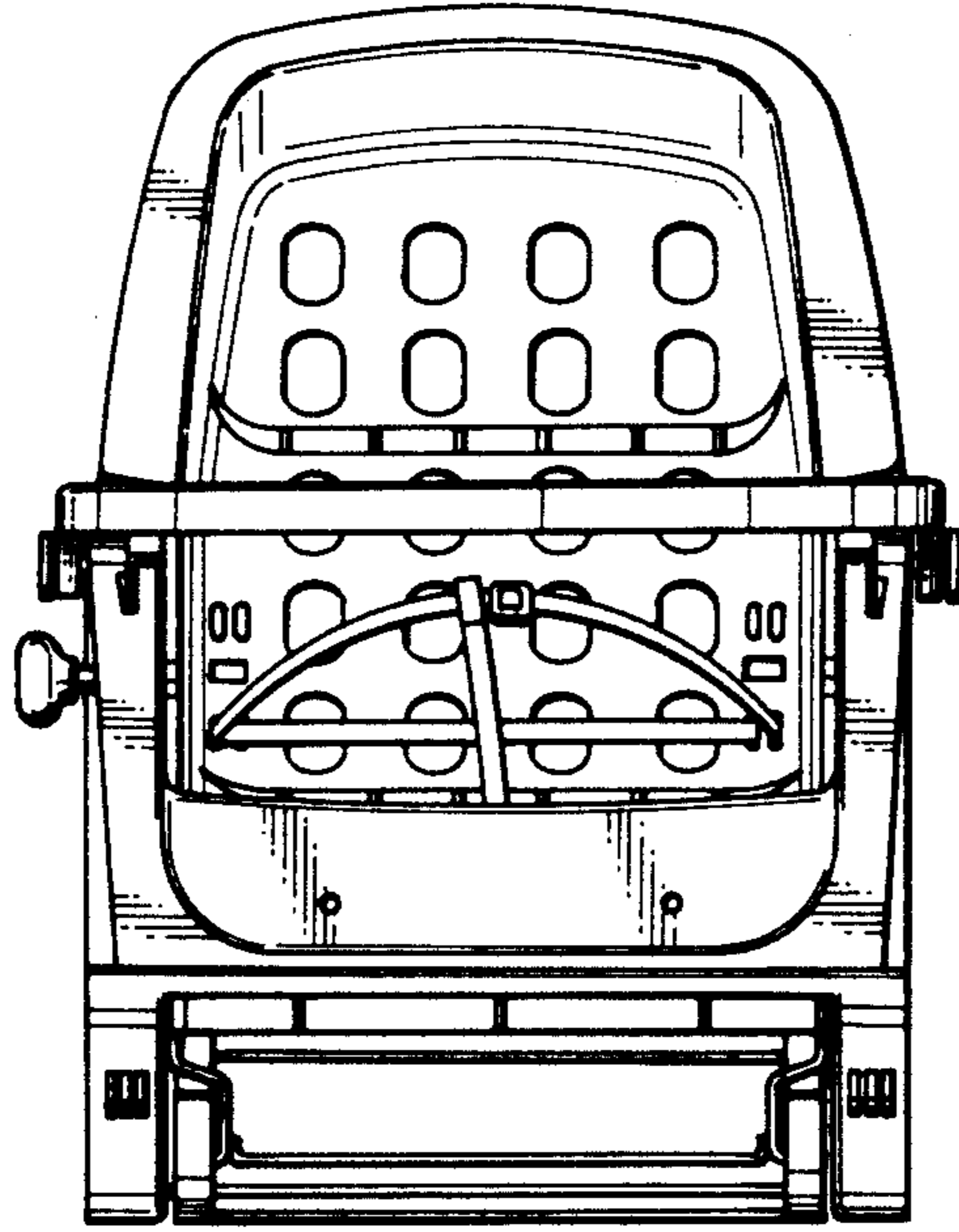


Fig. 2

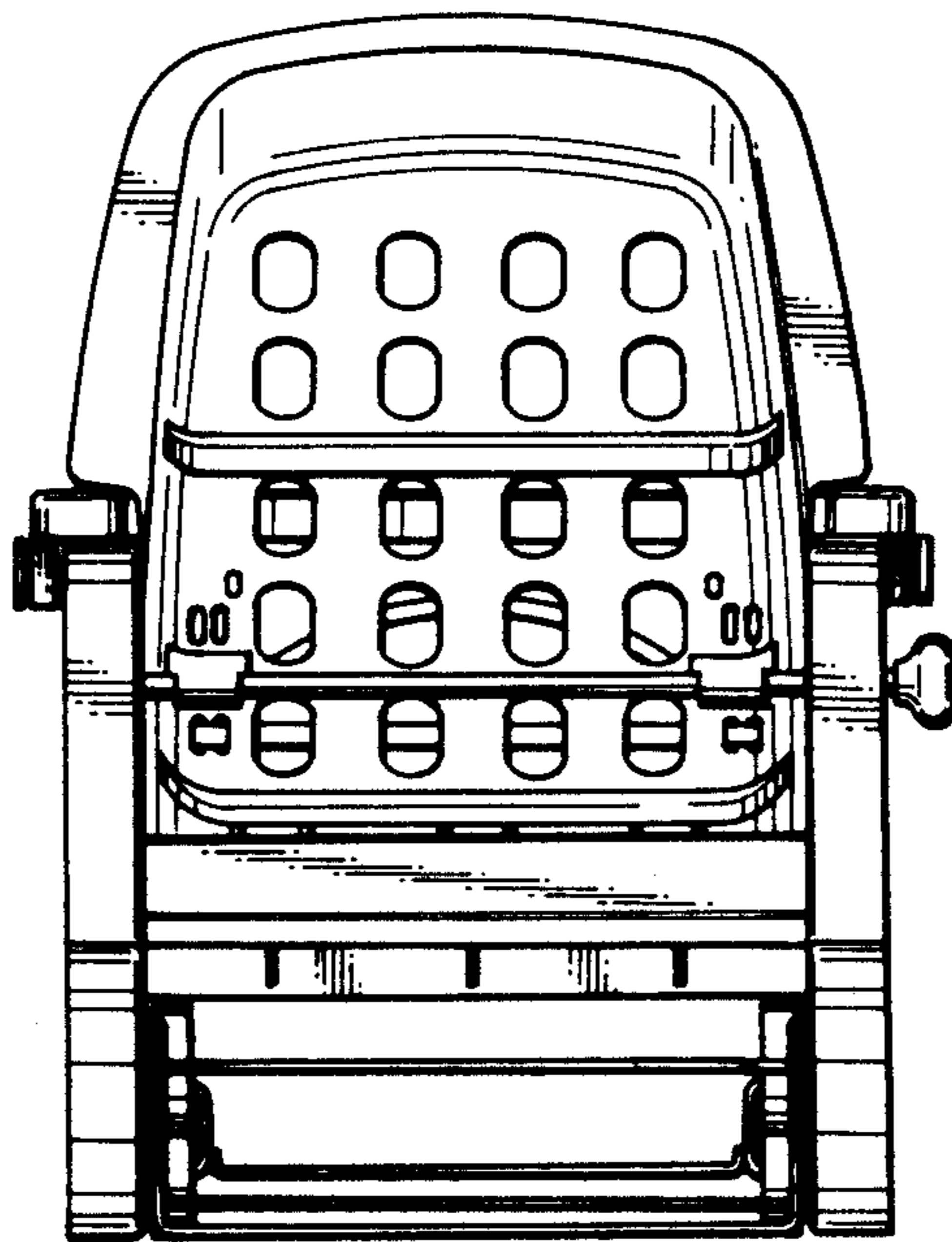


Fig. 3

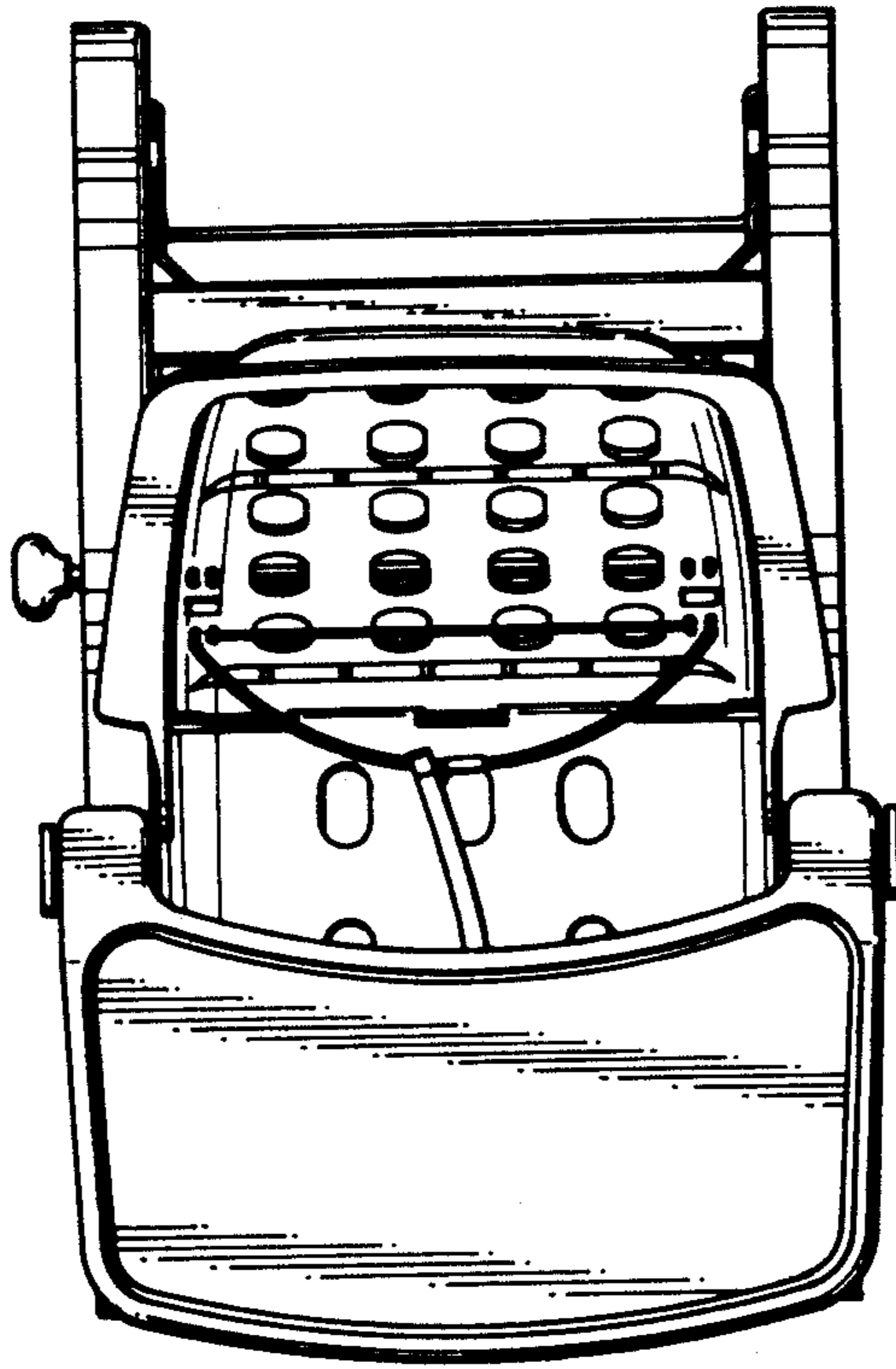


Fig. 4

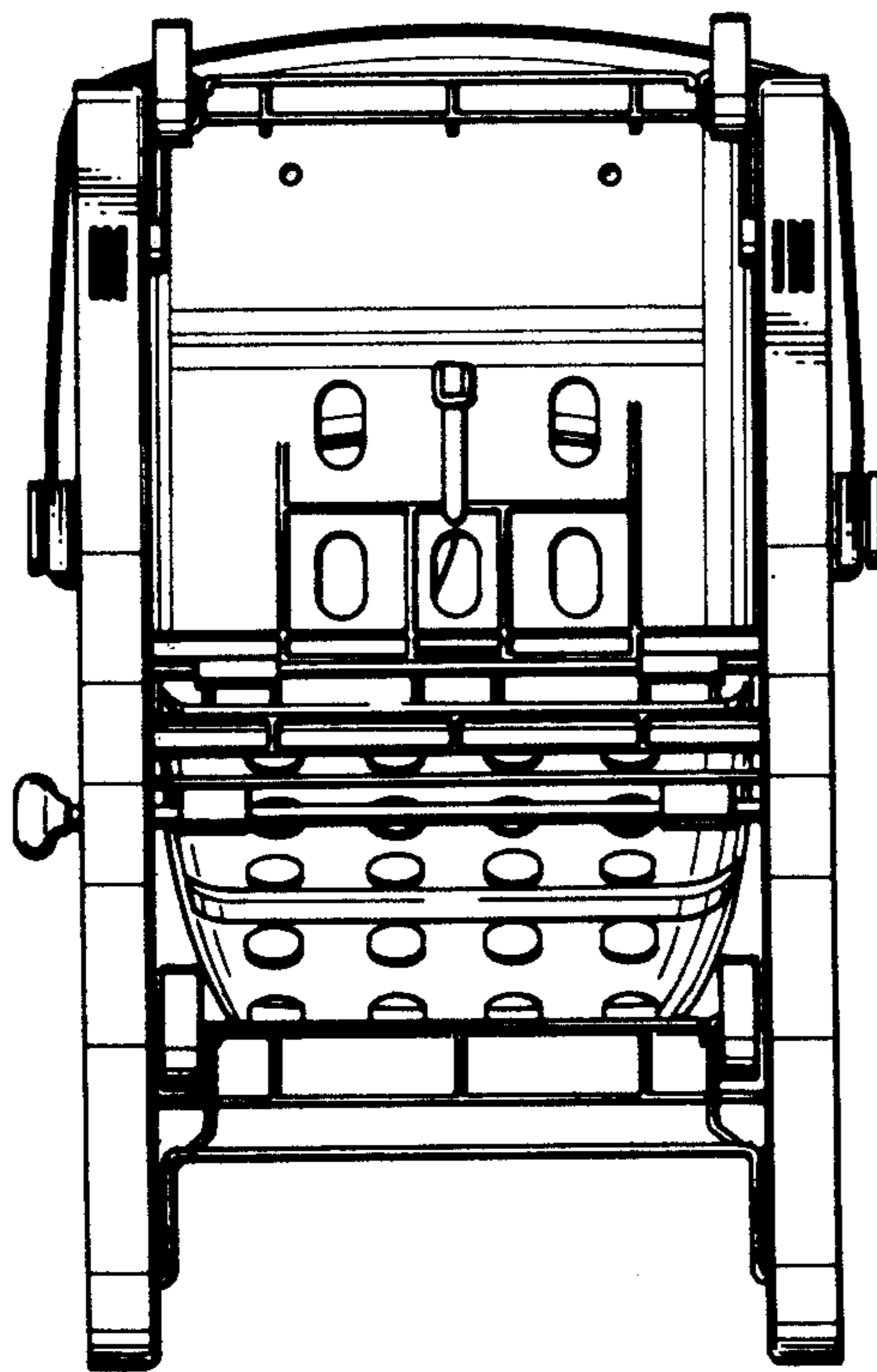


Fig. 5

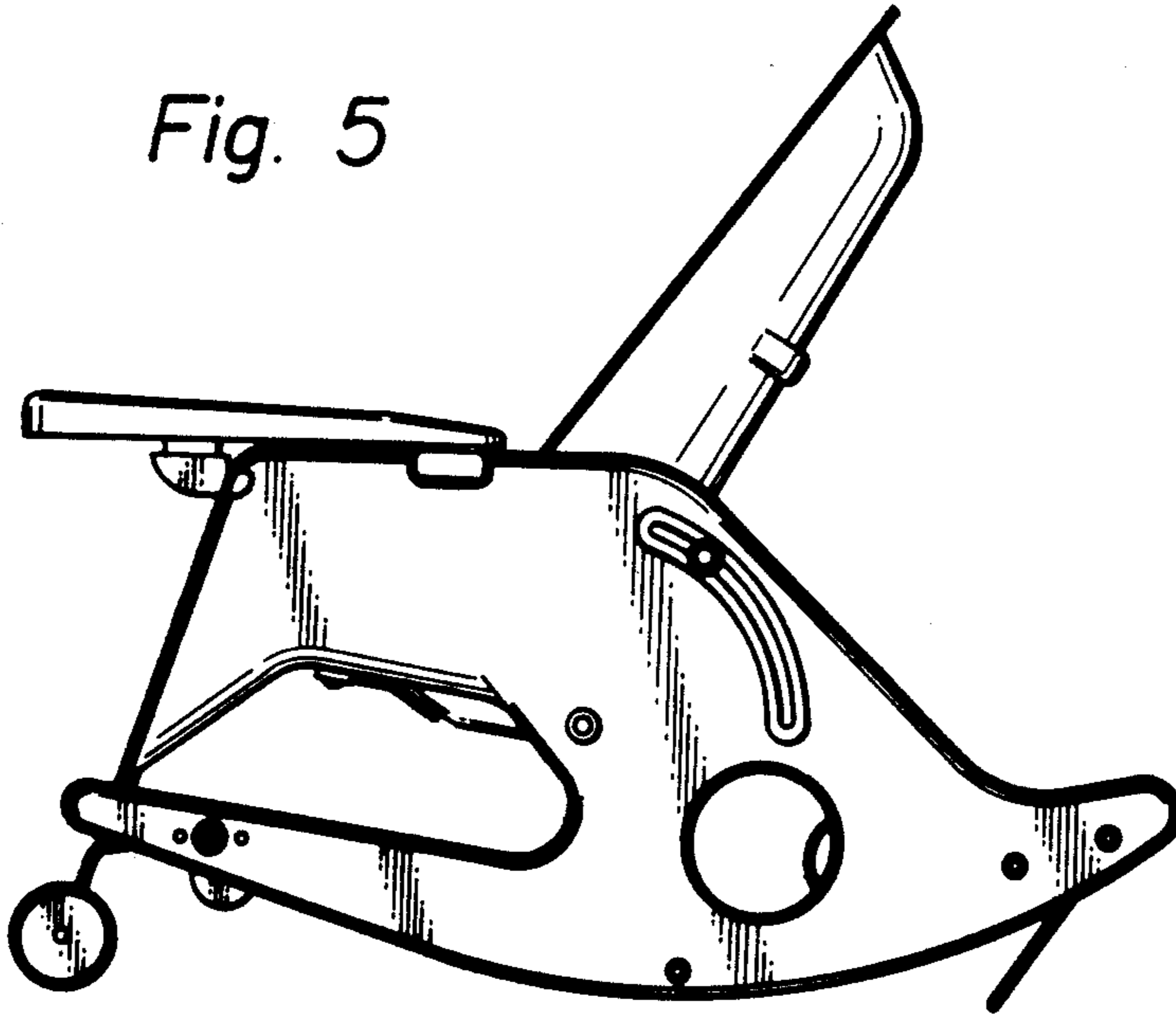


Fig. 6

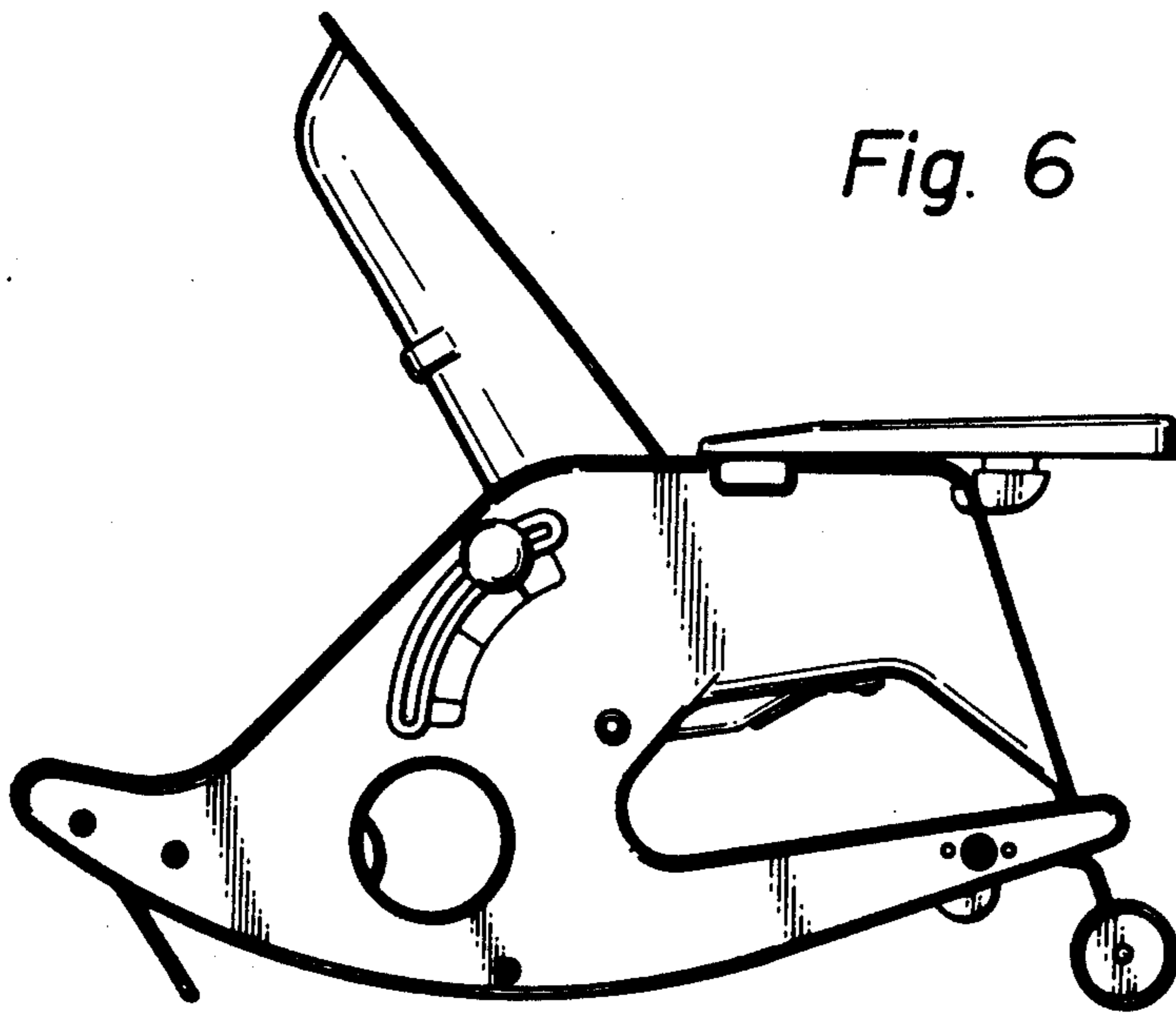


Fig. 7

