

[54] LANTERN HOUSING

[75] Inventor: Bert Bobrovniczky, Don Mills, Canada

[73] Assignee: Noma Lites Canada Limited, Scarborough, Canada

[**] Term: 7 Years

[21] Appl. No.: 852,338

[22] Filed: Nov. 17, 1977

[51] Int. Cl. D26-05

[52] U.S. Cl. D26/118

[58] Field of Search D48/24 R, 23 R, 16 D, D48/16 C, 20 R, 35, 36, 37; 362/404-408, 362, 341, 347, 346, 348, 350, 351, 355, 356, 361

[56] References Cited

U.S. PATENT DOCUMENTS

D. 101,868 11/1936 Gobstein D48/20 R

OTHER PUBLICATIONS

Emerson Electric Imperialites Catalog, ©1967, p. 81, Lantern L443.

Emerson Electric Imperialites Catalog, ©1967, p. 88, Lantern L433.

Primary Examiner—Susan J. Lucas

[57] CLAIM

The ornamental design for a lantern housing, as shown and described.

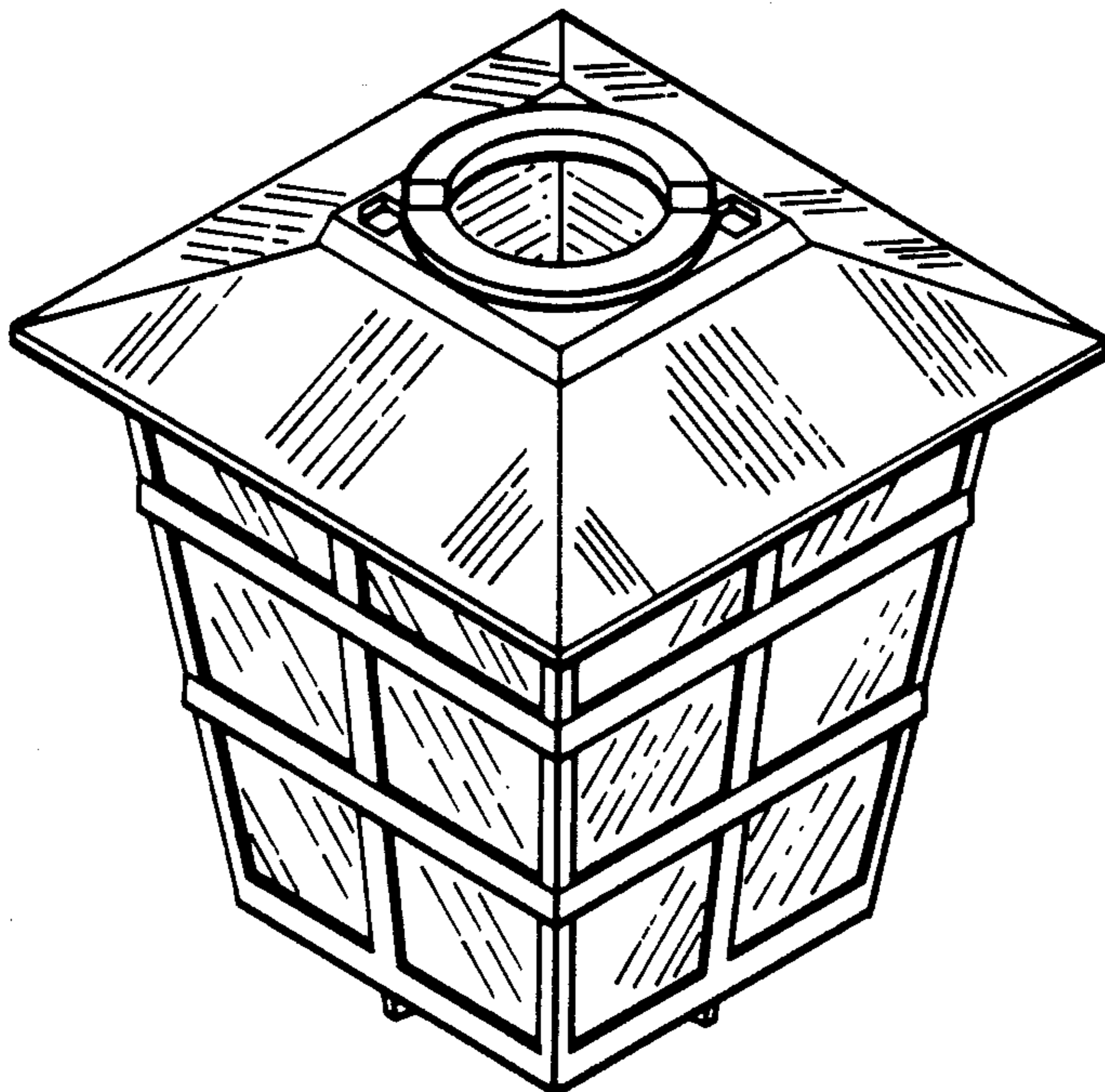
DESCRIPTION

FIG. 1 is a perspective view of a lantern housing showing my new design; the oblique line shading indicating translucent surfaces;

FIG. 2 is a perspective view of a second embodiment of my design;

FIG. 3 is a side elevational view thereof on an enlarged scale, and

FIG. 4 is a top plan view thereof on an enlarged scale. The second embodiment differs from the first only by omission of the translucent side panels.



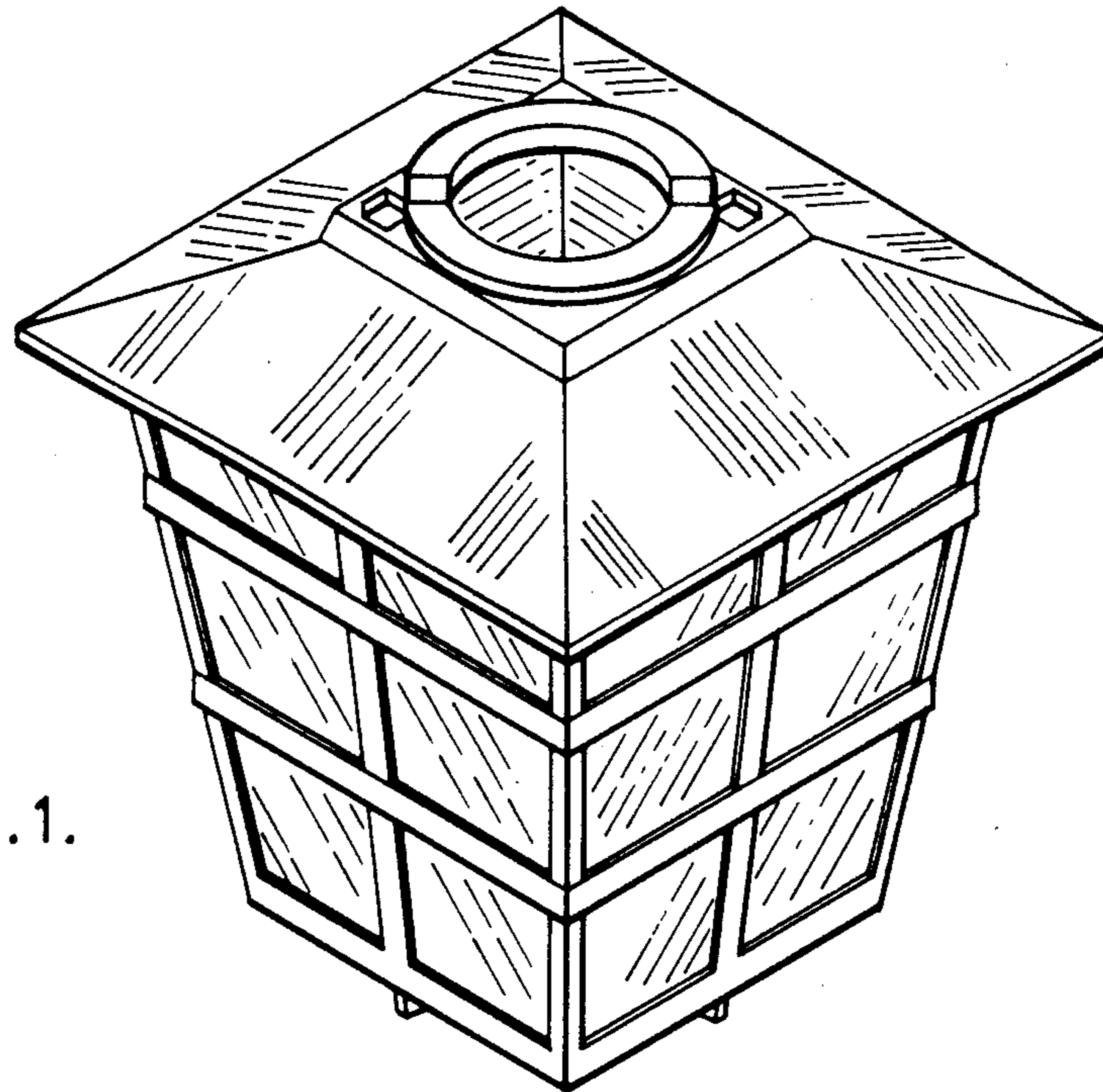


FIG. 1.

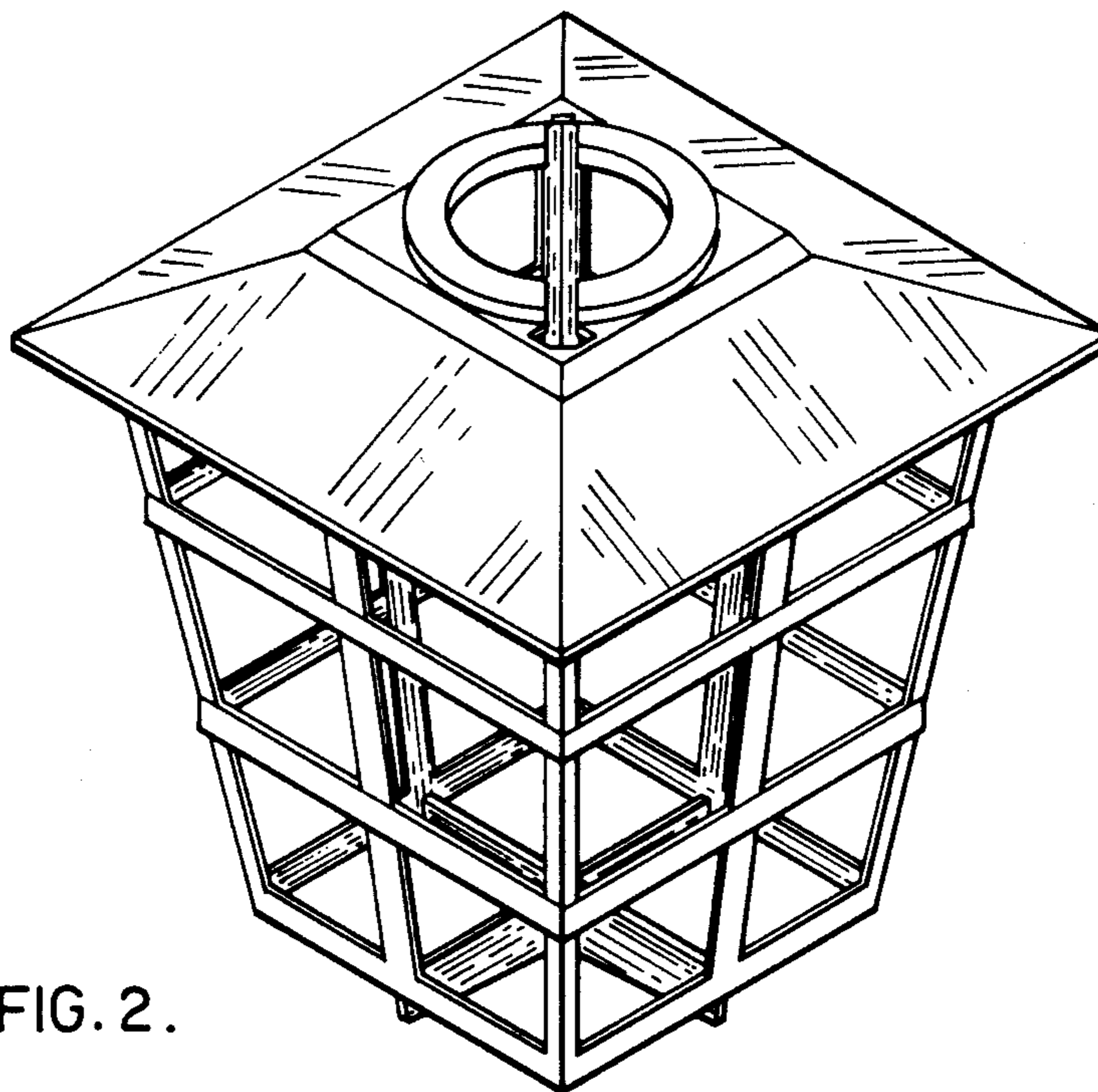


FIG. 2.

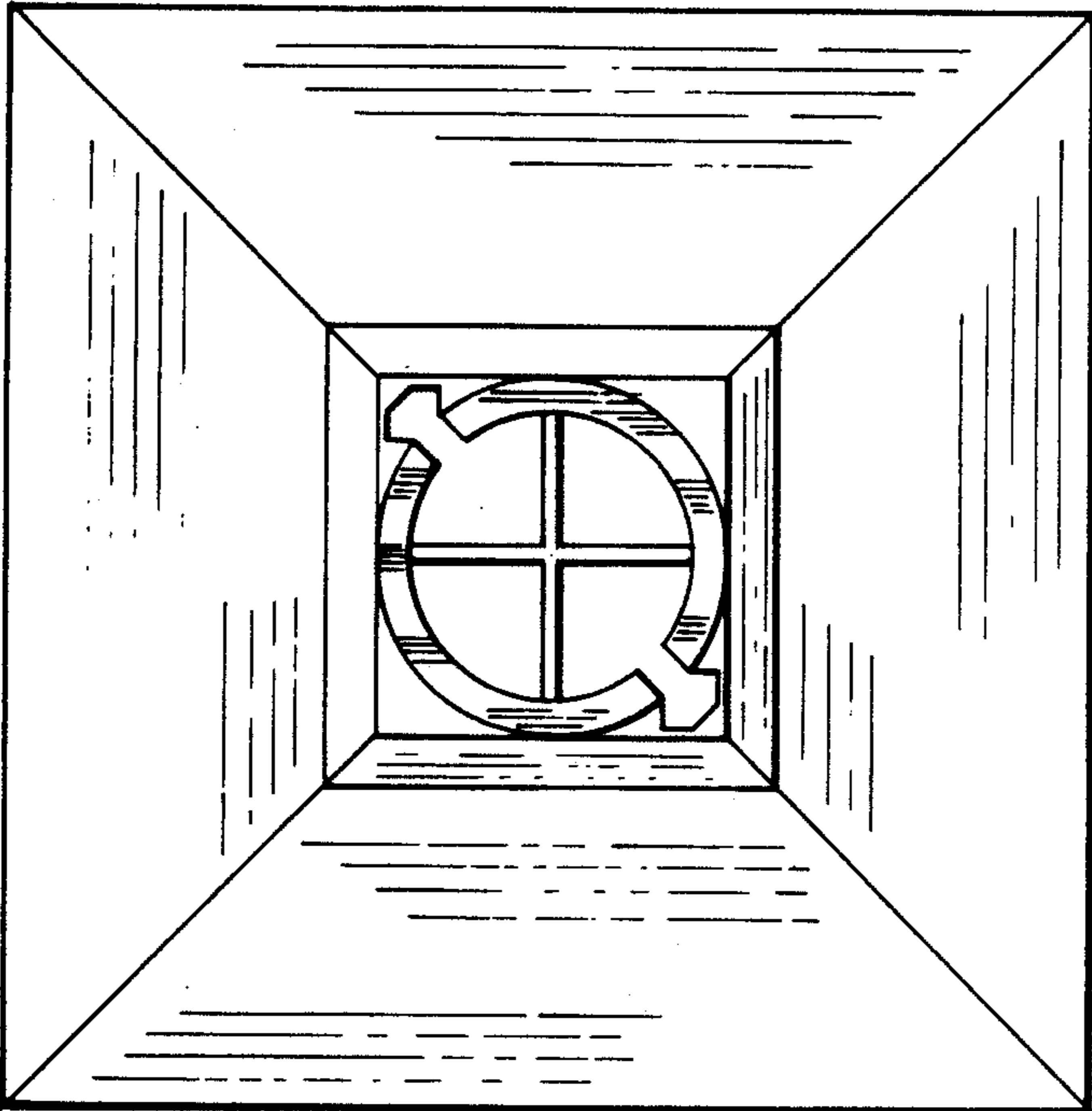


FIG. 4.

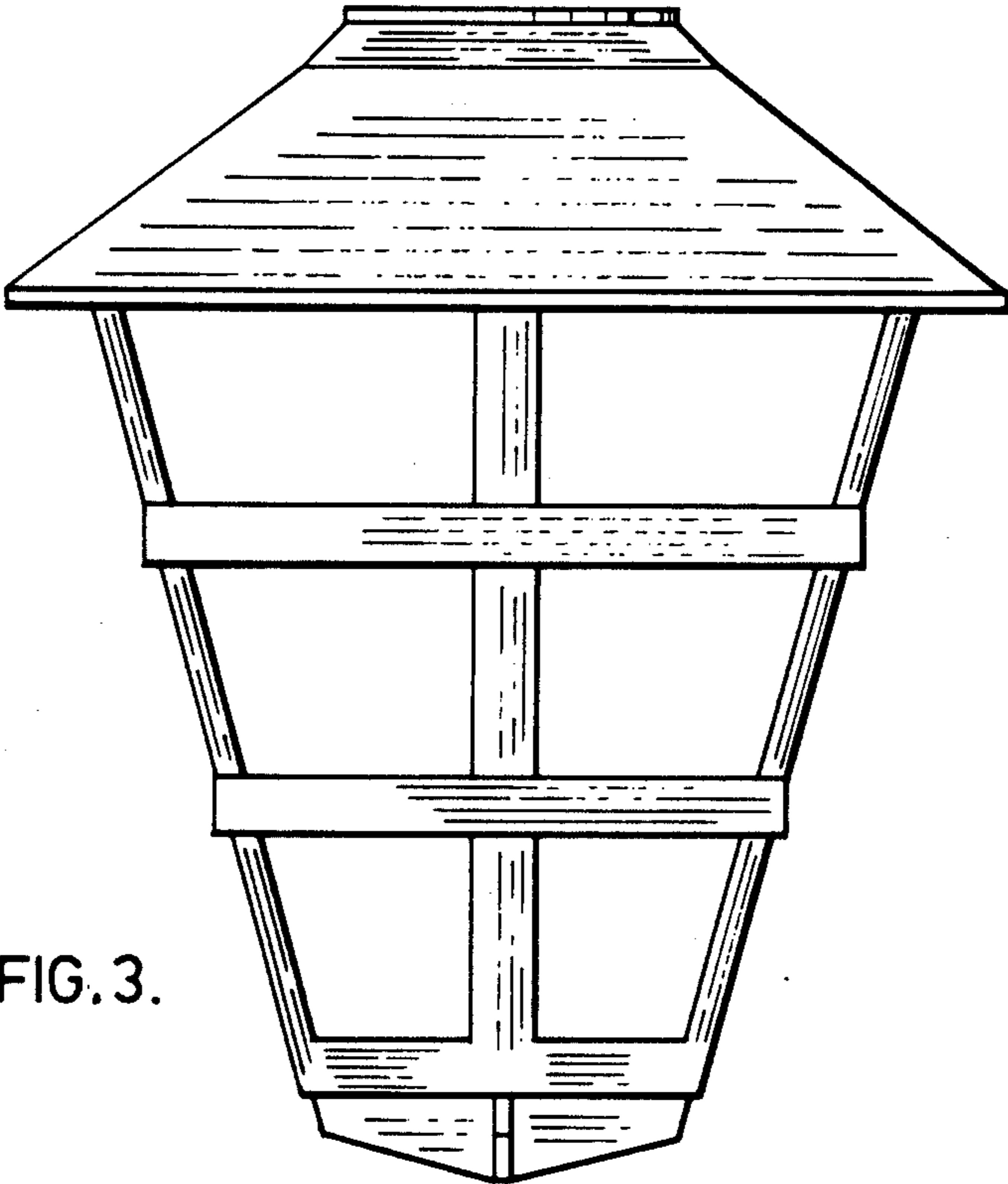


FIG. 3.