

[54] SOLAR WATER HEATING UNIT

[75] Inventor: Harry J. Riley, Perth, Australia

[73] Assignee: S. W. Hart & Co., Pty. Ltd., Australia

[**] Term: 14 Years

[21] Appl. No.: 841,636

[22] Filed: Oct. 12, 1977

[51] Int. Cl. D23-03

[52] U.S. Cl. D23/127

[58] Field of Search D23/72, 127; 126/270, 126/271

[56] References Cited

U.S. PATENT DOCUMENTS

D. 244,607	6/1977	Riley	D23/127
D. 244,608	6/1977	Riley	D23/127
1,889,238	11/1932	Clark	126/271
4,084,578	4/1978	Ishibashi	126/271

Primary Examiner—Wallace R. Burke
Assistant Examiner—Catherine Kemper
Attorney, Agent, or Firm—William Anthony Drucker

[57] CLAIM

The ornamental design for a solar water heating unit, as shown and described.

DESCRIPTION

FIG. 1 is a top front right perspective;
FIG. 2 is a right side;
FIG. 3 is a back top left perspective;
FIG. 4 is a bottom perspective view thereof.

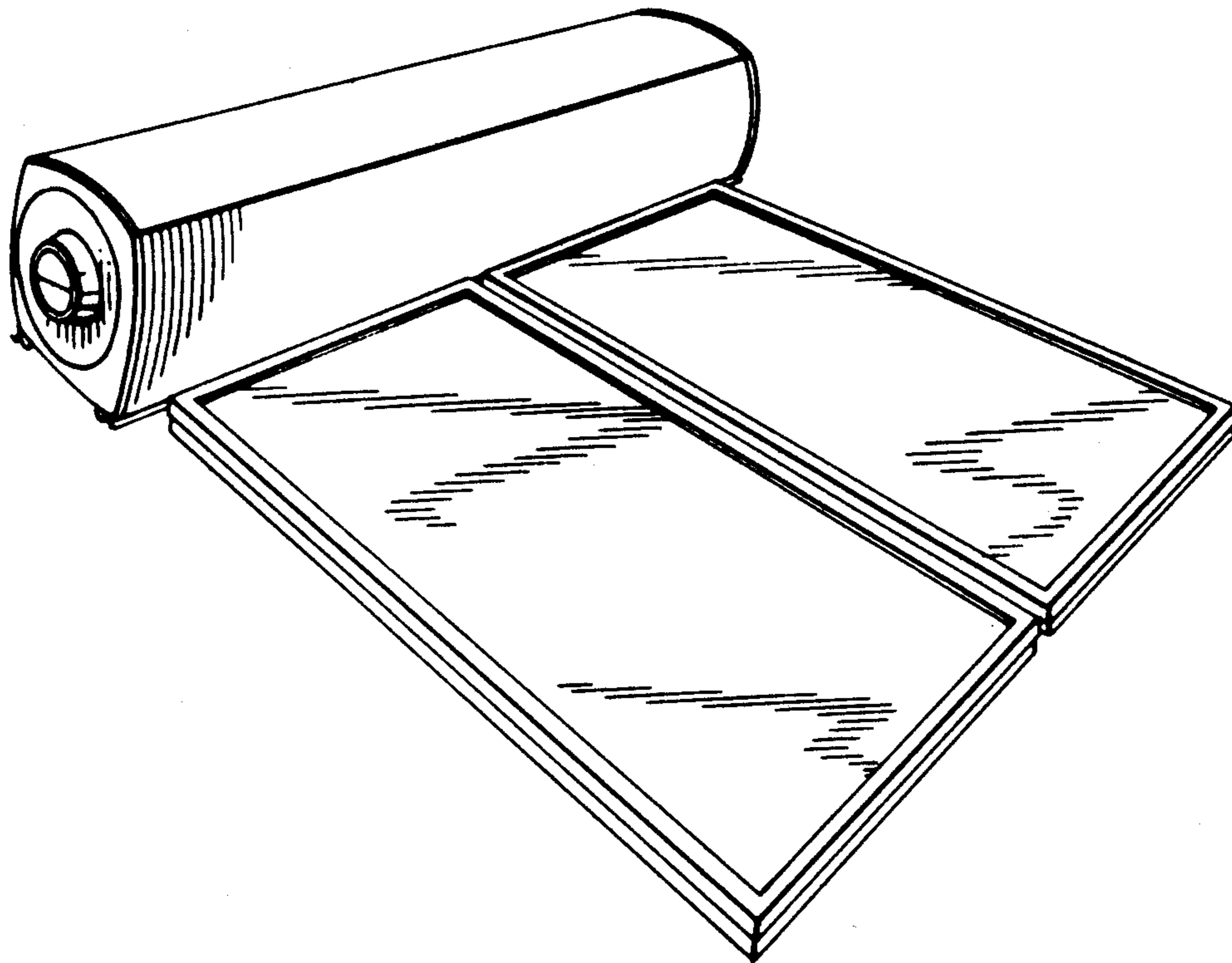


FIG. 1

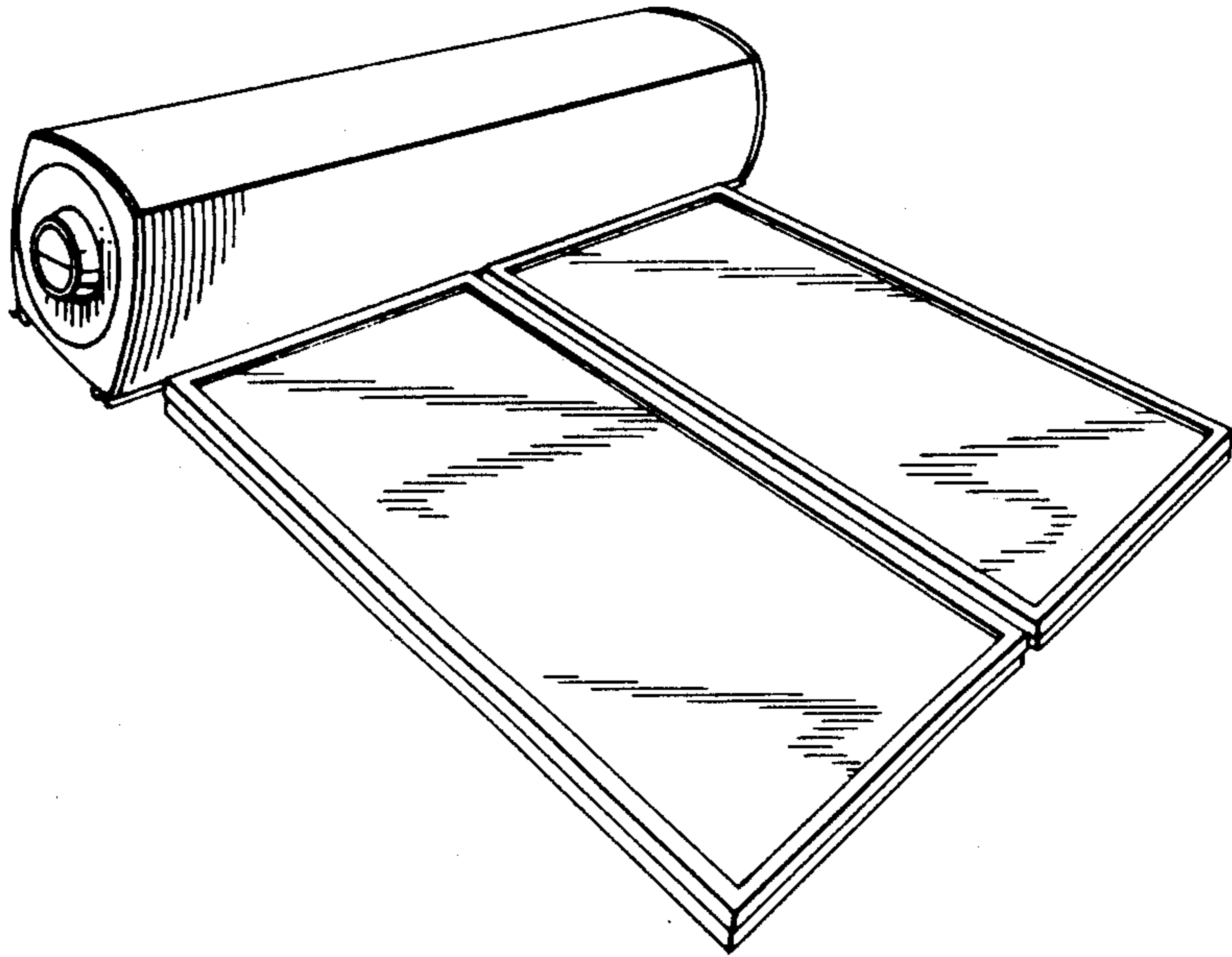


FIG. 2

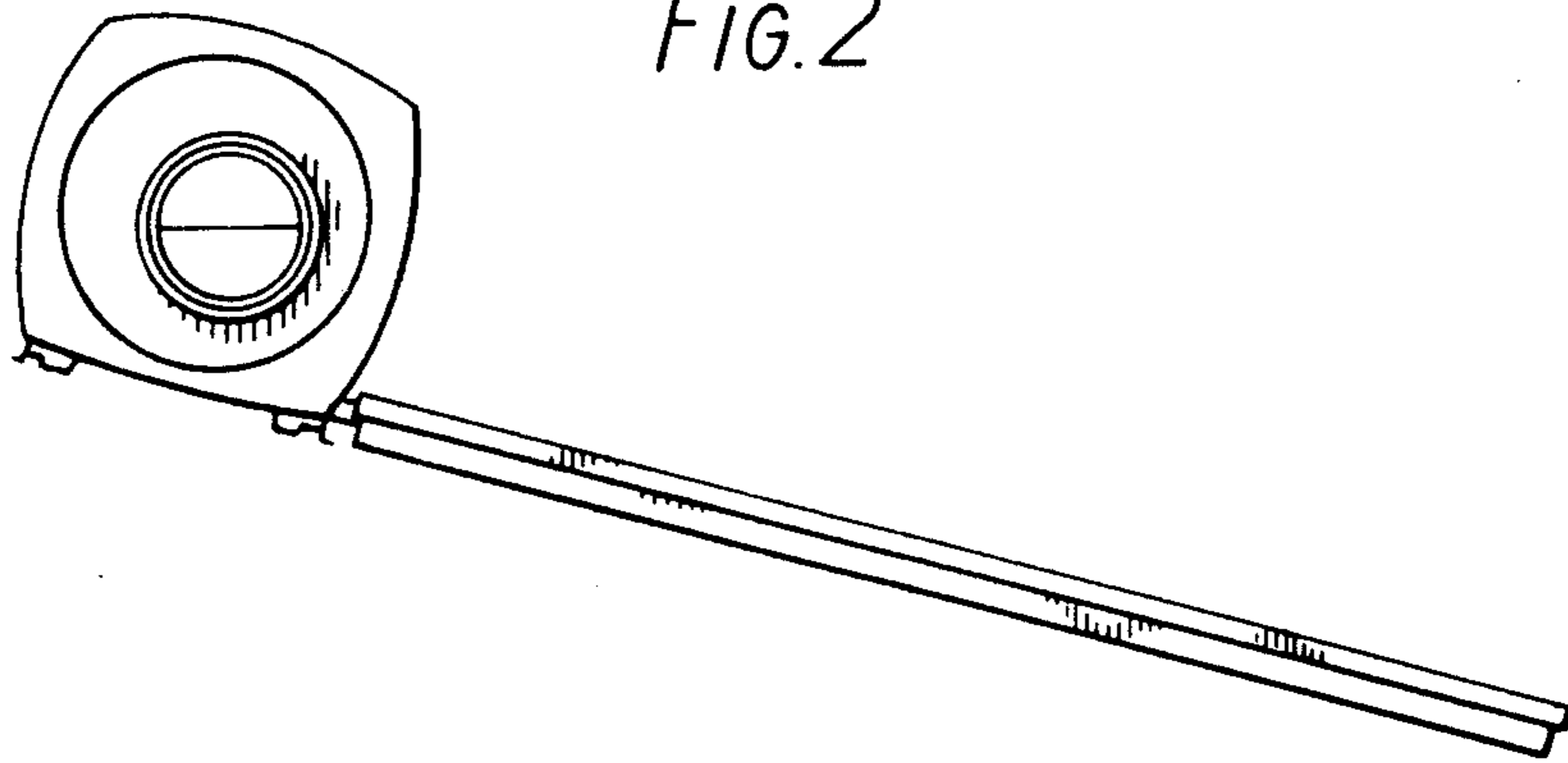


FIG. 3

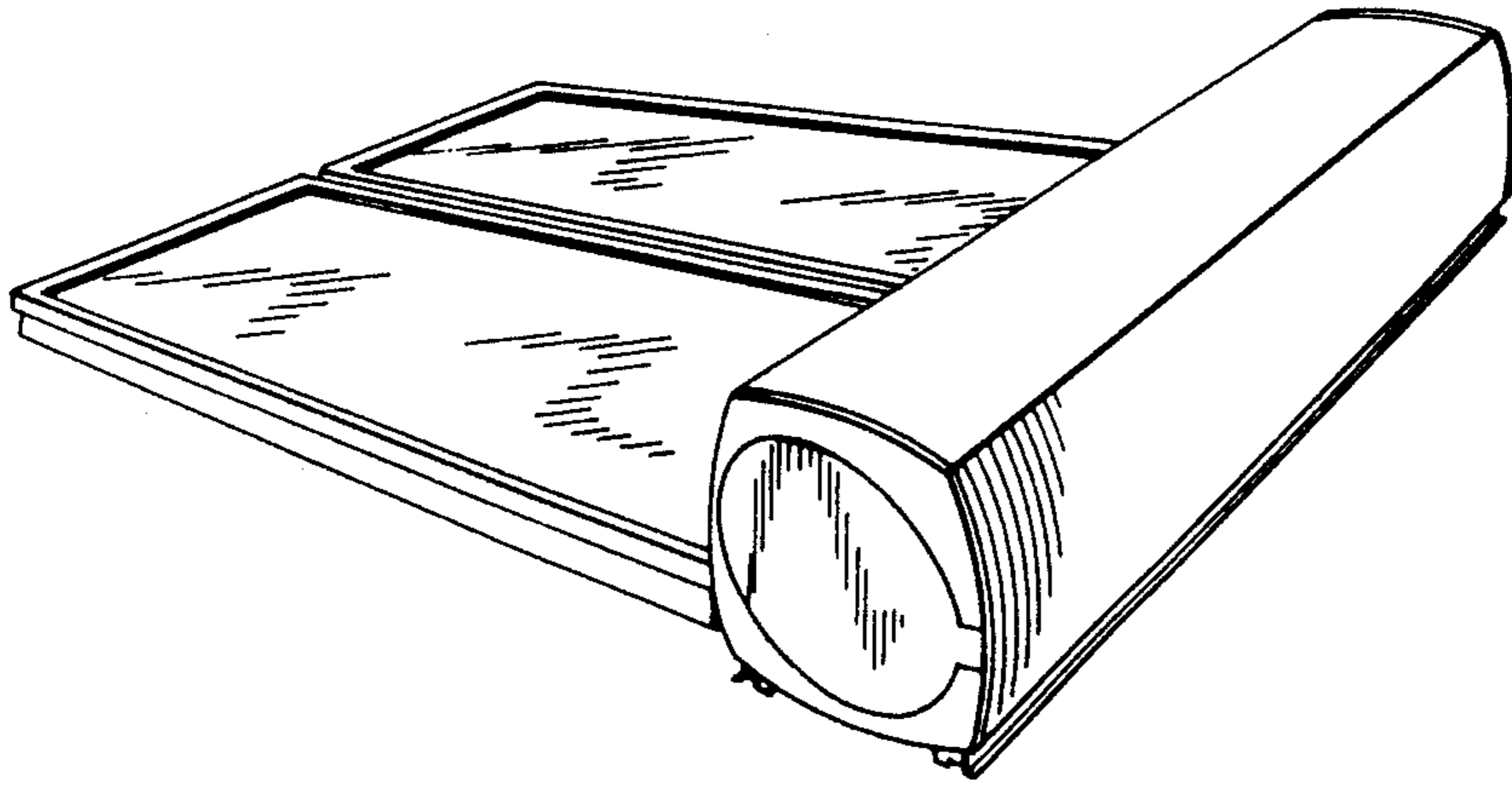


FIG. 4

