

[54] FISHING REEL

[76] Inventor: Kelsie C. Whisenhunt, P.O. Box 45,
Lake Monroe, Fla. 32747

[**] Term: 14 Years

[21] Appl. No.: 834,381

[22] Filed: Sep. 19, 1977

[51] Int. Cl. D22-05

[52] U.S. Cl. D22/25

[58] Field of Search 43/26.1; 242/84.1 A;
D22/25; D25/26

[56]

References Cited

U.S. PATENT DOCUMENTS

D. 223,606	5/1972	Hess	D22/25
D. 226,377	2/1973	Huffman	D22/25
D. 235,258	6/1975	Sugimoto	D22/25

Primary Examiner—A. Hugo Word
Attorney, Agent, or Firm—Duckworth, Hobby, Allen & Pettis

[57]

CLAIM

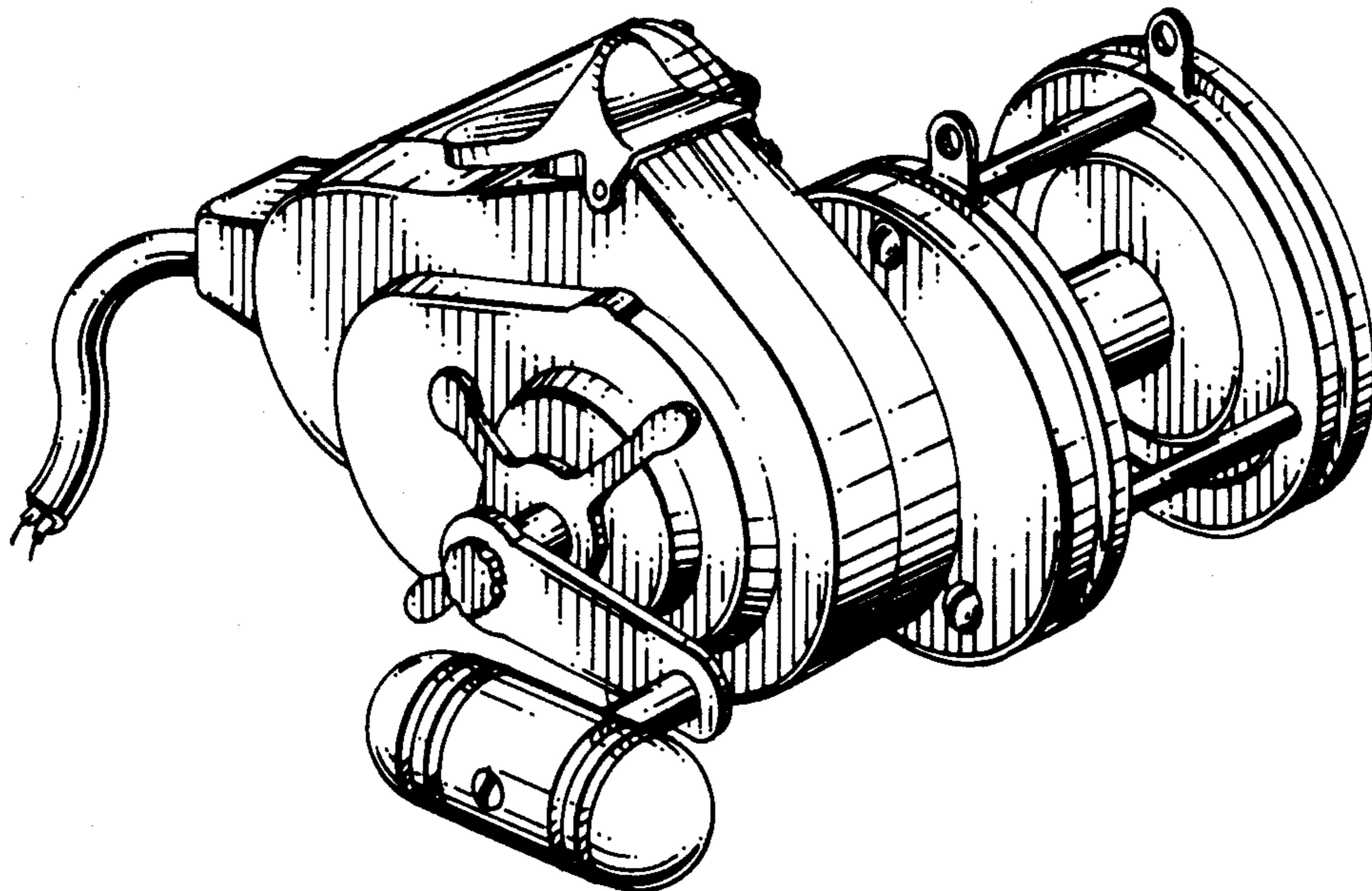
The ornamental design for a fishing reel, as shown.

DESCRIPTION

FIG. 1 is a front perspective view of my new fishing reel;

FIG. 2 is a bottom elevation view; and

FIG. 3 is a side elevation view.



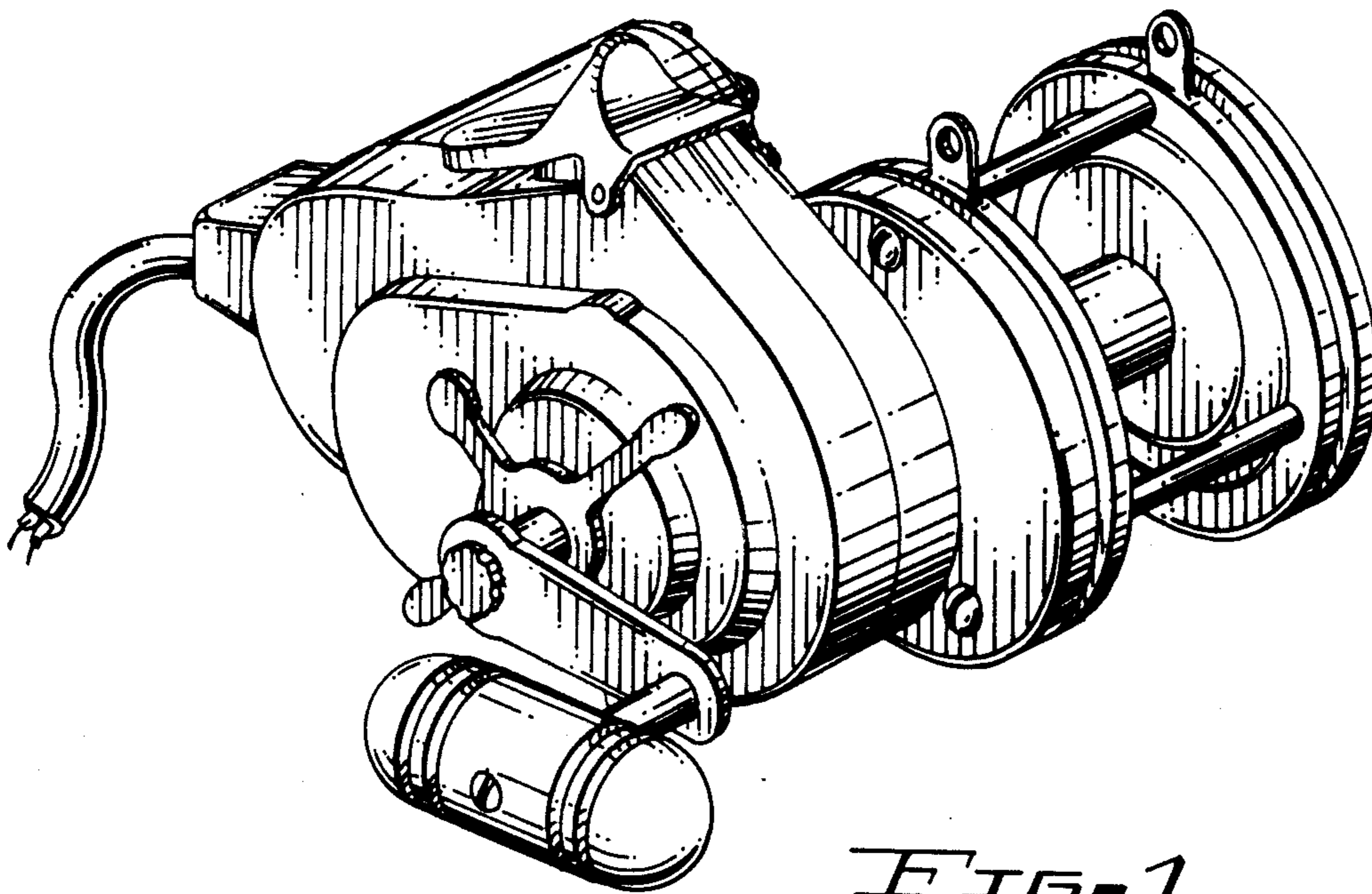


FIG. 1

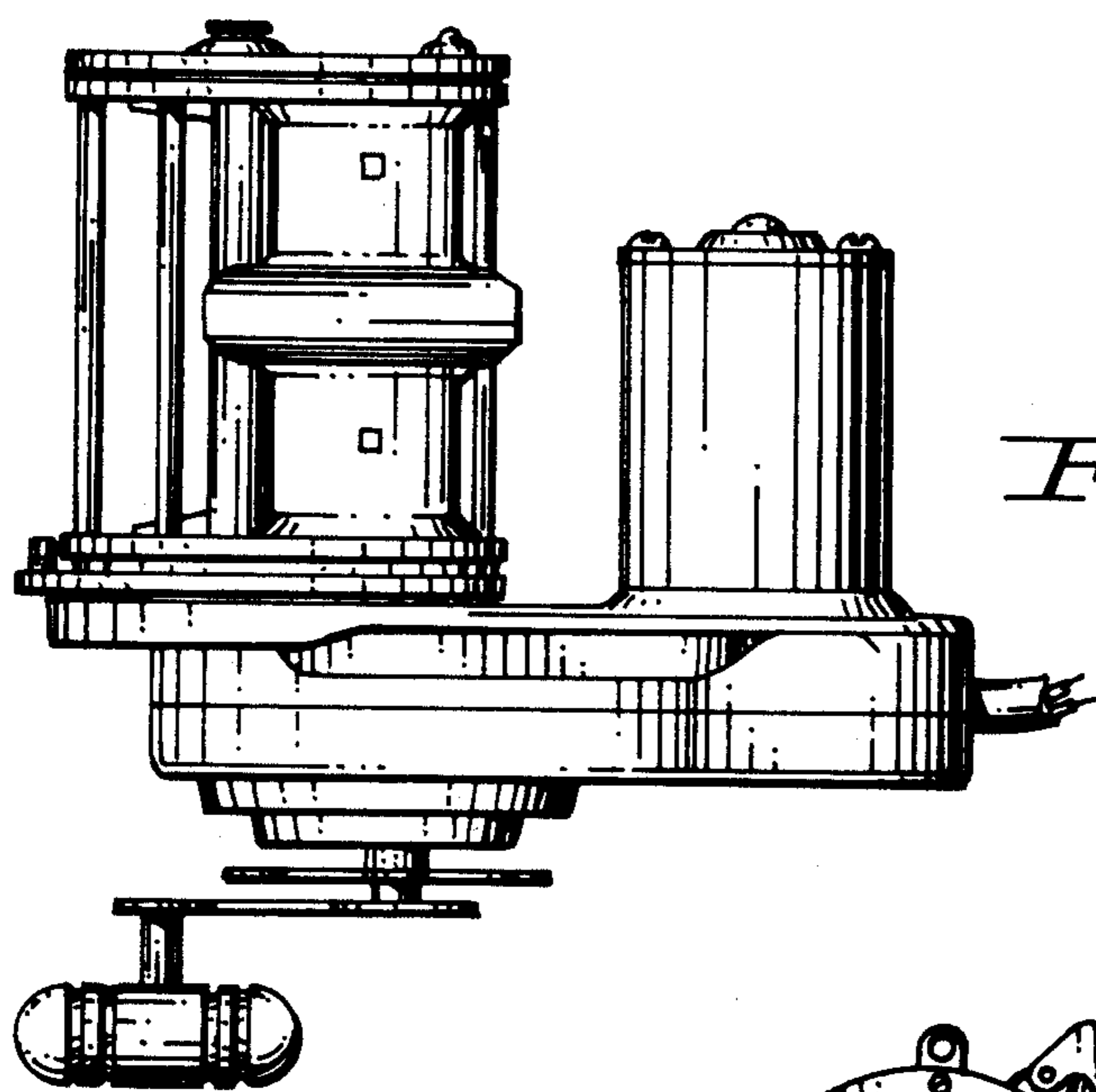


FIG. 2

FIG. 3

