

[54] GUN SIGHT

[76] Inventor: Austin F. Behlert, 33 Herning Ave., Cranford, N.J. 07016

[**] Term: 14 Years

[21] Appl. No.: 868,306

[22] Filed: Jan. 10, 1978

[51] Int. Cl. D22-01

[52] U.S. Cl. D22/8

[58] Field of Search D22/8; 33/233, 234, 33/235, 241, 242, 243; 42/15

[56] References Cited

U.S. PATENT DOCUMENTS

D. 191,112 8/1961 Elliason D22/8

D. 199,065 9/1964 Korzeniewski D22/8
D. 232,232 7/1974 Korzeniewski D22/8

Primary Examiner—A. Hugo Word
Attorney, Agent, or Firm—Lawrence I. Lerner

[57] CLAIM

The ornamental design for a gun sight, as shown.

DESCRIPTION

FIG. 1 is a perspective view of the gun sight embodying my new design;

FIG. 2 is a top plan view thereof;

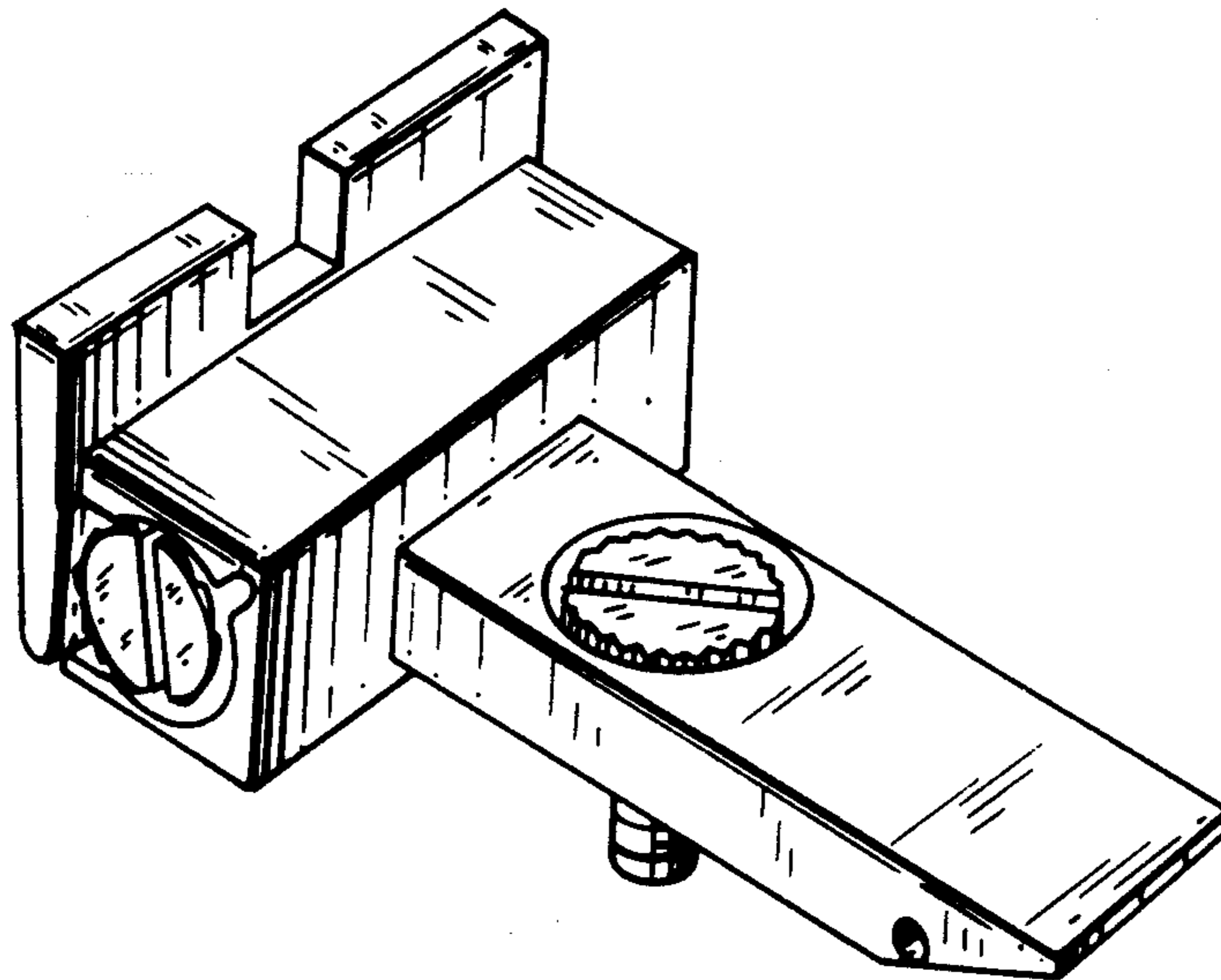
FIG. 3 is a bottom plan view thereof;

FIG. 4 is a front elevational view thereof;

FIG. 5 is a back elevational view thereof;

FIG. 6 is a left side elevational view thereof; and

FIG. 7 is a right side elevational view thereof.



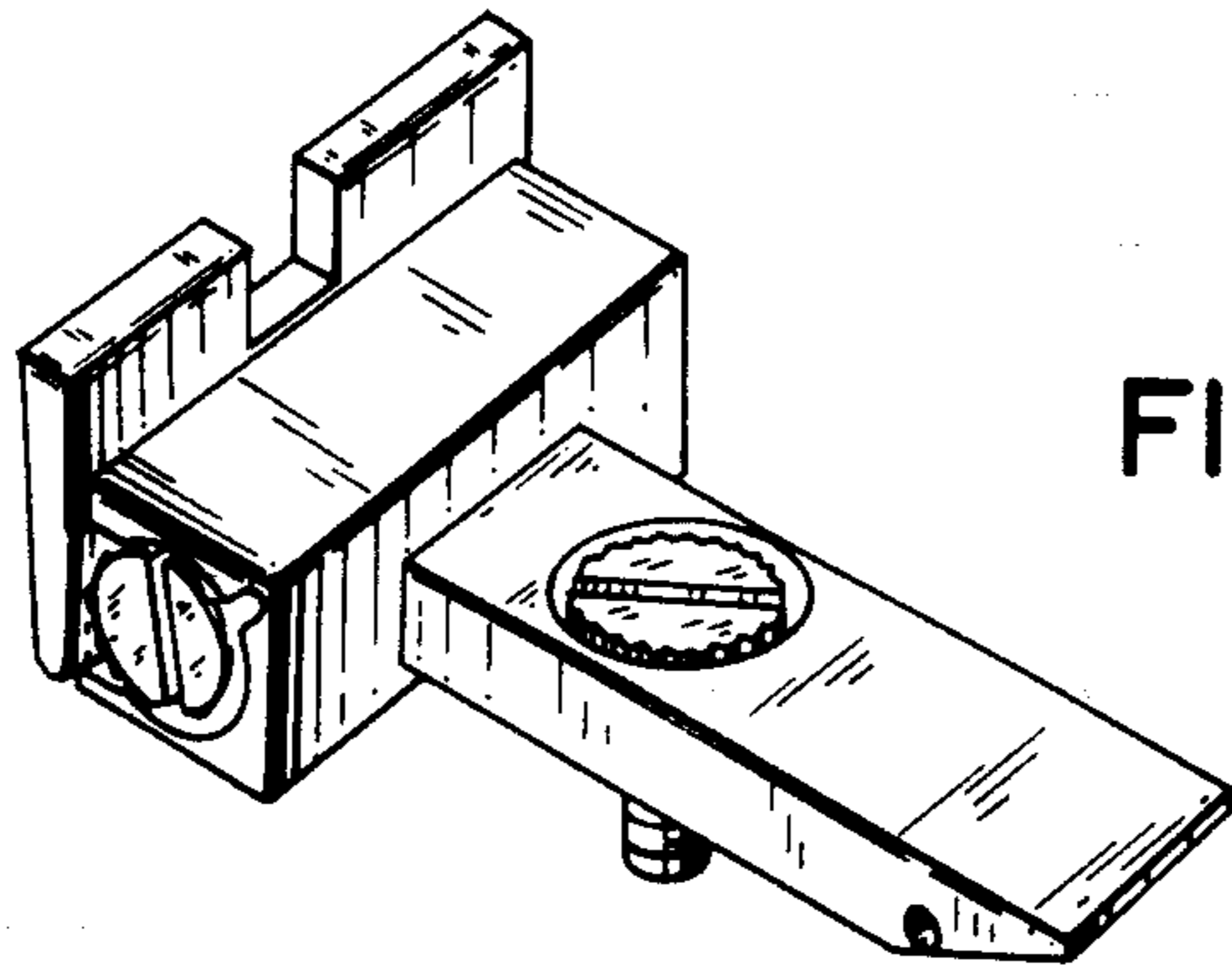


FIG. 1

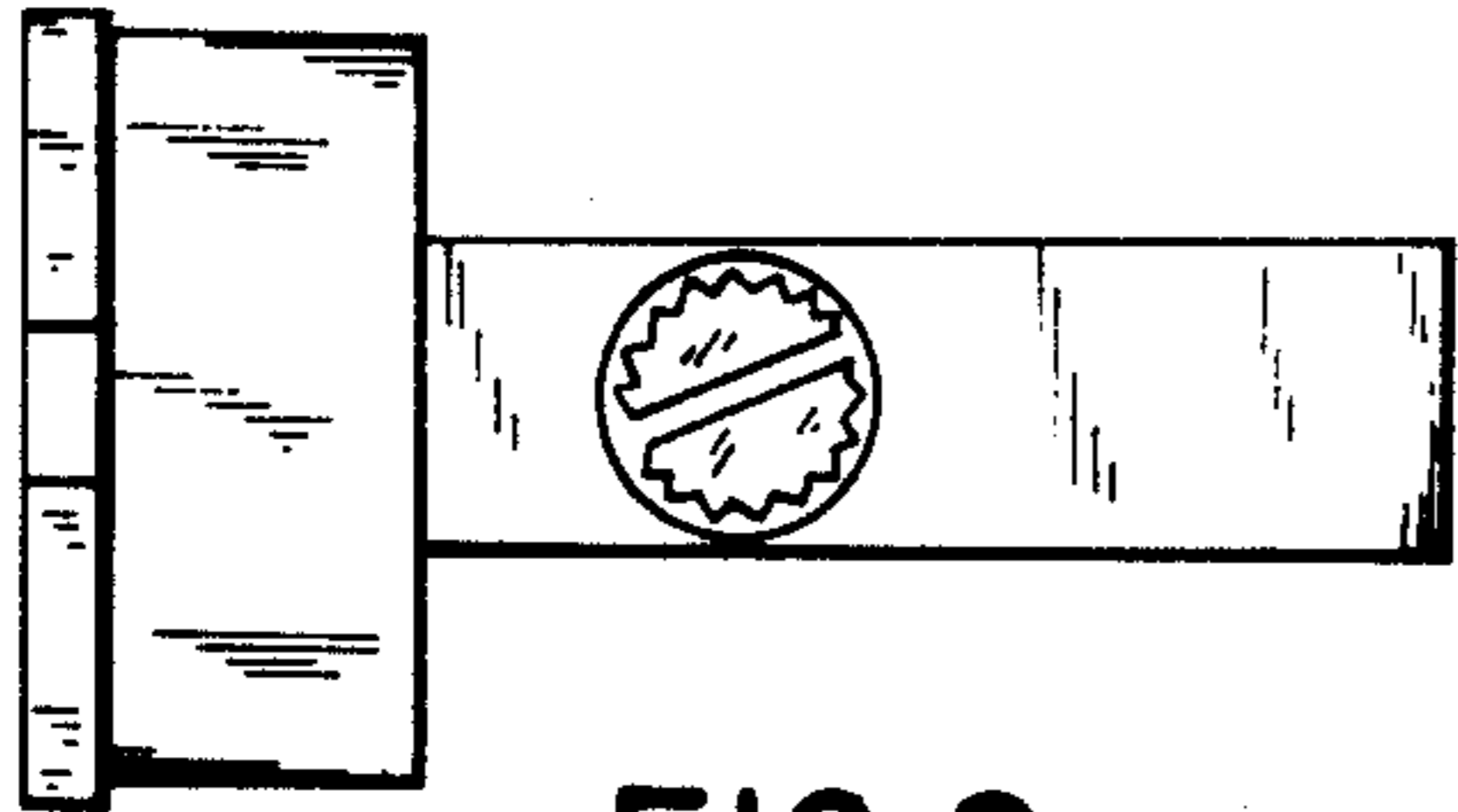


FIG. 2

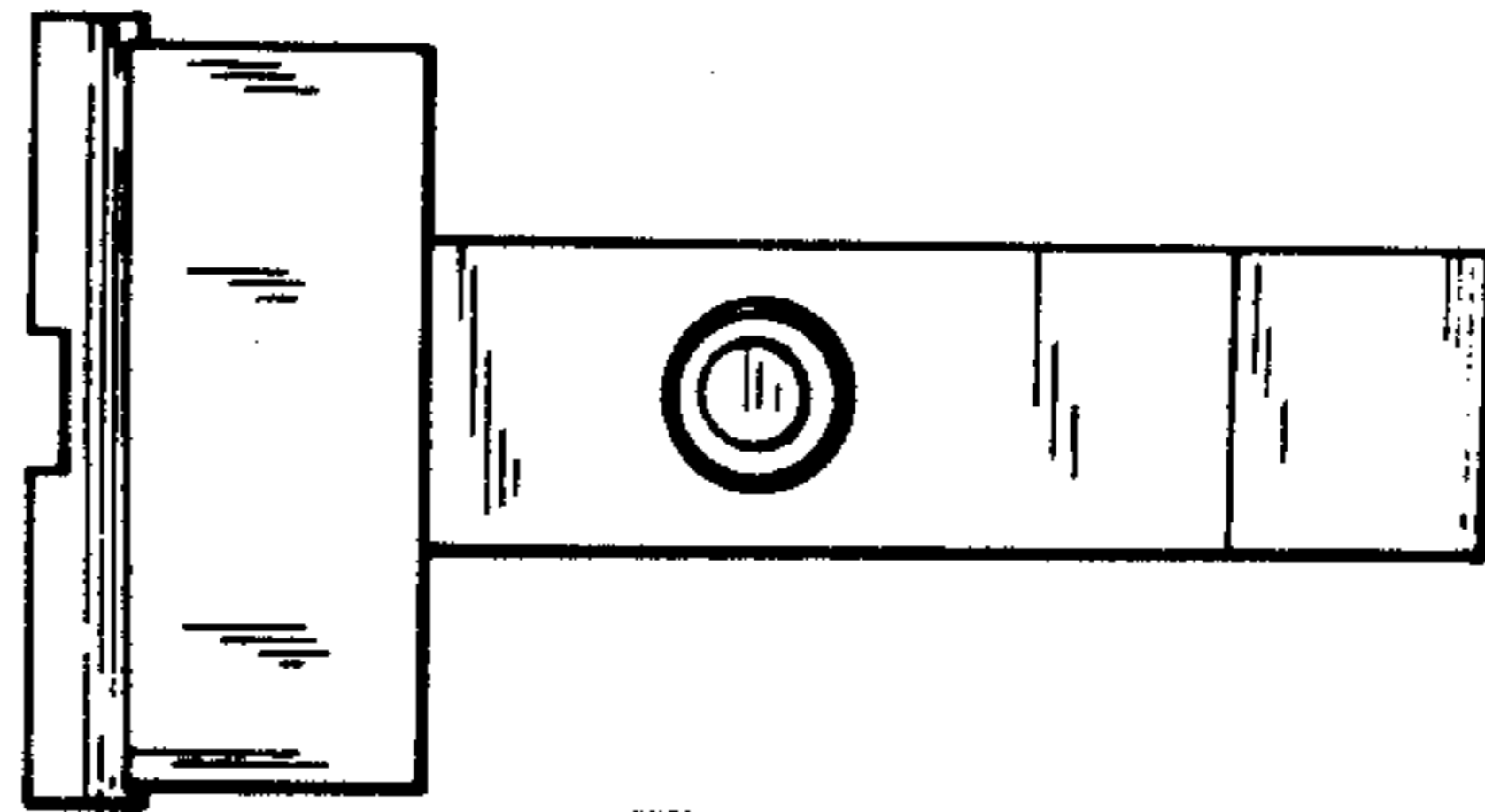


FIG. 3

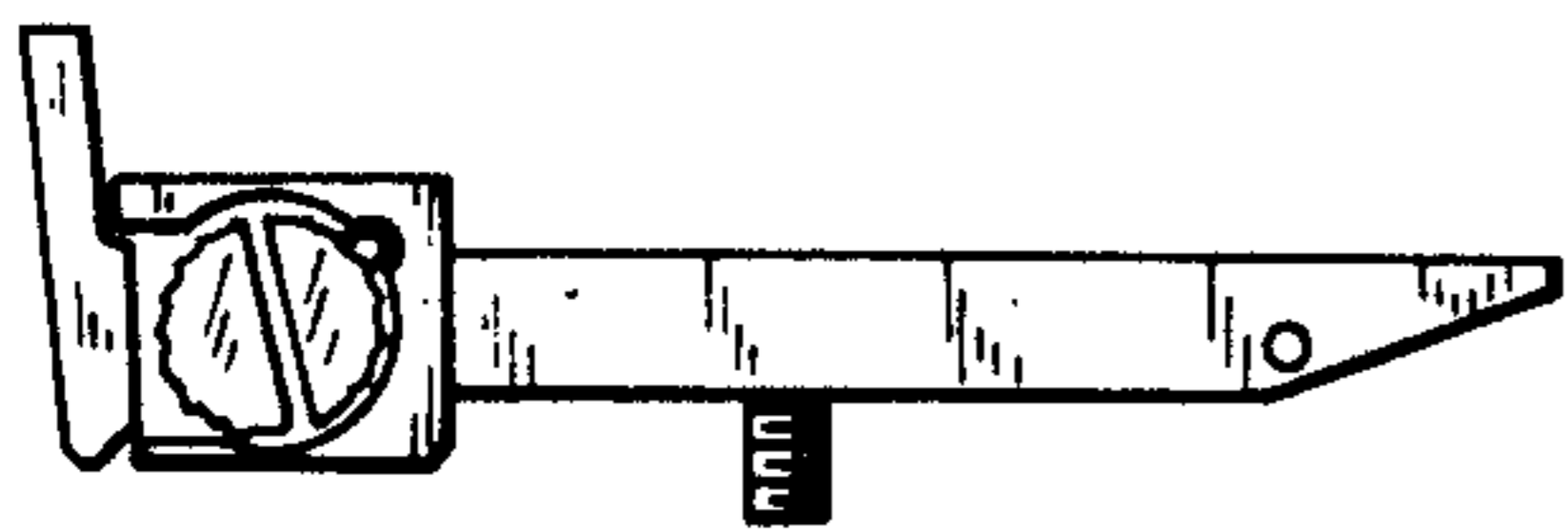


FIG. 4

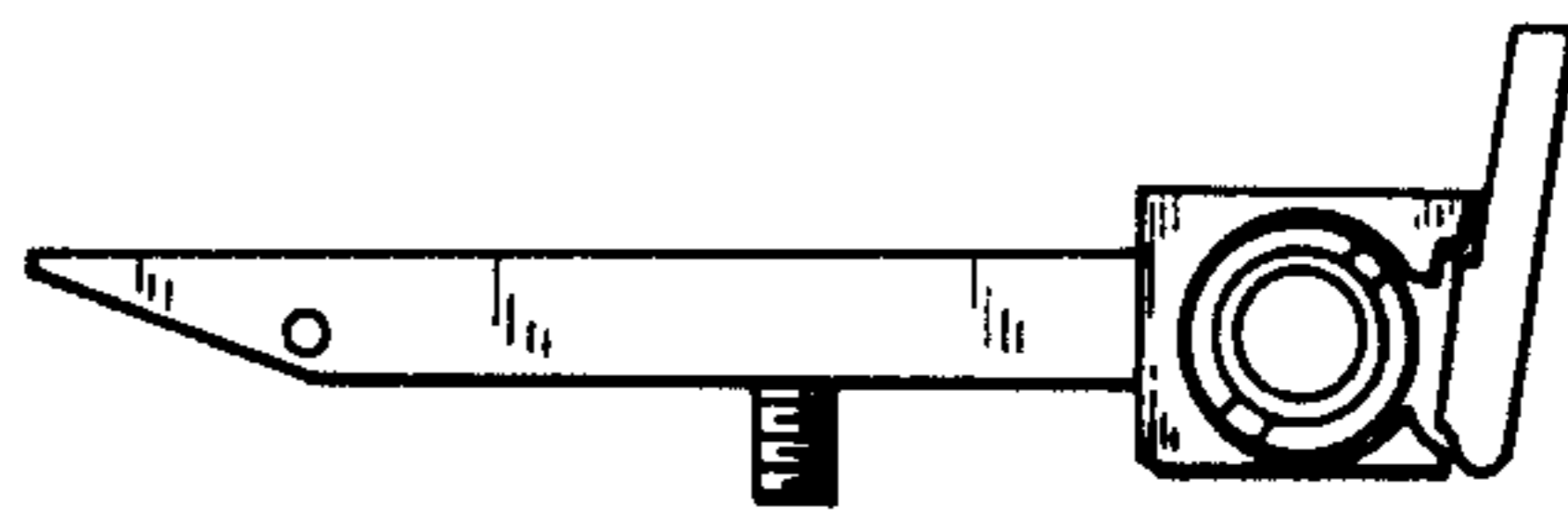


FIG. 5

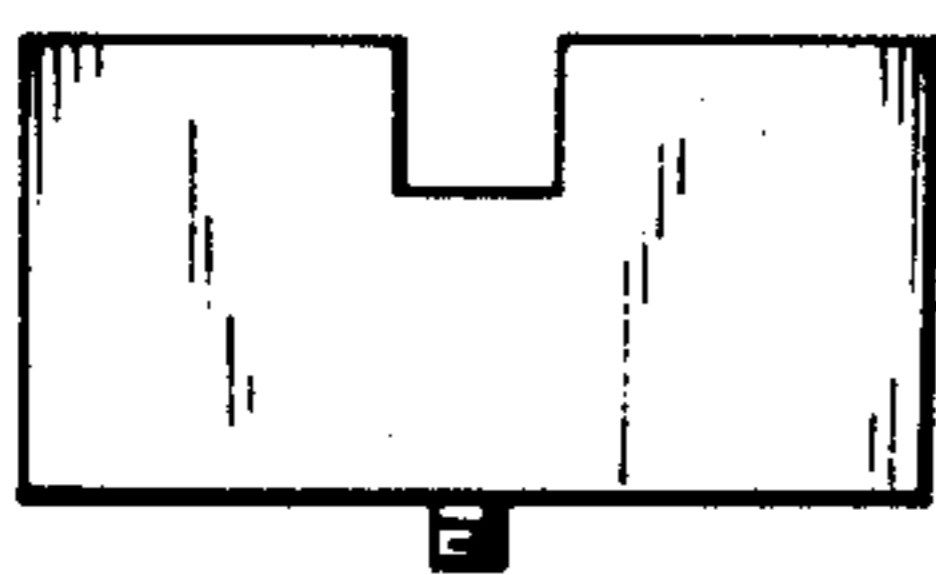


FIG. 6

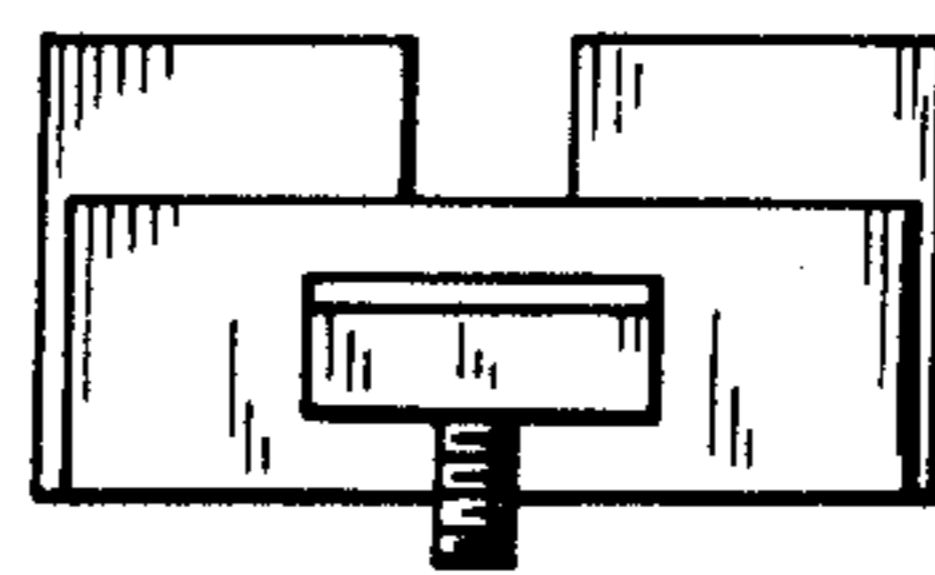


FIG. 7