

[54] EXERCYCLE

[75] Inventor: **Tore L. Gustafsson**, Varberg, Sweden

[73] Assignee: **Monark-Crescent AB**, Varberg, Sweden

[\*\*] Term: **14 Years**

[21] Appl. No.: **814,865**

[22] Filed: **Jul. 12, 1977**

[30] Foreign Application Priority Data

May 5, 1977 [SE] Sweden ..... 771014

[51] Int. Cl. .... **D21-02**

[52] U.S. Cl. .... **D21/194**

[58] Field of Search ..... **D21/191, 194, 199; 272/132, 73, 116, 134**

[56]

References Cited

U.S. PATENT DOCUMENTS

D. 193,437	8/1962	Maratta .....	D21/195
D. 243,028	1/1977	Proctor .....	D21/194
D. 250,135	10/1978	Moyski et al. ....	D21/194
3,995,491	12/1976	Wolfla .....	272/73

*Primary Examiner*—Joel Stearman  
*Assistant Examiner*—Charles A. Rademaker  
*Attorney, Agent, or Firm*—Charles A. Laff

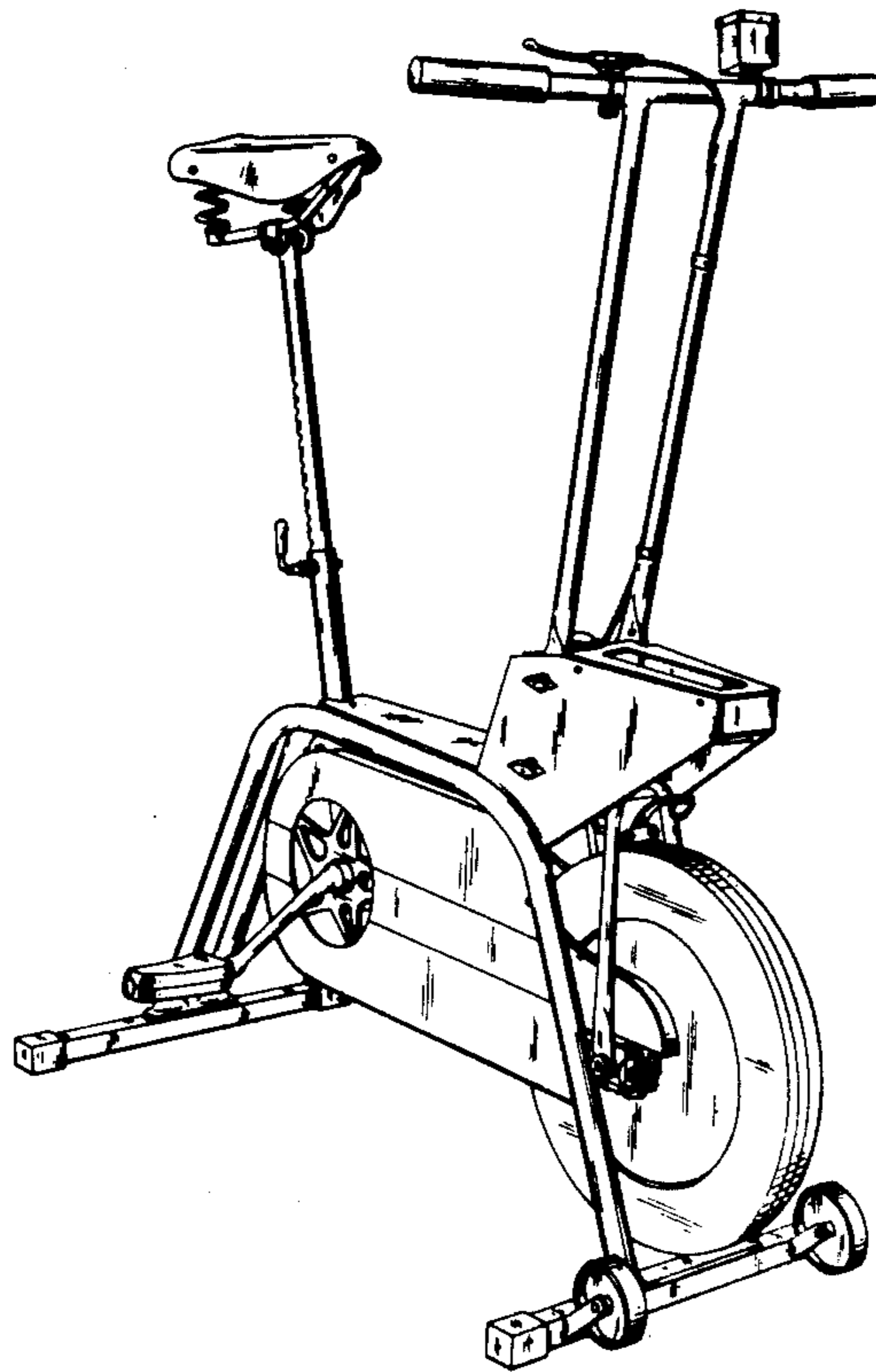
[57]

CLAIM

The ornamental design for an exercycle, as shown.

DESCRIPTION

FIG. 1 is a right side perspective view of an exercycle showing my new design;  
FIG. 2 is a left side perspective view thereof; and,  
FIG. 3 is a right rear perspective view thereof.



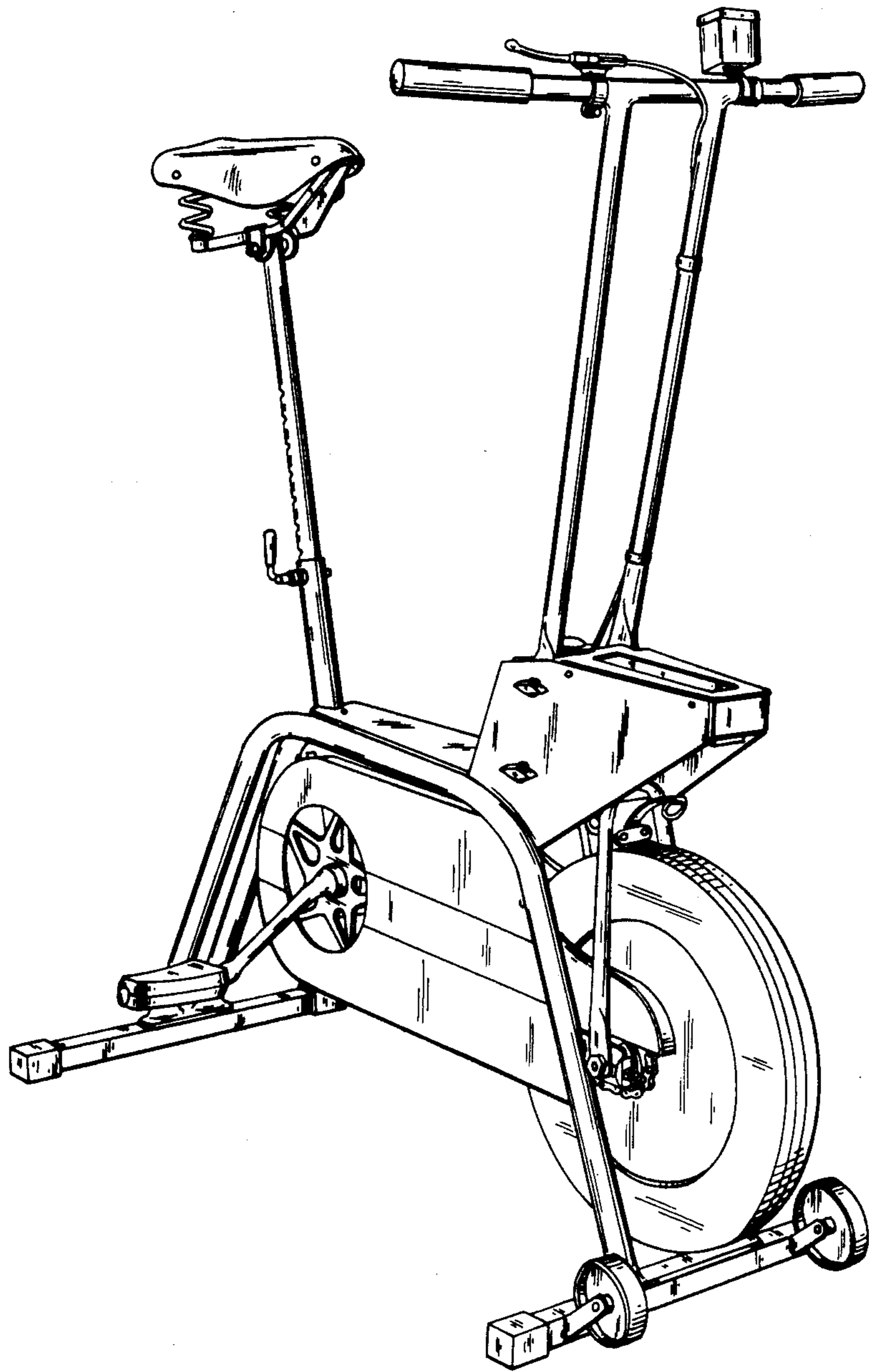


FIG. 1

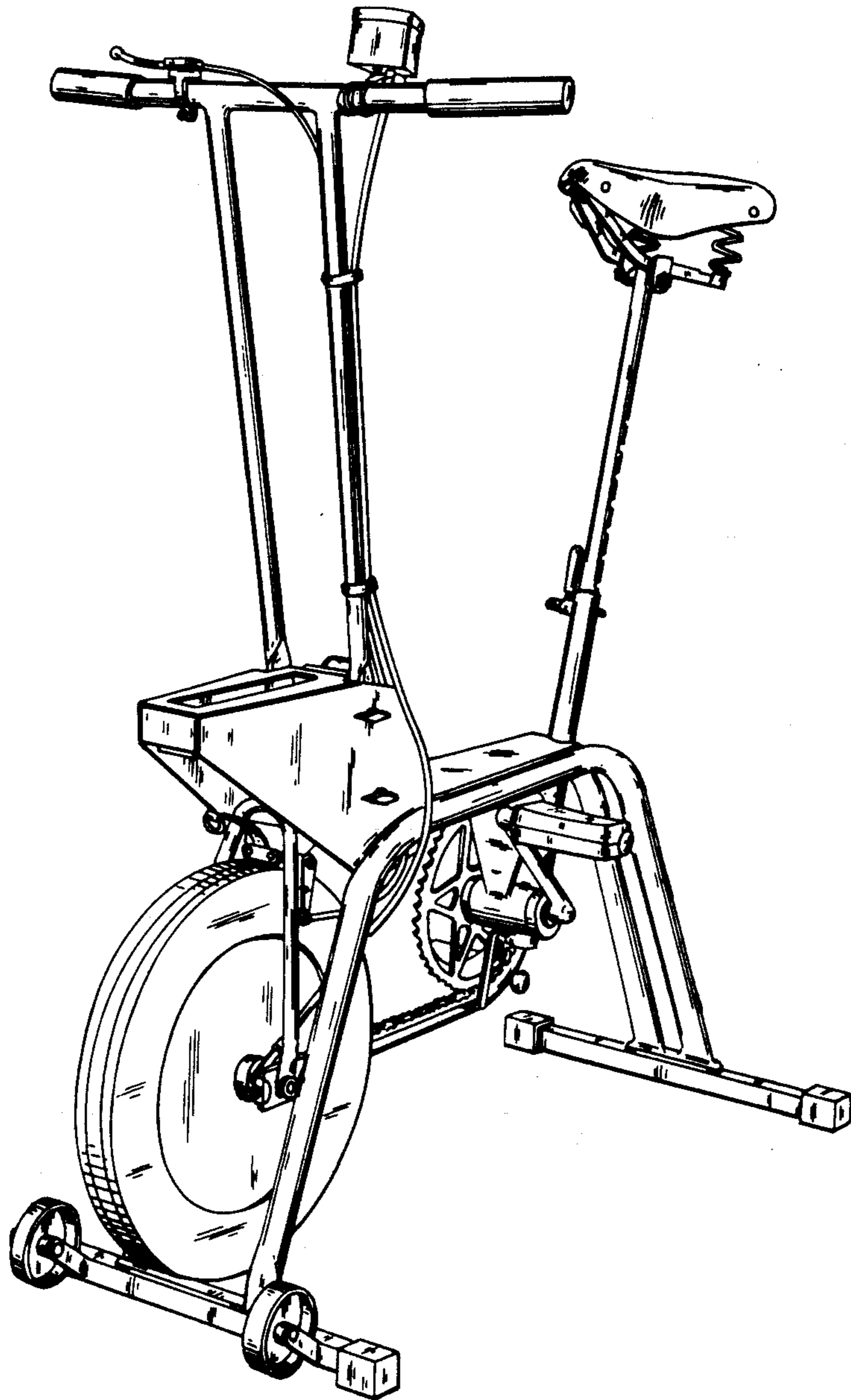


FIG. 2

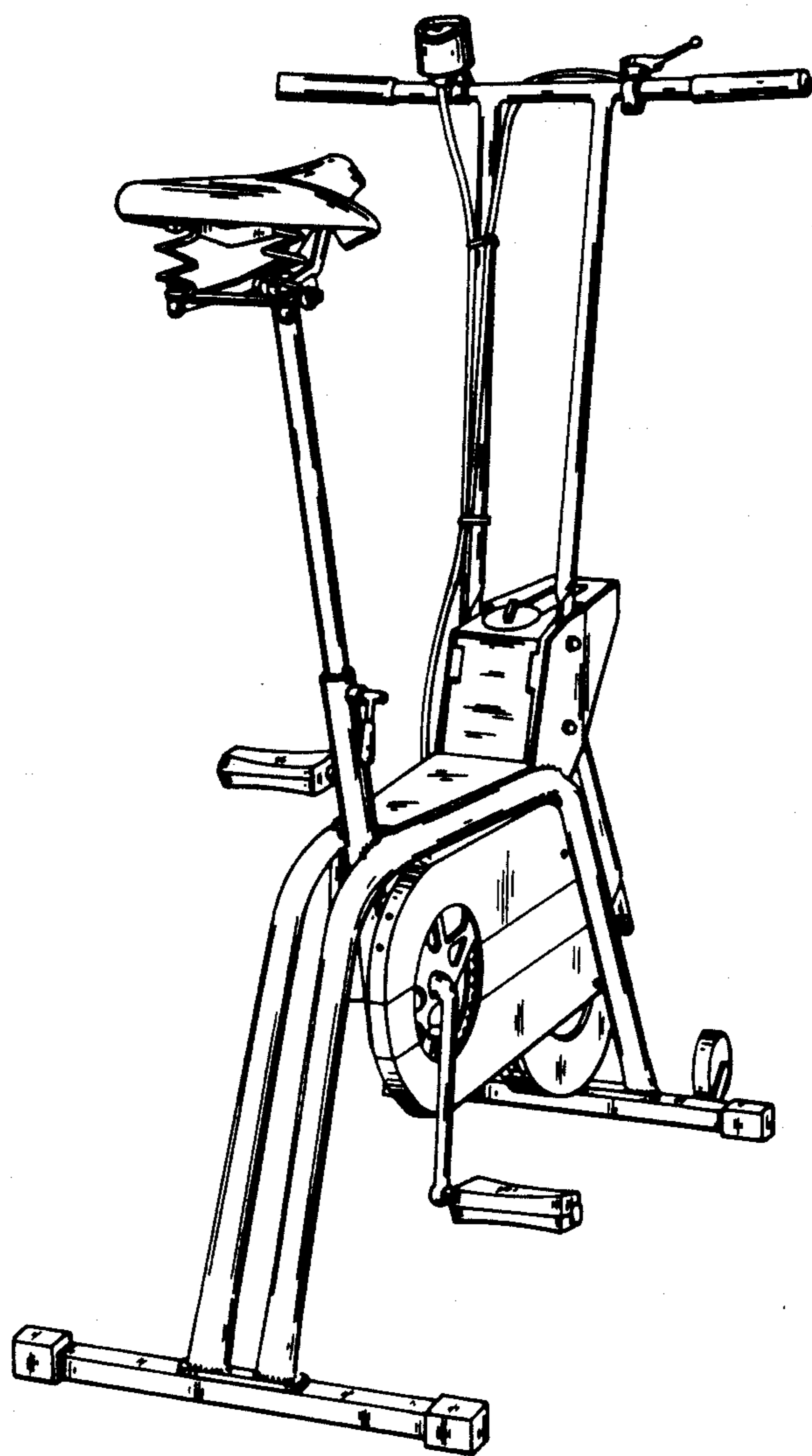


FIG. 3