

[54] INSTRUMENT FOR DRAWING A MUSIC STAFF OR THE LIKE

[76] Inventor: Janet S. Burrows, 8537 Schnepfe Dr., San Diego, Calif. 92126

[\*\*] Term: 14 Years

[21] Appl. No.: 843,642

[22] Filed: Oct. 19, 1977

[51] Int. Cl. .... D19-06

[52] U.S. Cl. .... D19/36

[58] Field of Search ..... D19/35, 36, 41, 43; D9/223, 224; D28/21, 31; 401/29-30, 34, 35; 33/41 D

[56] References Cited

U.S. PATENT DOCUMENTS

D. 213,175	1/1969	Bath .....	D9/224
2,680,296	6/1954	Cronberger .....	401/29
3,128,935	4/1964	Ricca .....	D9/224
3,164,906	1/1965	Andalora .....	33/41 D

3,994,040 11/1976 Distefano ..... D28/31

FOREIGN PATENT DOCUMENTS

1348135 3/1974 United Kingdom ..... 401/35

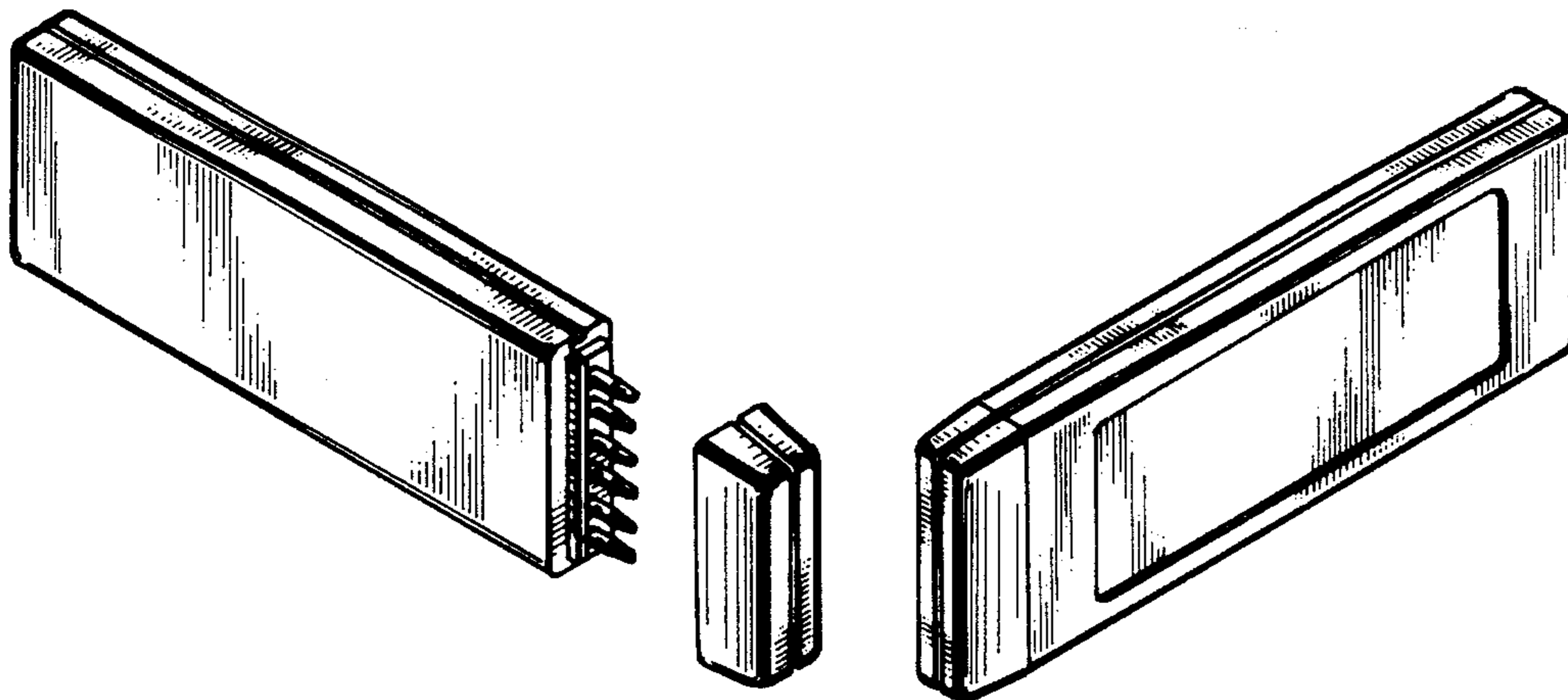
Primary Examiner—Joel Stearman  
Assistant Examiner—George P. Word  
Attorney, Agent, or Firm—Frank D. Gilliam

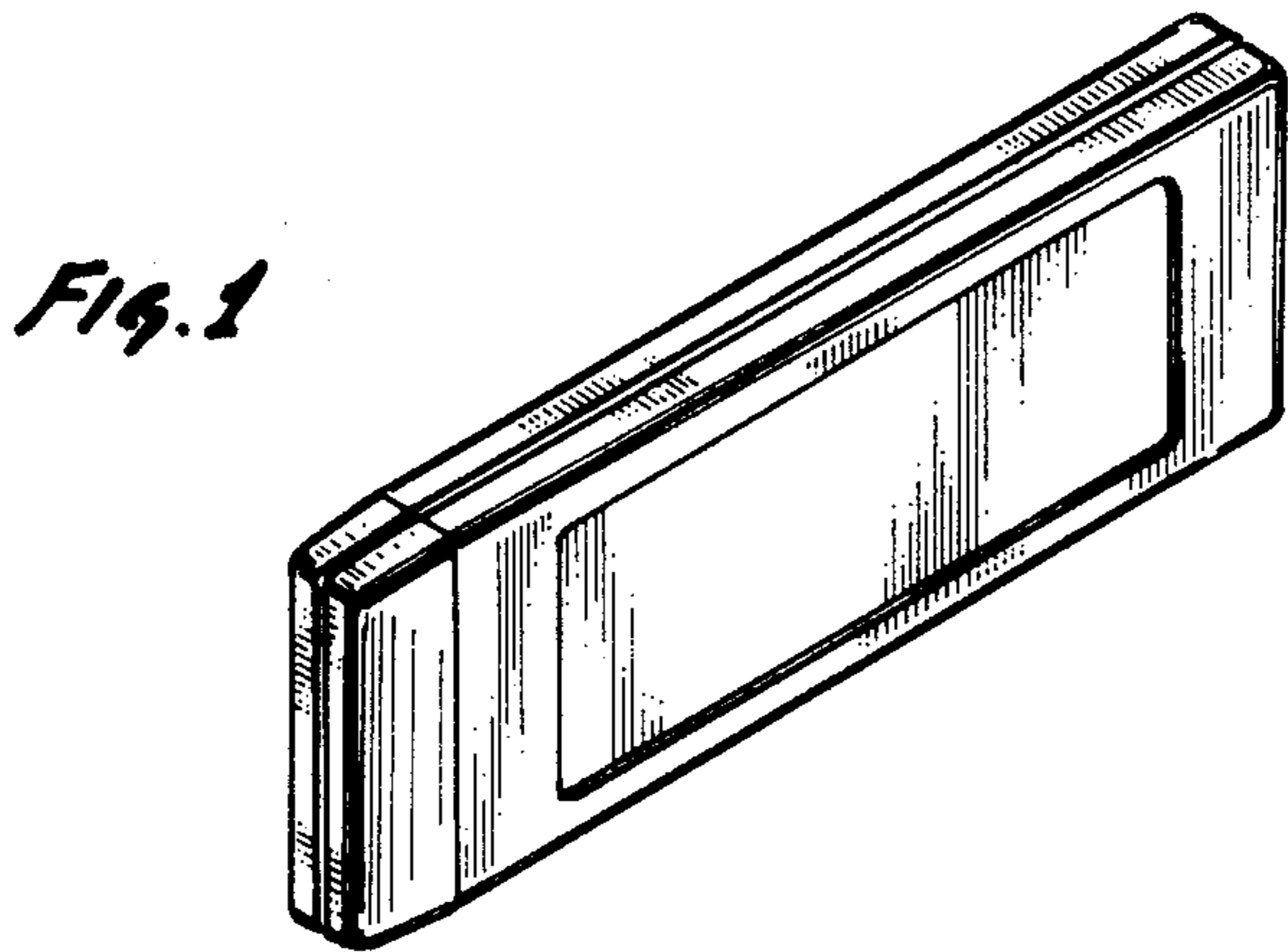
[57] CLAIM

The ornamental design for an instrument for drawing a music staff or the like, substantially as shown and described.

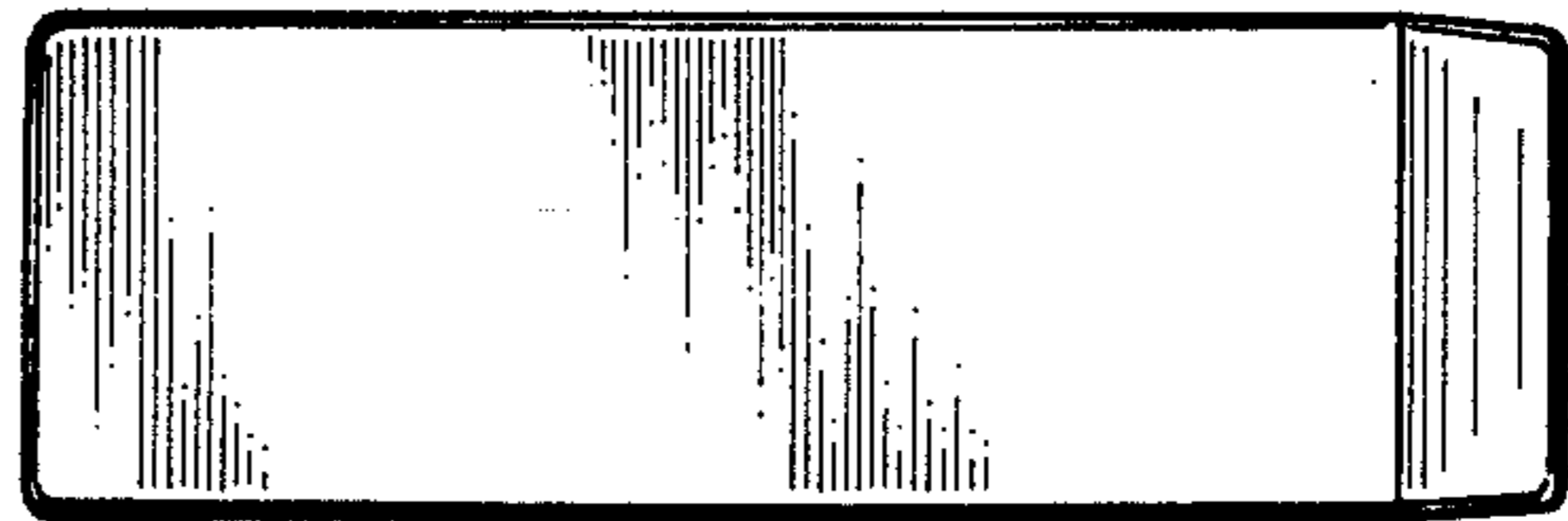
DESCRIPTION

FIG. 1 is a perspective view of an instrument for drawing a music staff or the like showing my new design; FIG. 2 is a rear elevational view; FIG. 3 is a top plan view; FIG. 4 is an end elevational view; FIG. 5 is a front elevational view with the cover removed to expose the pen elements; and FIG. 6 is a rear perspective view thereof.



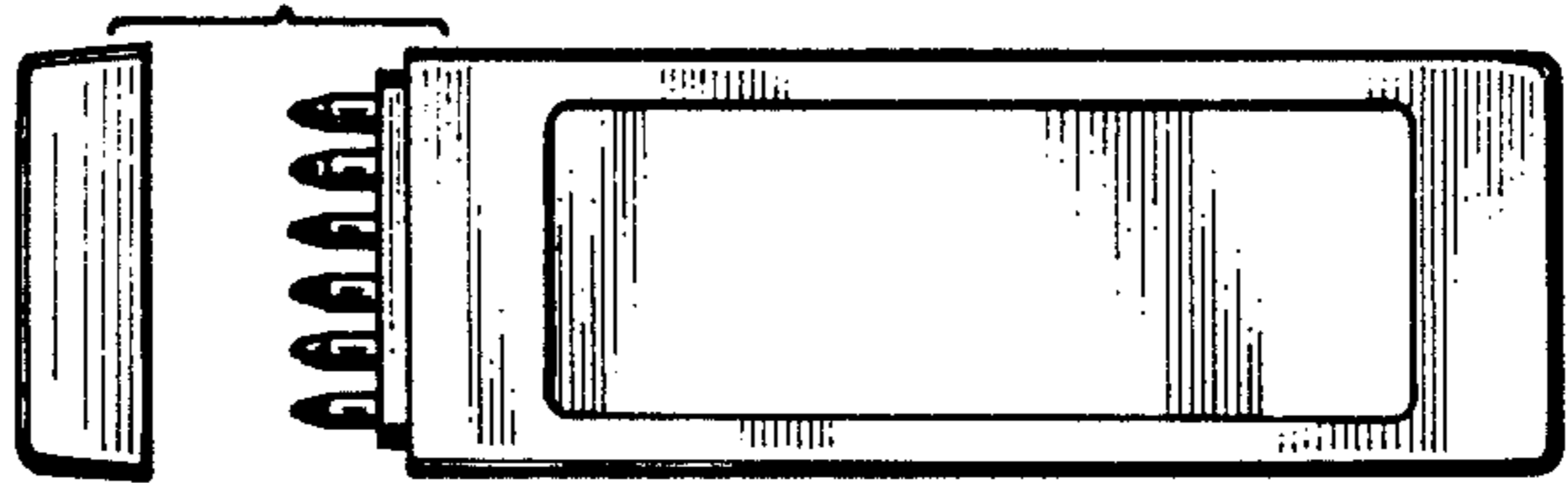


*Fig. 2*



*Fig. 4*

*Fig. 3*



*Fig. 5*

