

[54] **AERATOR FOR SWIMMING POOLS OR THE LIKE**

4,057,372 11/1977 Johnson et al. 417/424
4,115,878 9/1978 Johnson et al. 4/180

[75] Inventors: **Lawrence E. Johnson**, Dana Point;
William W. Conger, IV, Santa Ana,
both of Calif.

Primary Examiner—James R. Largen
Attorney, Agent, or Firm—Richard L. Gausewitz

[73] Assignee: **South Pacific Industries, Inc.**, Santa Ana, Calif.

[57] **CLAIM**

The design for an aerator for swimming pools or the like, substantially as shown and described.

[**] Term: **14 Years**

DESCRIPTION

[21] Appl. No.: **806,582**

FIG. 1 is a perspective view taken from the top, front and one side of an aerator for swimming pools or the like showing our new design;

[22] Filed: **Jun. 15, 1977**

FIG. 2 is an elevational view taken from the side opposite that shown in FIG. 1;

[51] Int. Cl. **D15-02**

[52] U.S. Cl. **D15/7**

[58] Field of Search **D15/7, 8-9;**
D23/139-167; 4/172.15, 172.17, 178-180

FIG. 3 is a rear elevational view thereof;

FIG. 4 is a top plan view thereof;

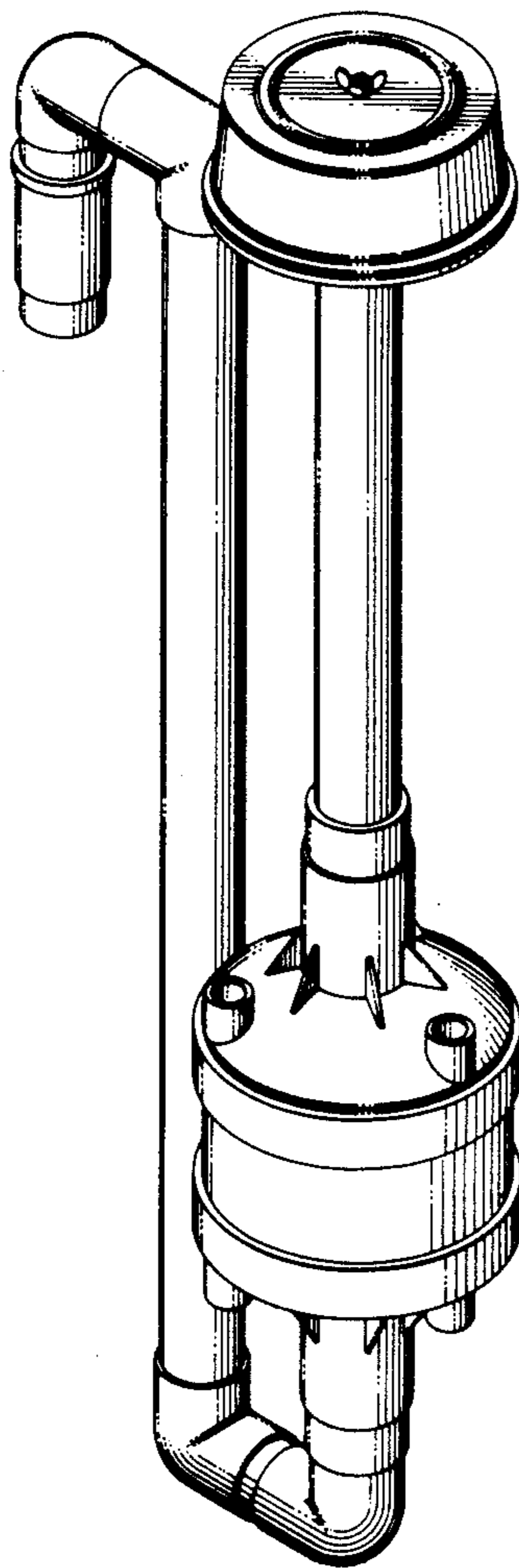
FIG. 5 is a bottom plan view thereof; and

FIG. 6 is a perspective view taken from the top, front and one side of a modified form of the aerator for swimming pools or the like shown in FIG. 1, wherein said modification resides in the elongated aerator housing.

[56] **References Cited**

U.S. PATENT DOCUMENTS

D. 241,172 8/1976 Johnson **D15/7**



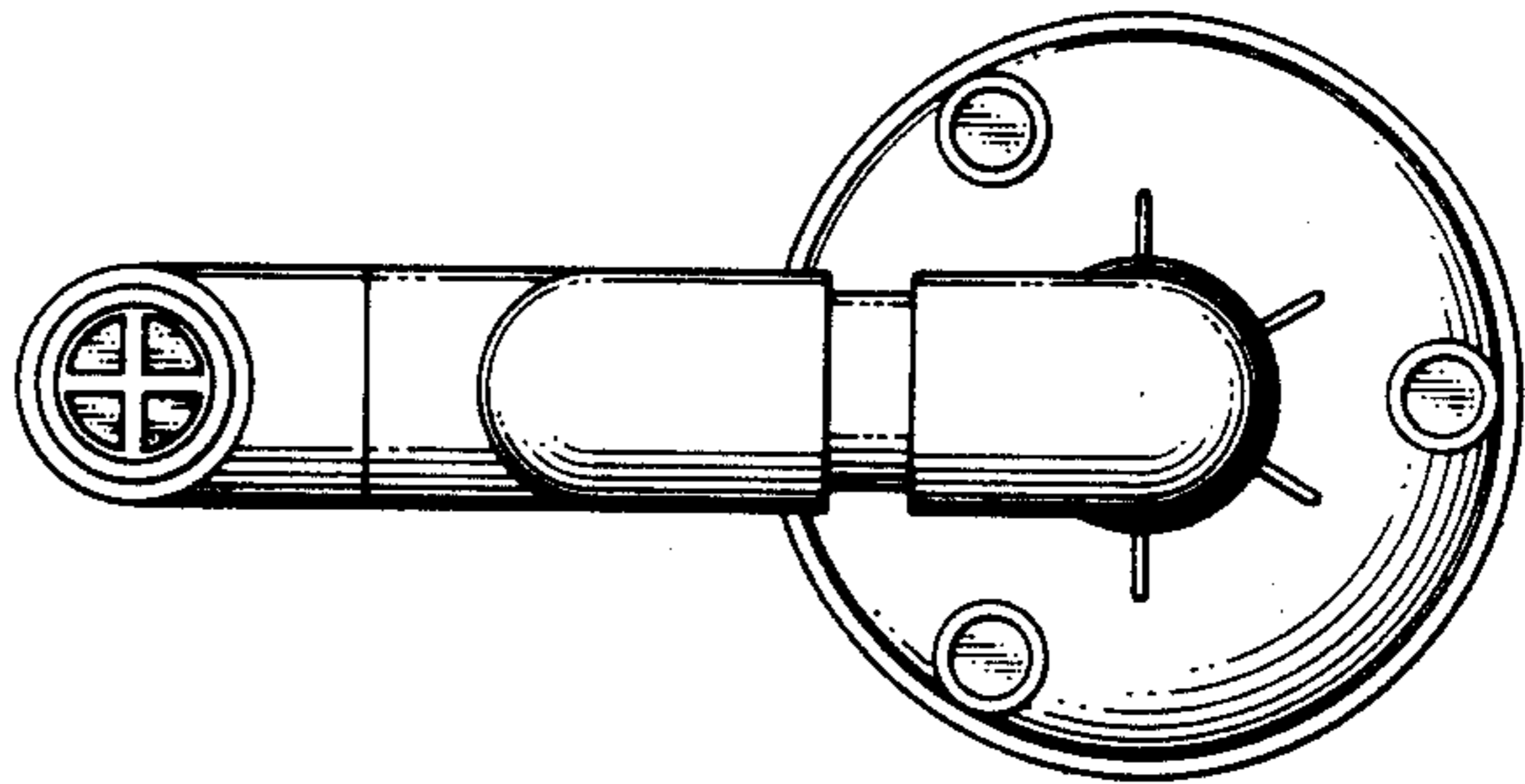
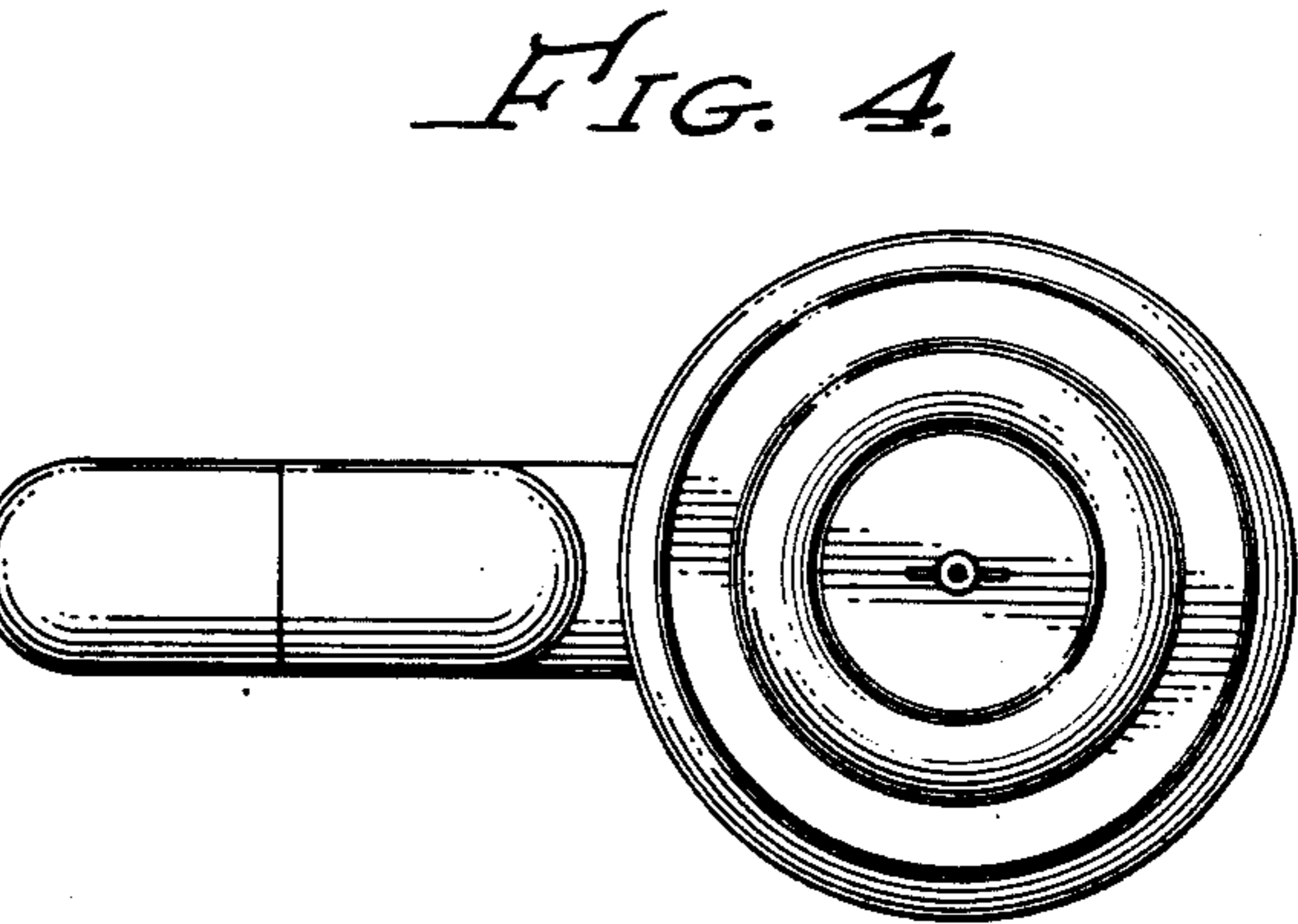
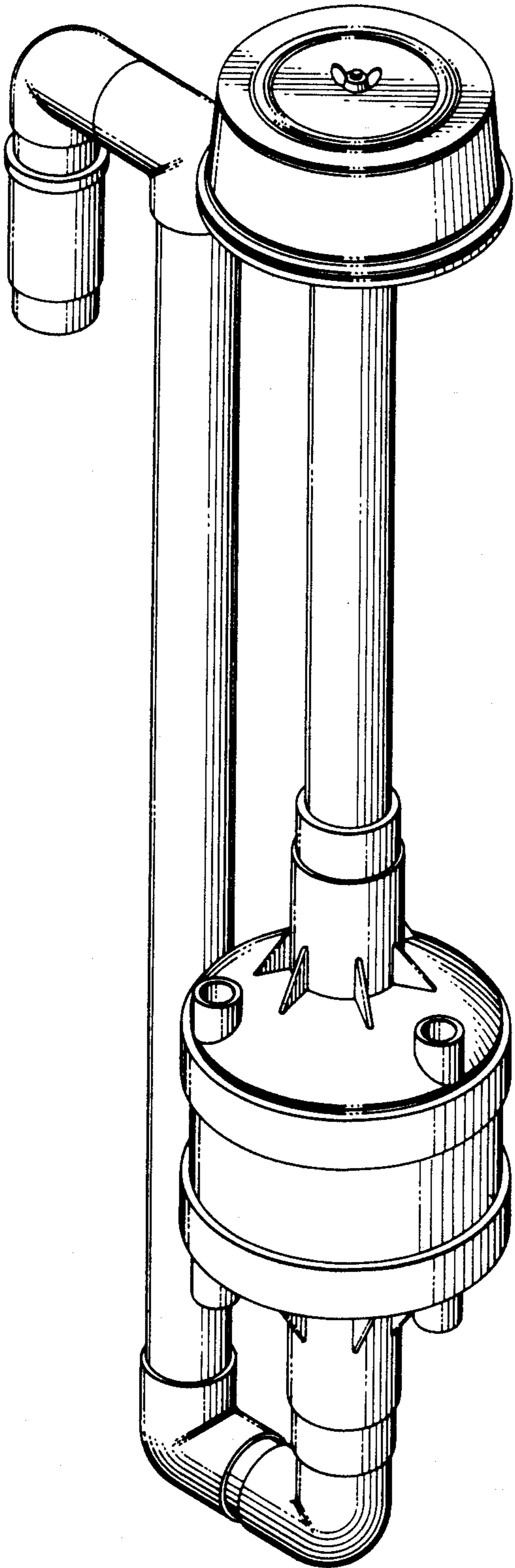


FIG. 5.

FIG. 1.

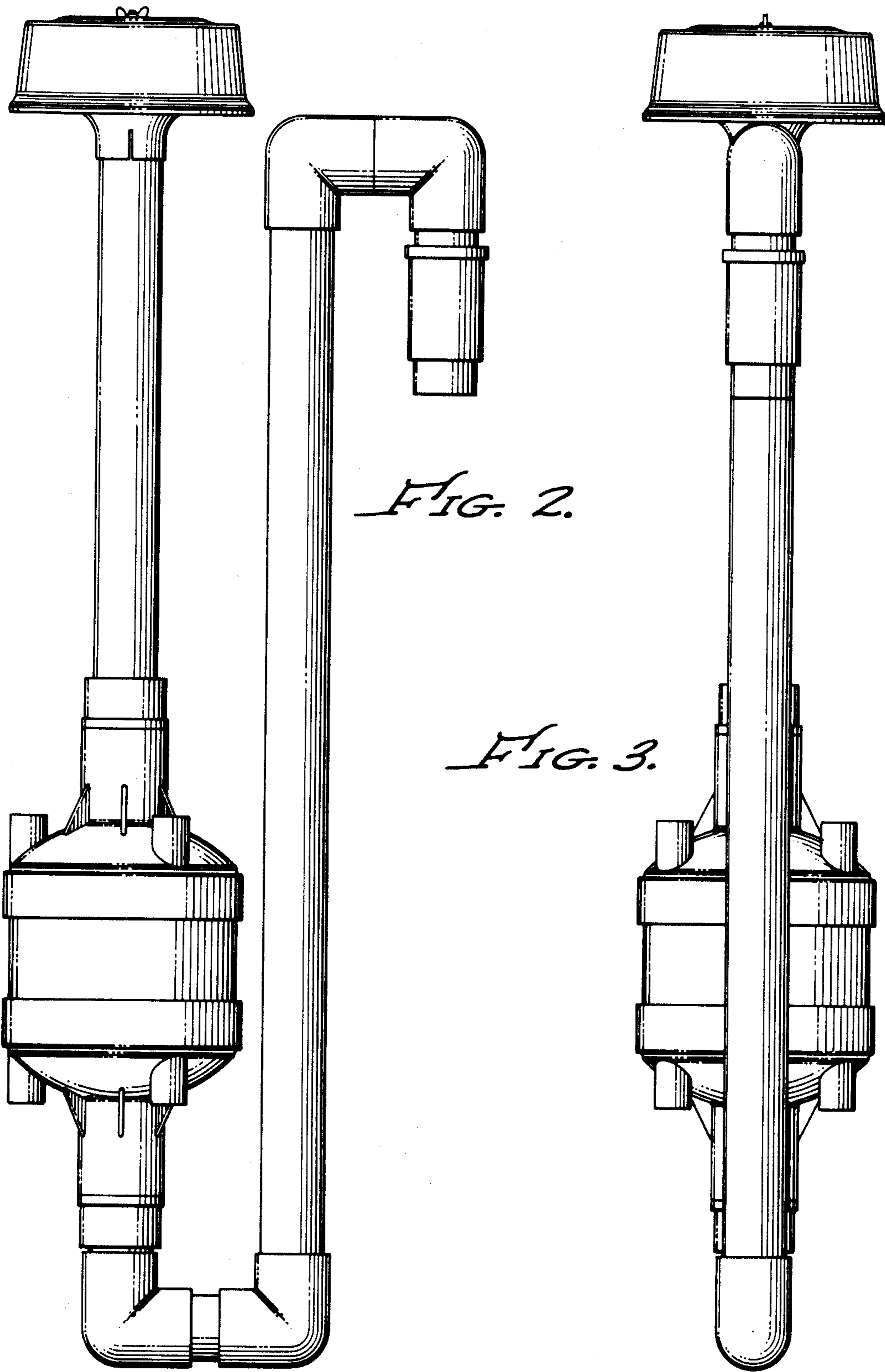


FIG. 2.

FIG. 3.

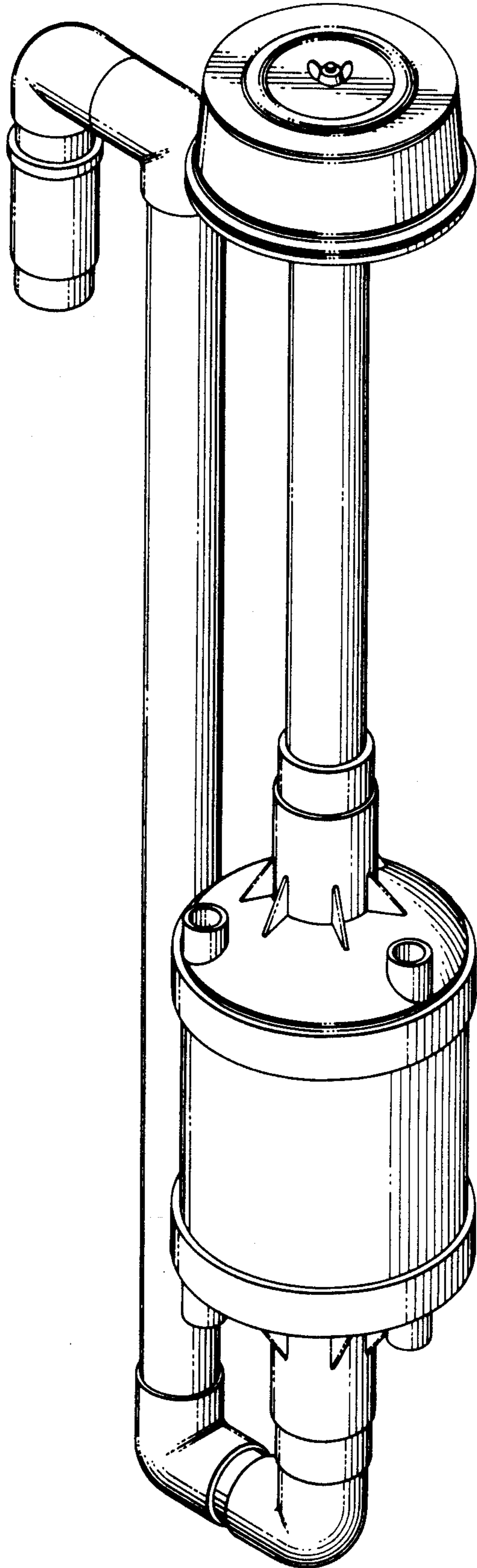


FIG. 6.