

[54] CIRCUIT BREAKER HOUSING

[75] Inventor: Jorge Sare, Trenton, N.J.

[73] Assignee: Heinemann Electric Company, Trenton, N.J.

[**] Term: 14 Years

[21] Appl. No.: 927,117

[22] Filed: Jul. 24, 1978

[51] Int. Cl. D13-03

[52] U.S. Cl. D13/34

[58] Field of Search D13/32, 34, 37; 200/5 R, 5 A, 5 D, 5 E, 5 F, 6 R, 6 A, 17 R, 153 G, 155 R, 159 R, 293, 299, 302, 303; 335/17, 18, 20, 21, 24, 35; 361/102, 115, 357, 353, 376, 354, 363

[56] References Cited

U.S. PATENT DOCUMENTS

D. 204,386 4/1966 Davis et al. D13/34
4,093,838 6/1978 Nicol 200/303

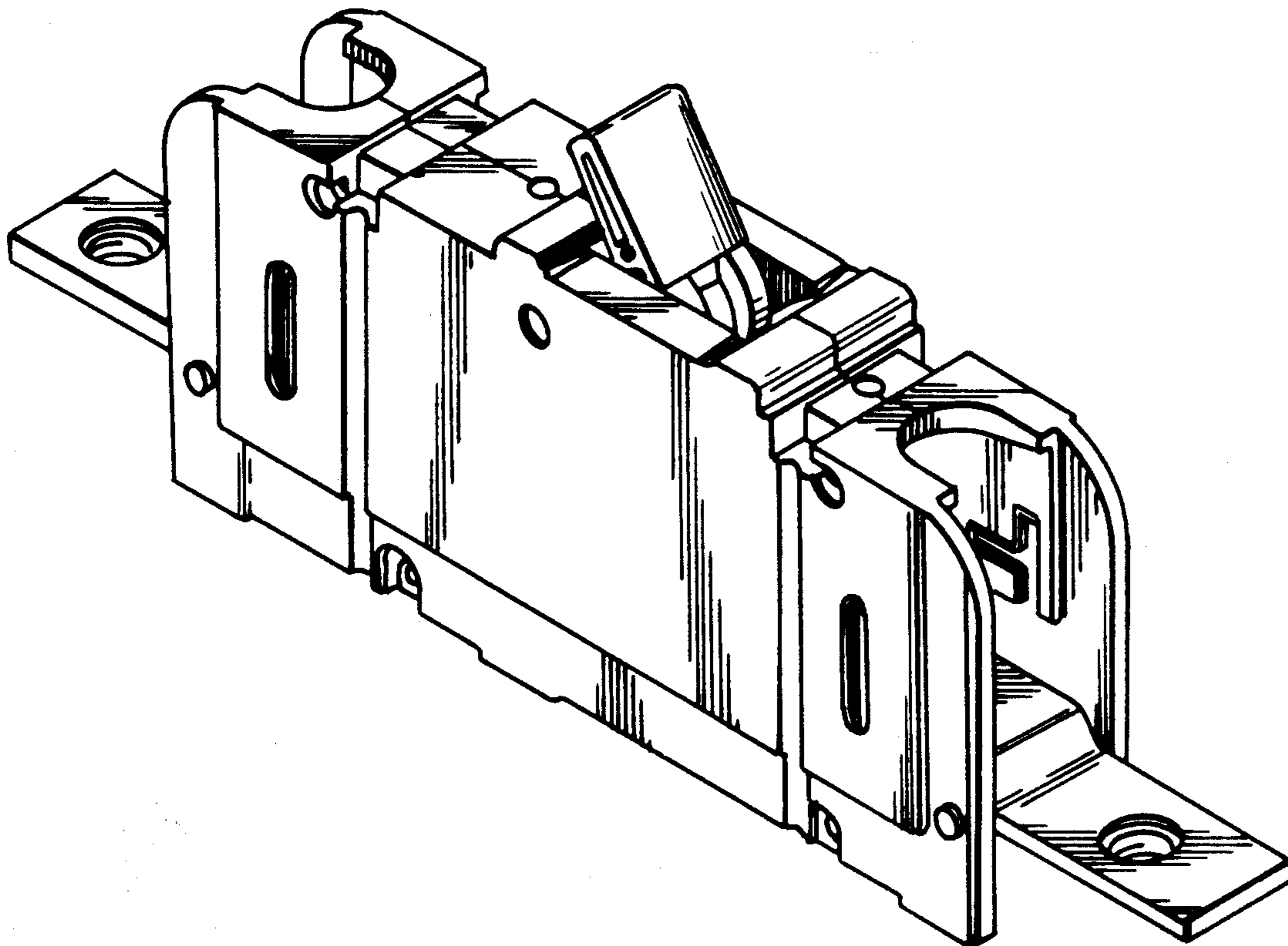
Primary Examiner—Susan J. Lucas
Attorney, Agent, or Firm—Joseph G. Denny, III; Peter J. Patane

[57] CLAIM

The ornamental design for a circuit breaker housing, as shown and described.

DESCRIPTION

FIG. 1 is a top and front perspective view of a circuit breaker housing showing my new design;
FIG. 2 is a bottom and rear perspective view thereof; and
FIG. 3 is a top and front perspective view of a second embodiment of my design.



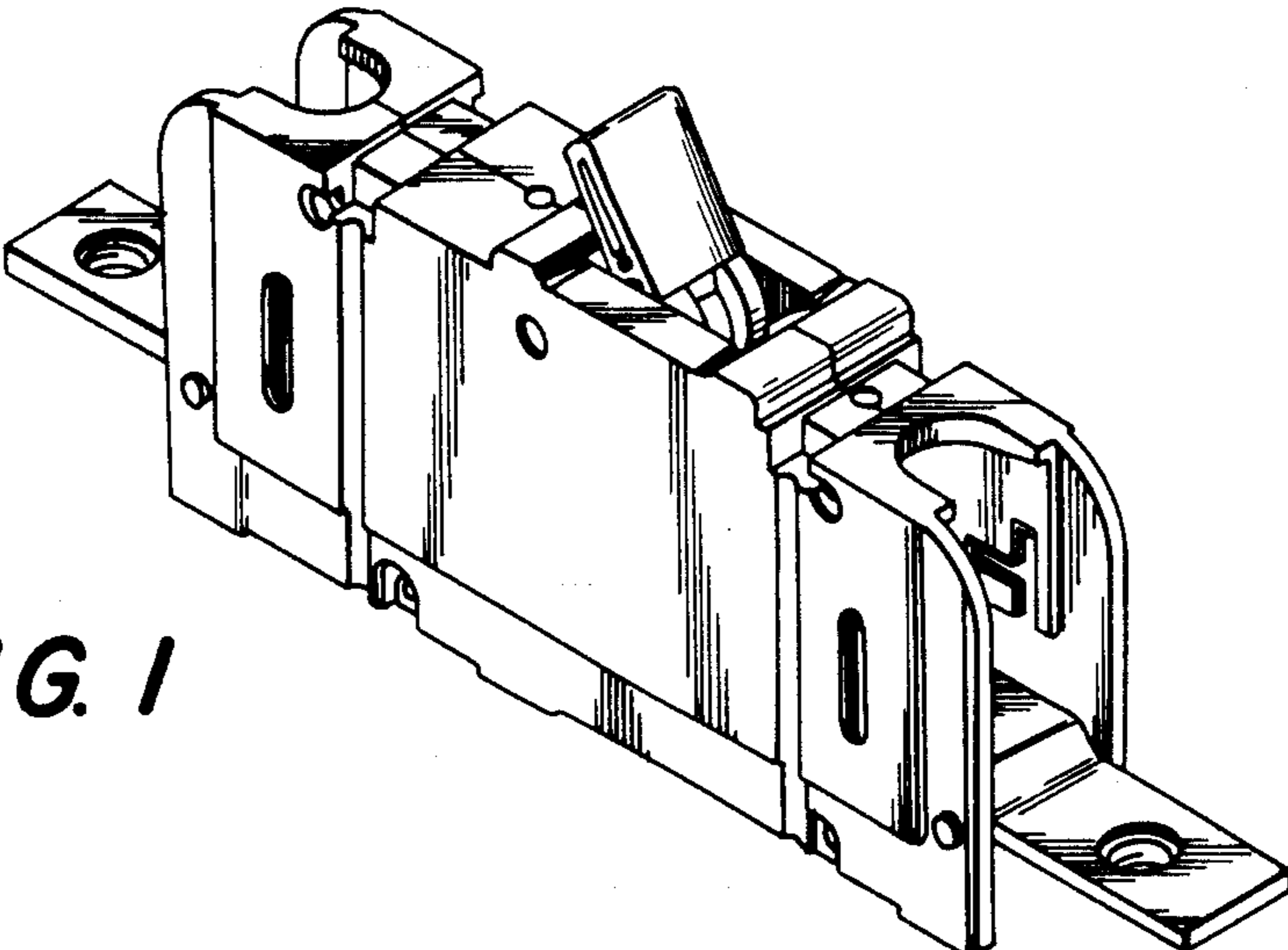


FIG. 1

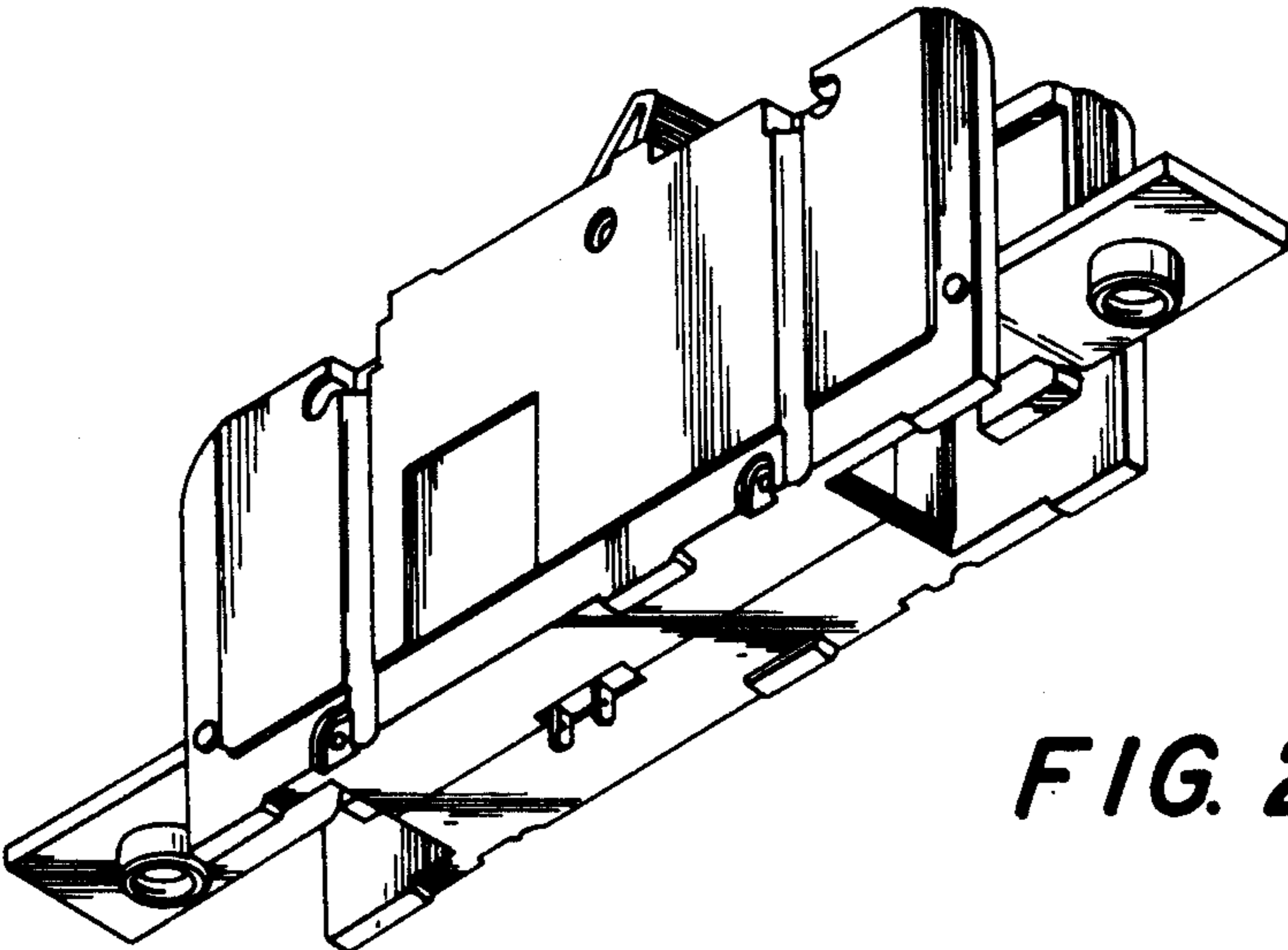


FIG. 2

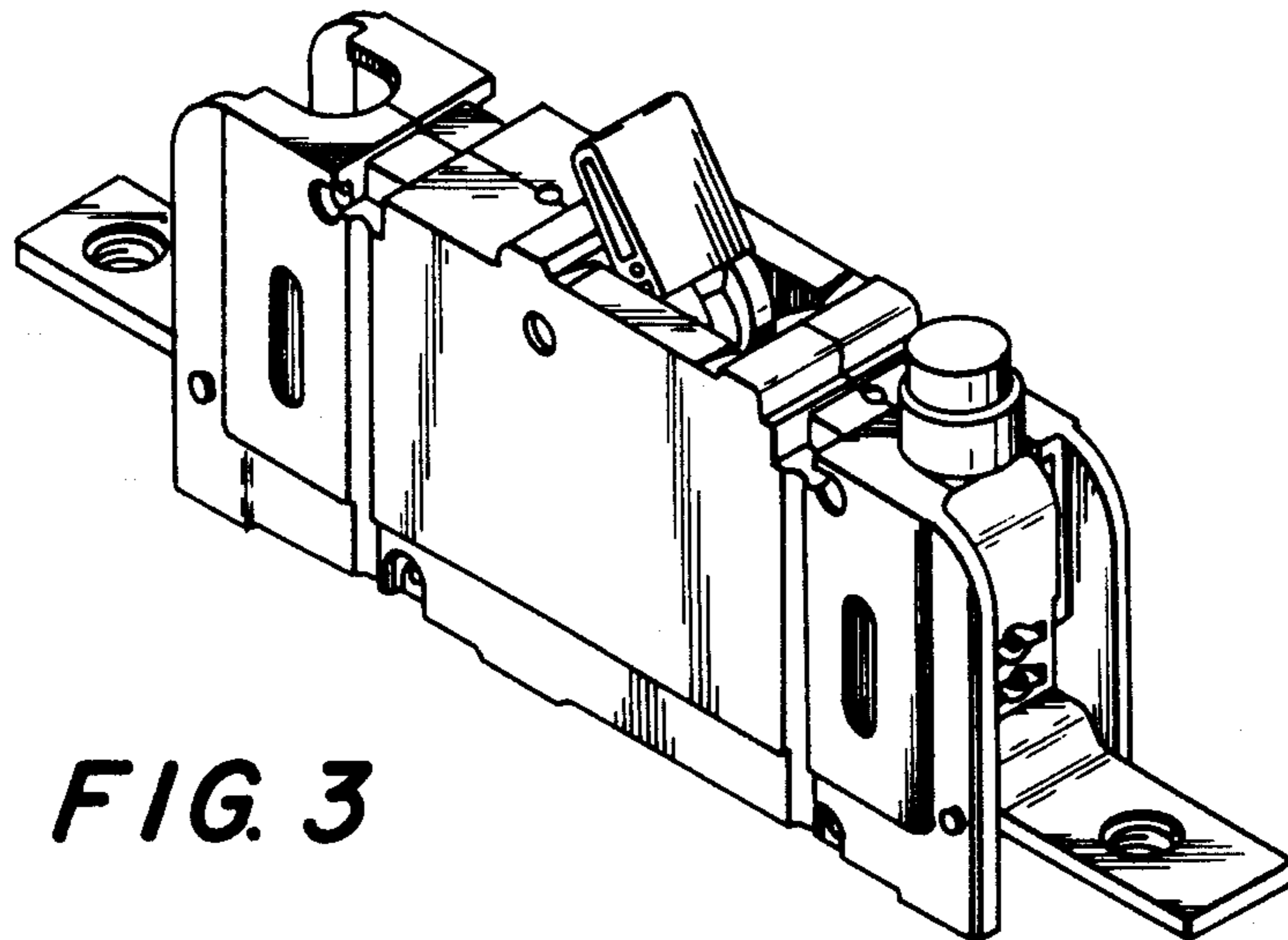


FIG. 3