

[54] BUD VASE

[75] Inventor: Alwin J. Stahel, II, New Brighton, Minn.

[73] Assignee: Ball Corporation, Muncie, Ind.

[**] Term: 14 Years

[21] Appl. No.: 930,541

[22] Filed: Aug. 2, 1978

[51] Int. Cl. D11-02

[52] U.S. Cl. D11/146

[58] Field of Search D11/143-149, D11/151-156, 164; 47/14, 16, 41 R, 41 SS, 33, 55, 59, 61, 66-69, 71, 72, 79, 81, 83, 85-87

[56] References Cited

PUBLICATIONS

Gifts and Decorative Accessories, 12/1977, p. 17, "Tranquility", Bud vase.

Gifts and Decorative Accessories, 1/1975, p. 49, Bud vase.

Primary Examiner—Wallace R. Burke
Assistant Examiner—B. J. Bullock
Attorney, Agent, or Firm—Cushman, Darby & Cushman

[57] CLAIM

The ornamental design for bud vase, substantially as shown.

DESCRIPTION

FIG. 1 is a front perspective view of a bud vase showing my new design;

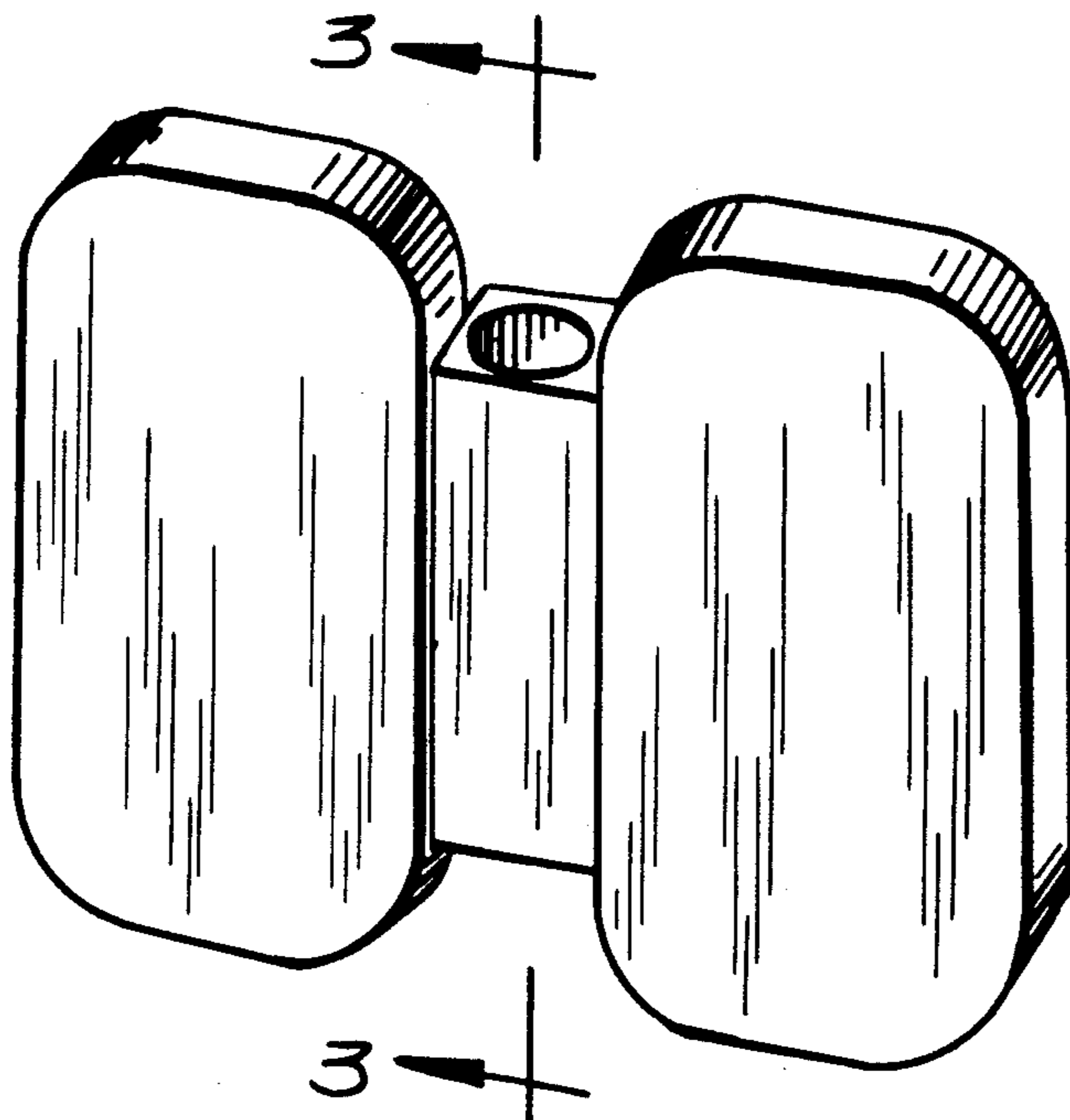
FIG. 2 is a side elevational view taken from the right of FIG. 1;

FIG. 3 is a sectional view taken in the direction of the arrows on line 3-3 of FIG. 1;

FIG. 4 is a top plan view thereof;

FIG. 5 is a front elevational view thereof; and

FIG. 6 is a rear elevational view thereof.



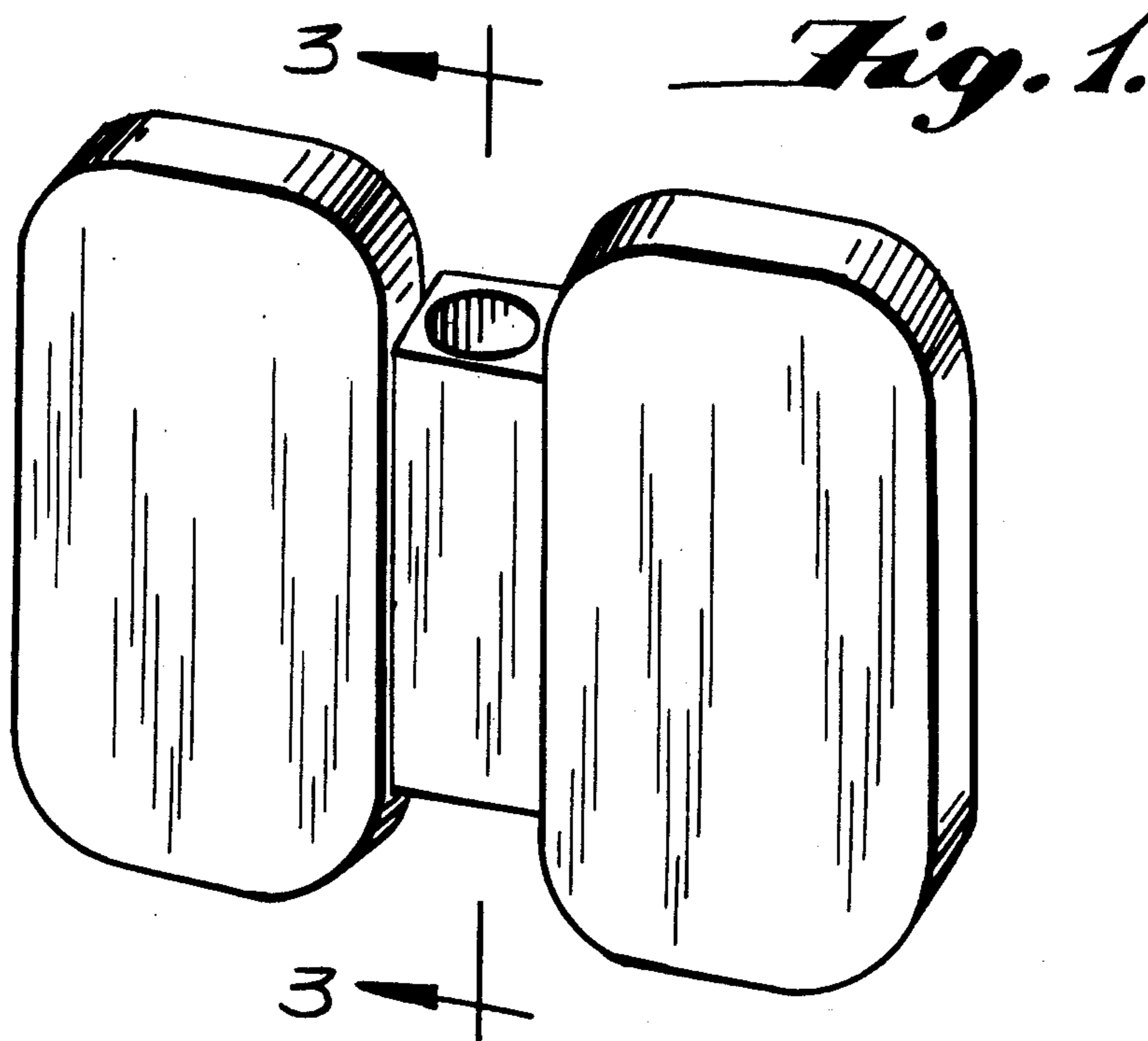


Fig. 2.

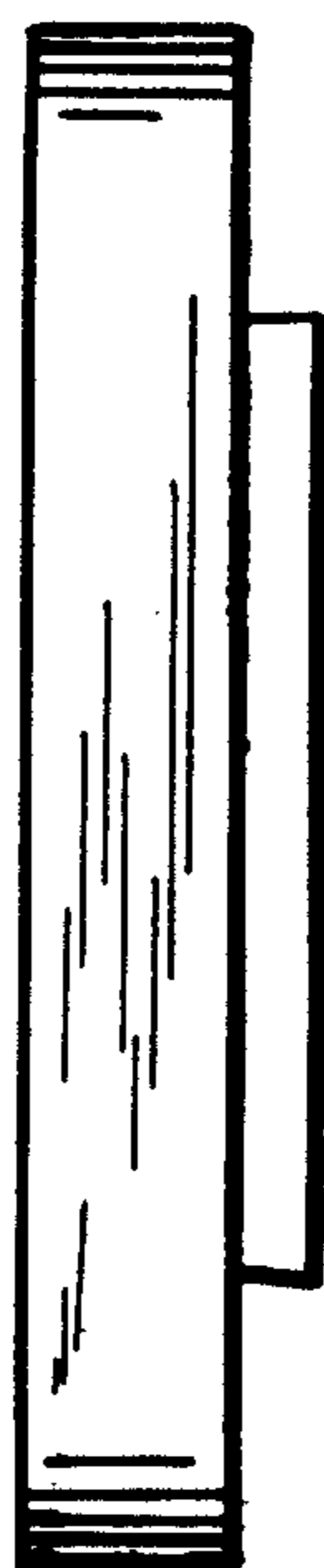


Fig. 3.



Fig. 4.

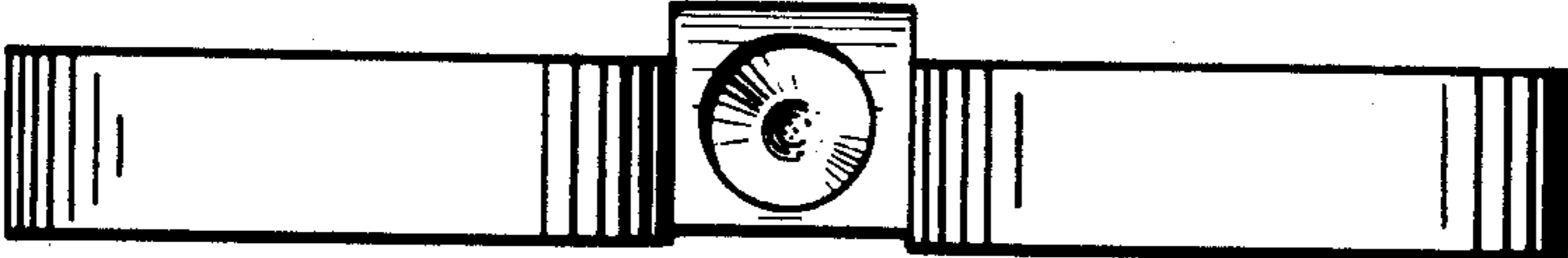


Fig. 5.

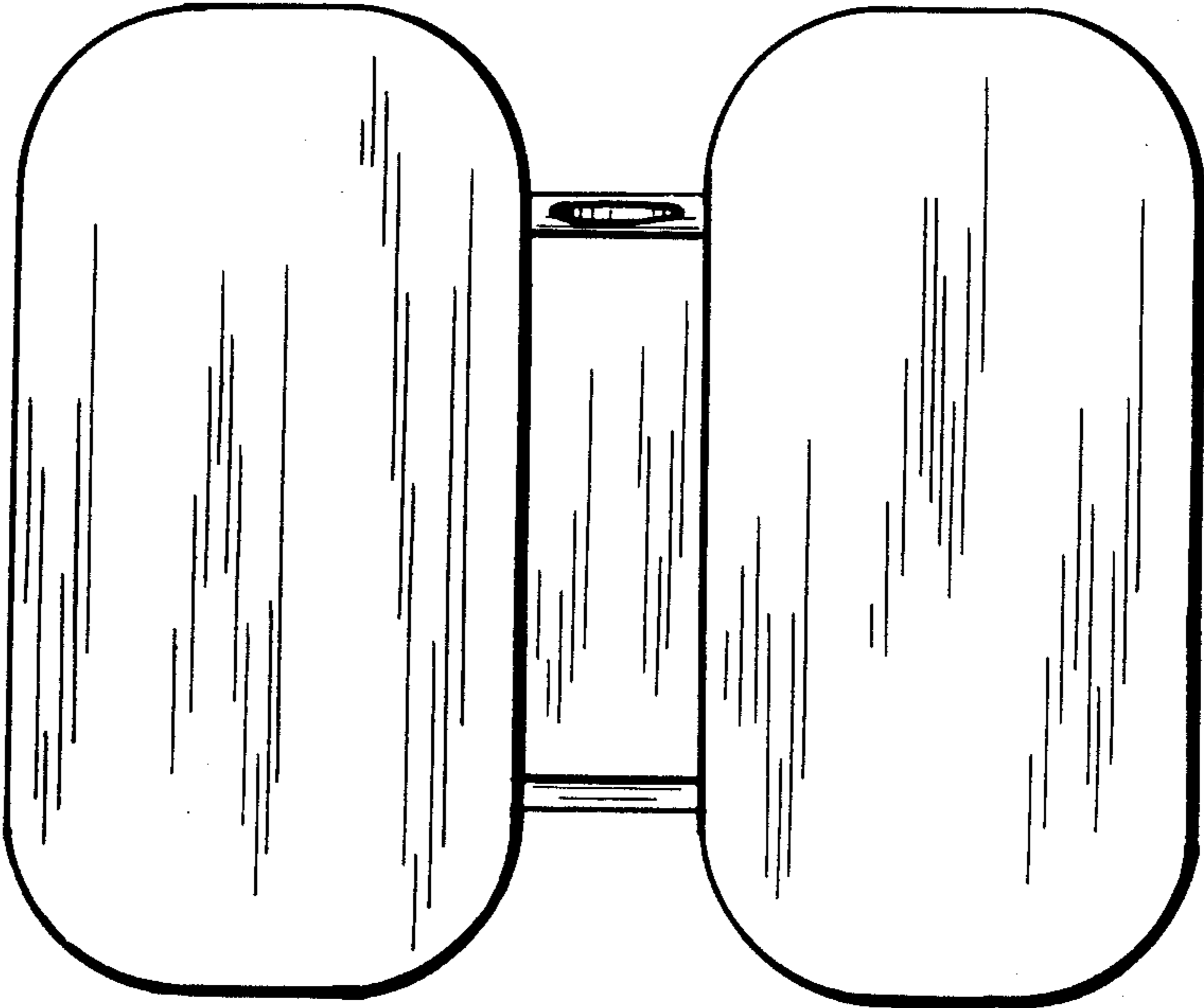


Fig. 6.

