

[54] SOLAR POWERED SAFETY BLINKER LIGHT

[76] Inventor: Clyde Wagner, 325 E. Stocker St., Glendale, Calif. 91207

[**] Term: 14 Years

[21] Appl. No.: 904,631

[22] Filed: May 10, 1978

[51] Int. Cl. D10-06; D26-02

[52] U.S. Cl. D10/114; D26/35

[58] Field of Search D48/32 R, 24 R; D10/114; 362/61, 62, 362, 311, 282, 157, 183, 192, 194, 195; 340/50, 74, 81 R, 84, 87, 92, 321; 320/2, 3

[56] References Cited

U.S. PATENT DOCUMENTS

3,500,378	3/1970	Pickering et al.	D10/114 X
3,697,738	10/1972	Decker et al.	362/157 X
4,122,396	10/1978	Grazier et al.	320/2

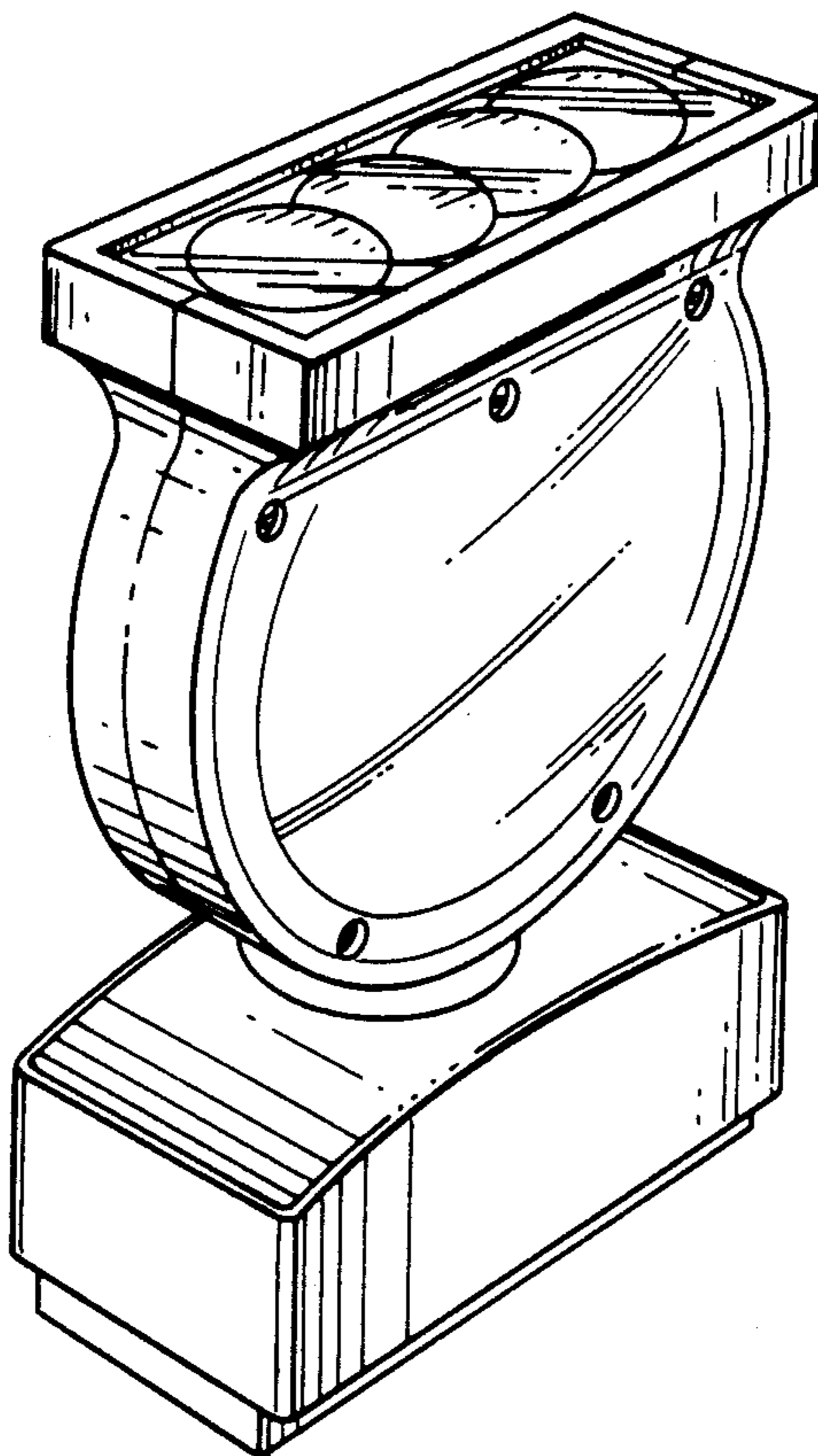
Primary Examiner—Susan J. Lucas
Attorney, Agent, or Firm—Ralph B. Pastoriza

[57] CLAIM

The ornamental design for a solar powered safety blinker light, substantially as shown.

DESCRIPTION

FIG. 1 is a perspective view of a solar powered safety blinker light showing my new design; FIG. 2 is a front elevational view thereof; FIG. 3 is a side elevational view thereof; FIG. 4 is a rear elevational view thereof; FIG. 5 is a bottom plan view thereof; and, FIG. 6 is a top plan view thereof.



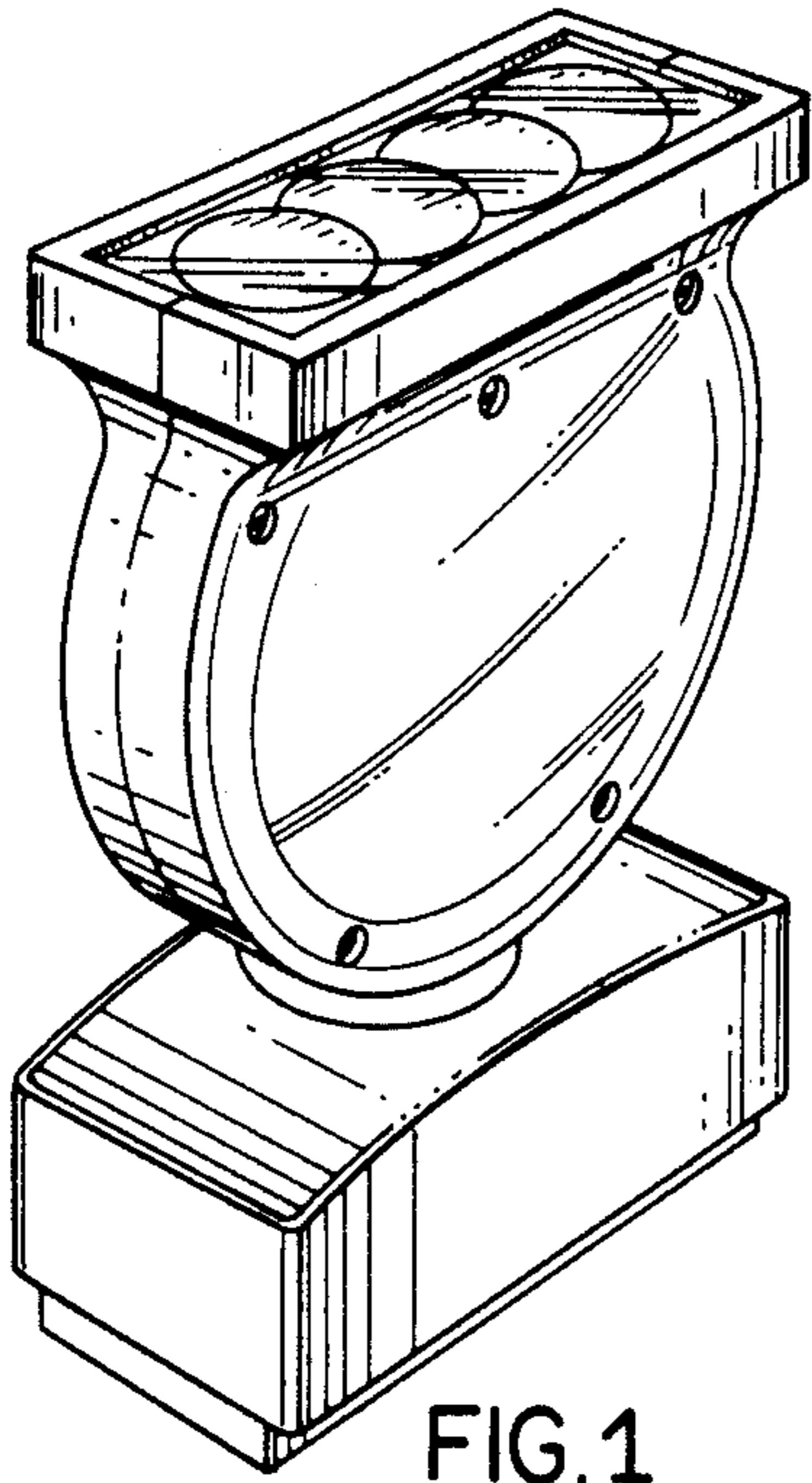


FIG. 1

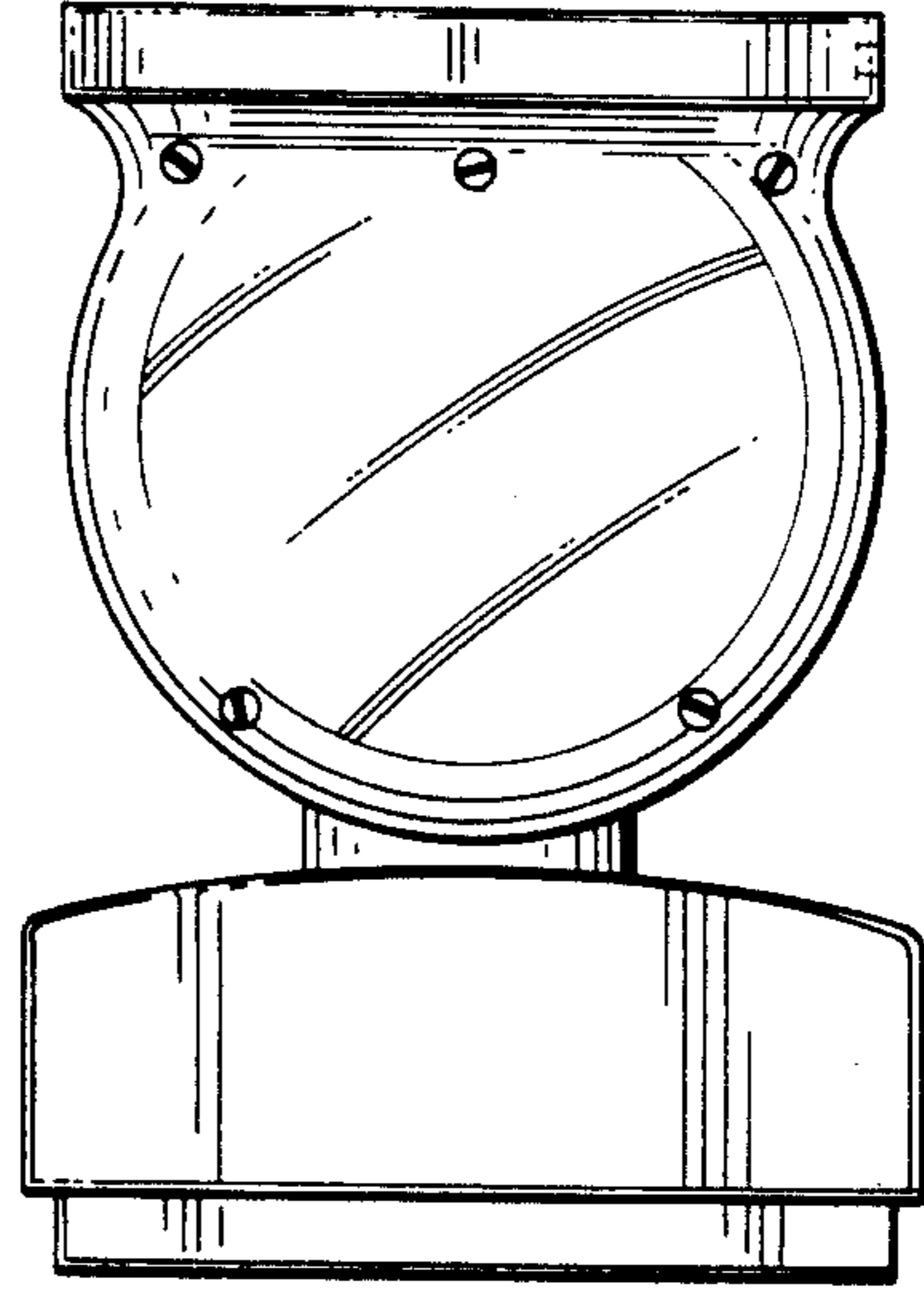


FIG. 2

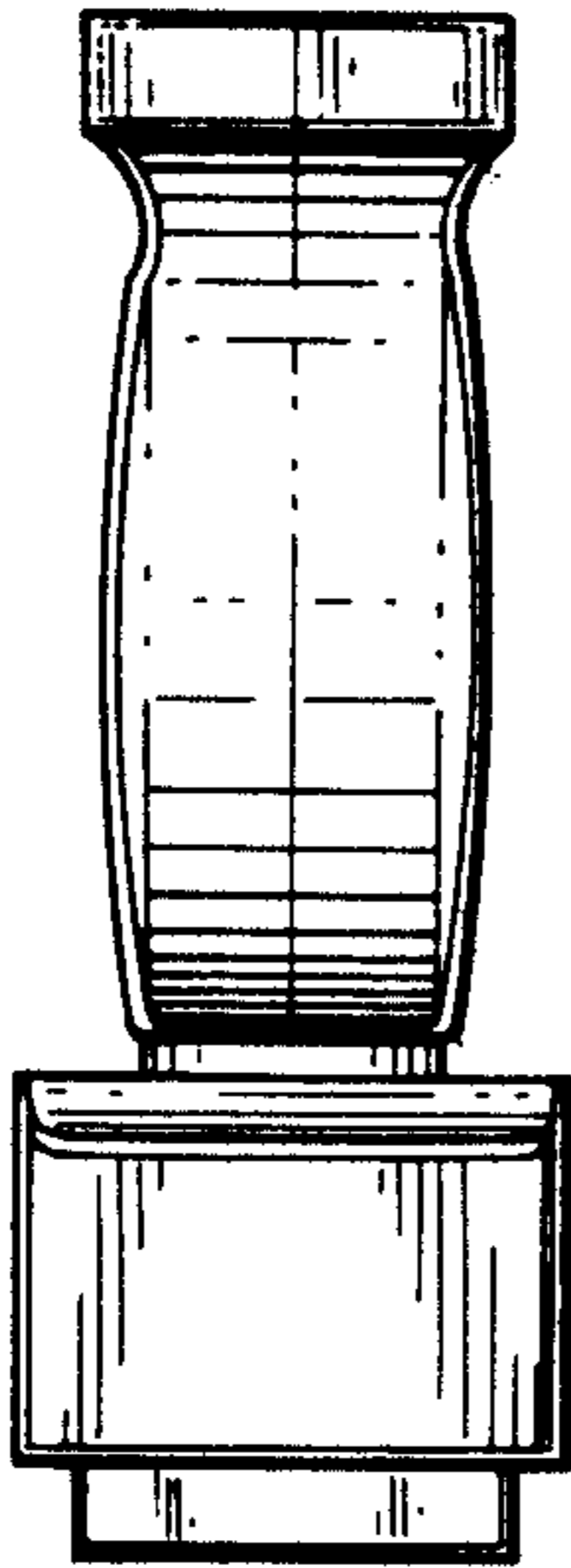


FIG. 3

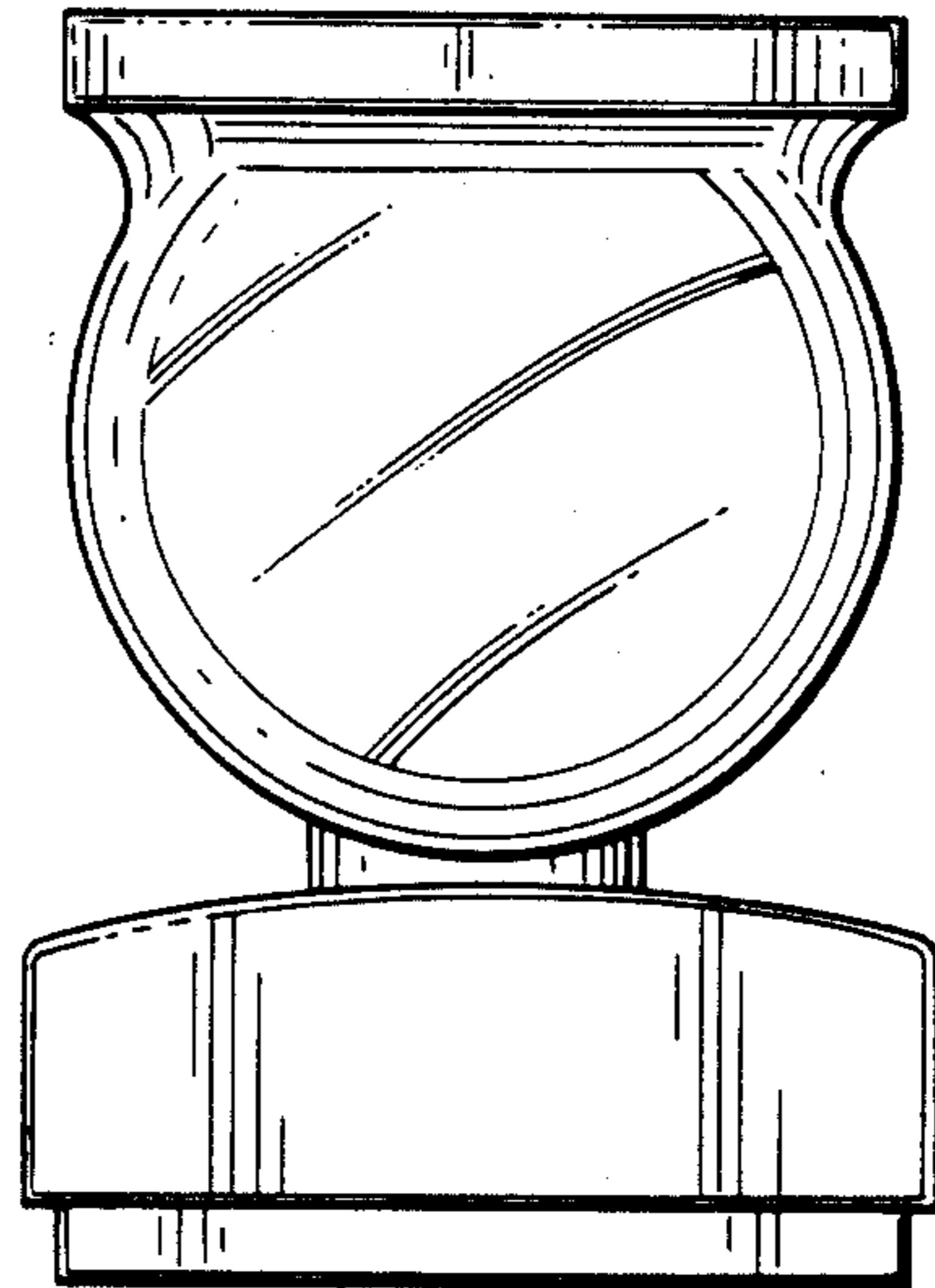


FIG. 4

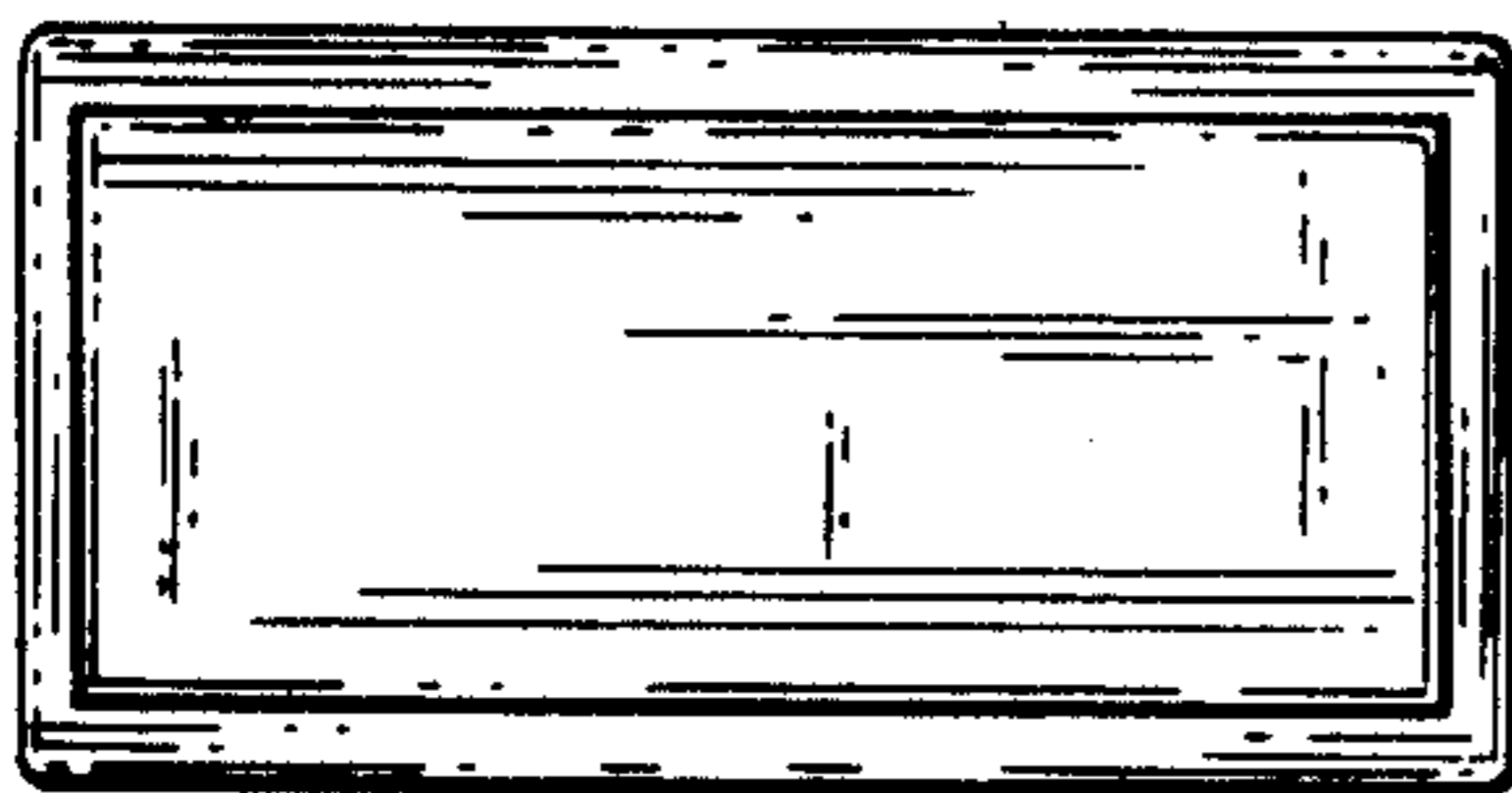


FIG. 5

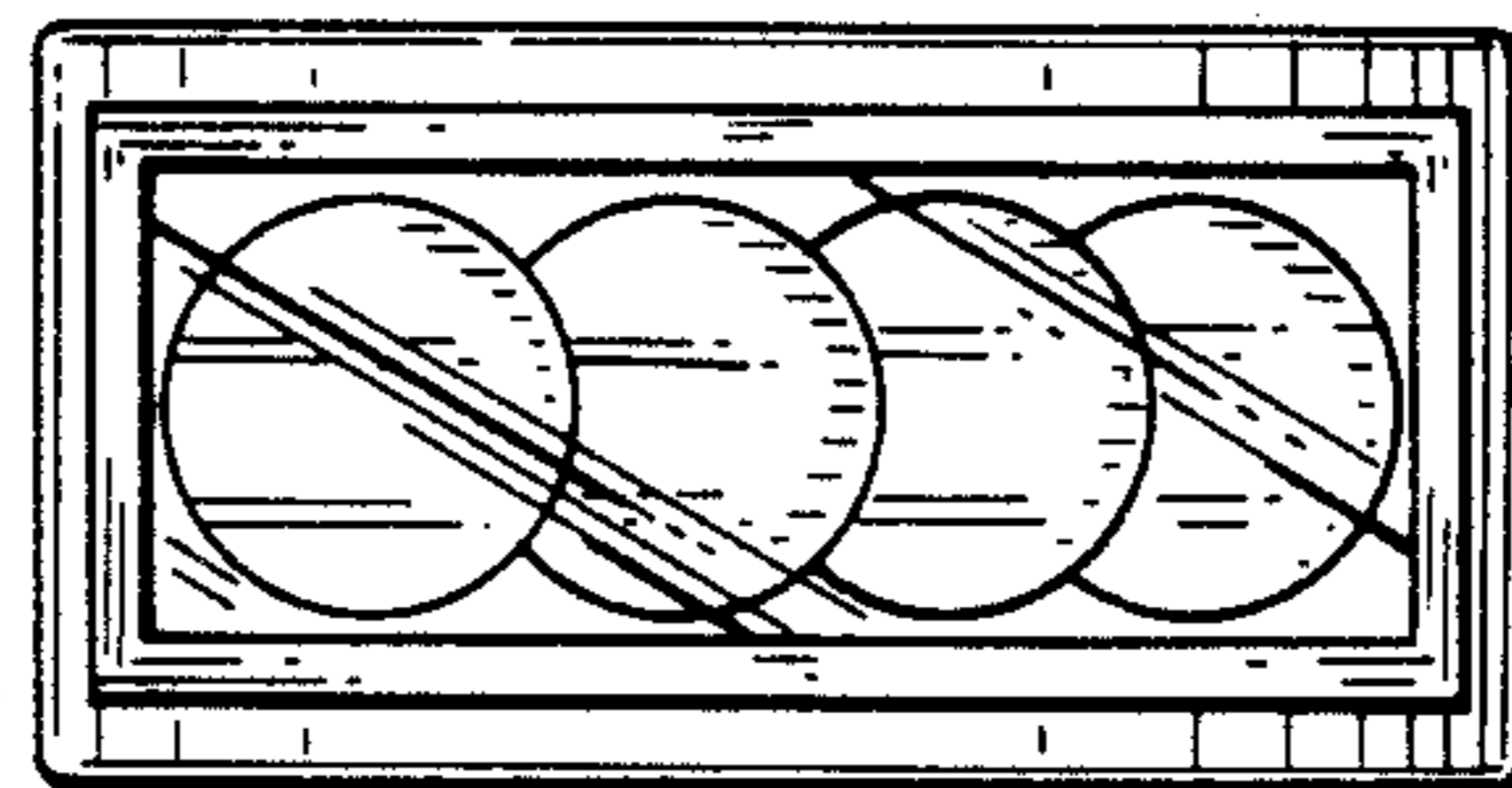


FIG. 6