

[54] DIGITAL COUNTER READOUT

4,082,039 4/1978 Schutt 101/132.5 X

[76] Inventor: Roy V. Maitland, 25211 Monte Verde, Laguna Niguel, Calif. 92677

OTHER PUBLICATIONS

IBM Technical Disclosure Bulletin, vol. 21, #6, 11/78, p. 2230, Document Stack Feeder System Count Display.

[**] Term: 14 Years

Primary Examiner—Nelson C. Holtje

[21] Appl. No.: 852,296

Attorney, Agent, or Firm—Harvey C. Nienow

[22] Filed: Nov. 17, 1977

[57] CLAIM

[51] Int. Cl. D10-07

The ornamental design for a digital counter readout, as shown and described.

[52] U.S. Cl. D10/97; D18/15

[58] Field of Search D18/15, 22; D10/97, D10/98; 235/1 D; 400/710; 101/132.5; 116/115

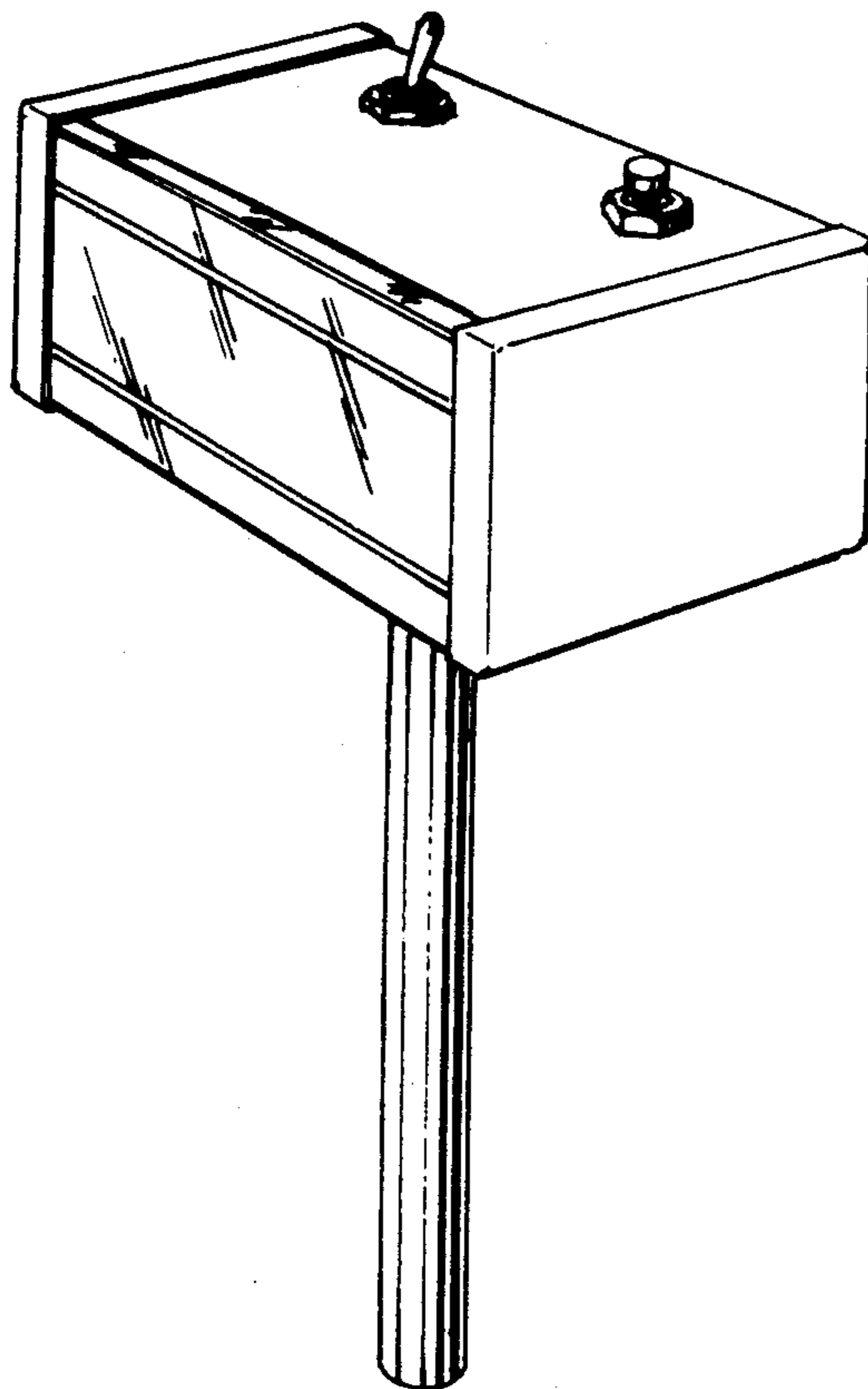
DESCRIPTION

[56] References Cited

U.S. PATENT DOCUMENTS

D. 242,285	11/1976	Maitland	D18/15
D. 251,484	4/1970	Howard	D10/75
3,510,766	5/1970	Russell	324/149

FIG. 1 is a top and right front perspective view of a digital counter readout showing my new design; FIG. 2 is a top plan view thereof; FIG. 3 is a left side elevational view thereof; FIG. 4 is a front elevational view thereof; FIG. 5 is a right side elevational view thereof; FIG. 6 is a rear elevational view thereof; FIG. 7 is a bottom plan view thereof.



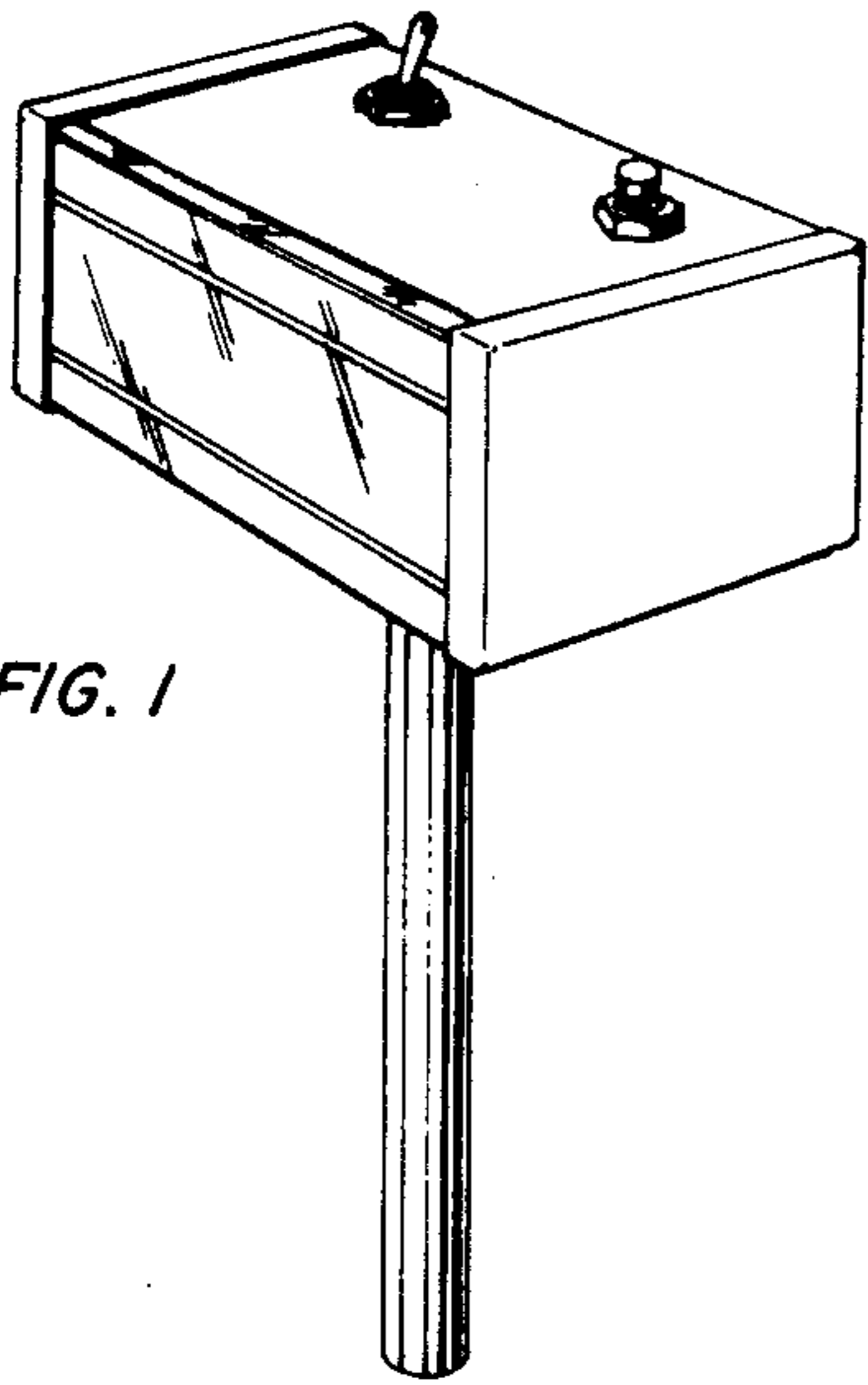


FIG. 1

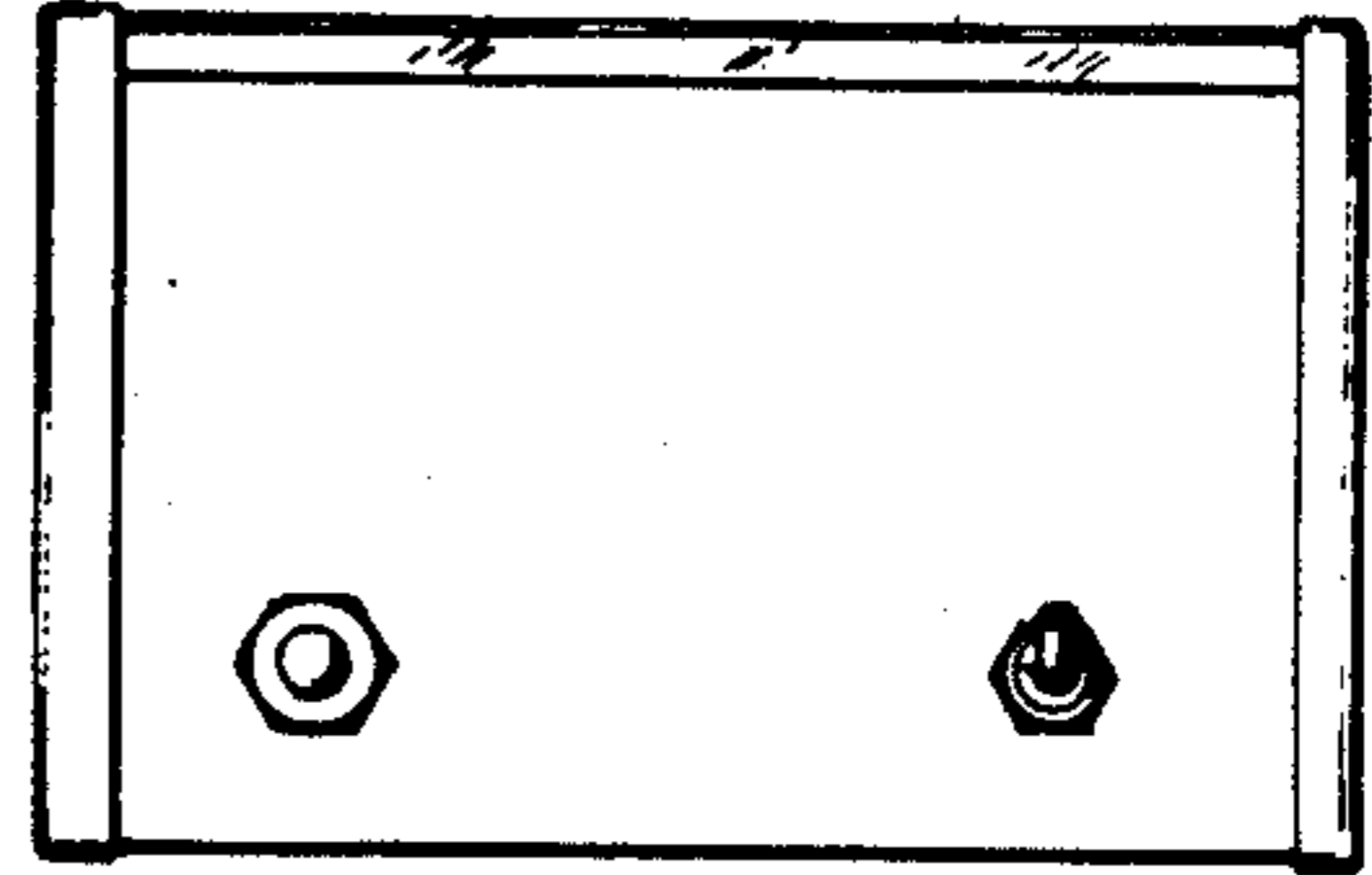


FIG. 2

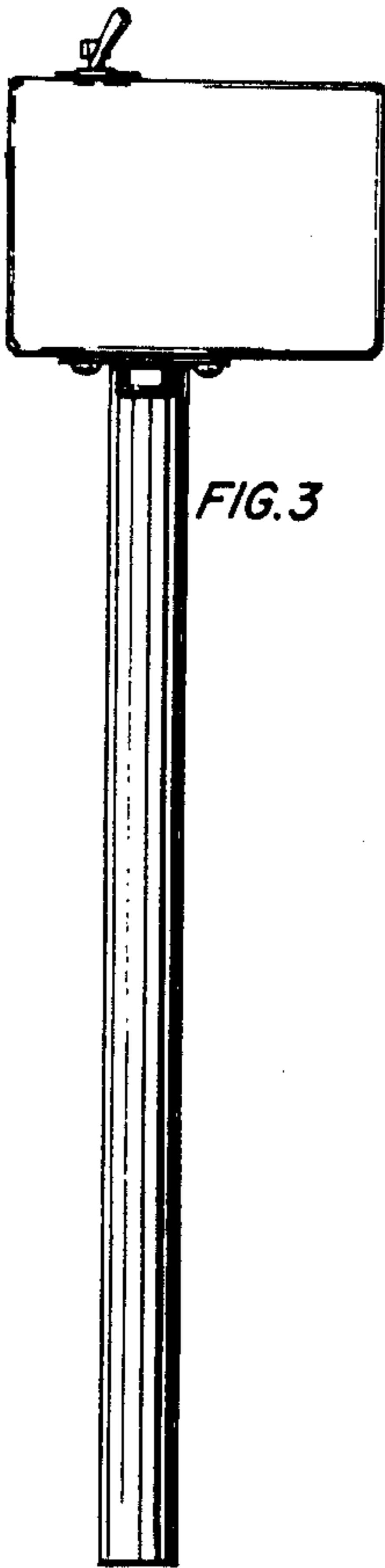


FIG. 3

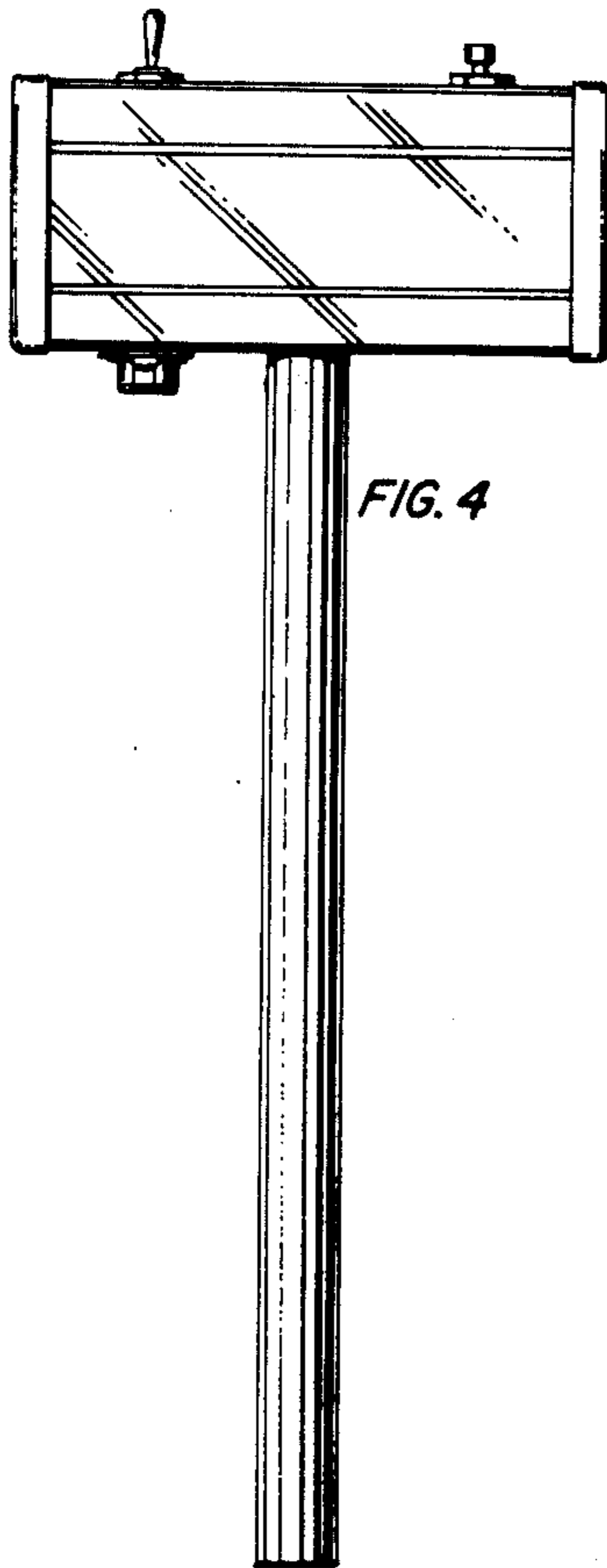


FIG. 4

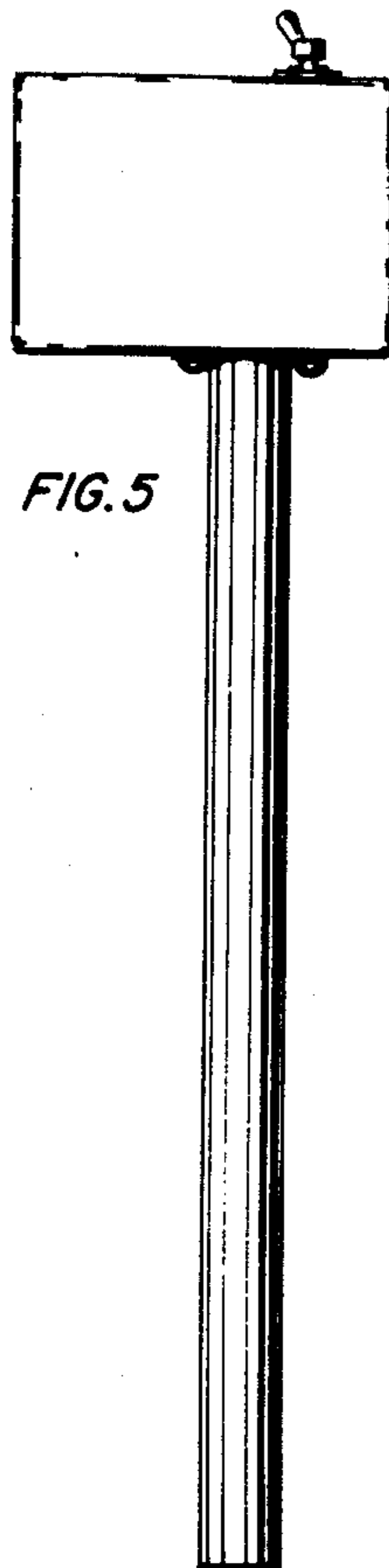


FIG. 5

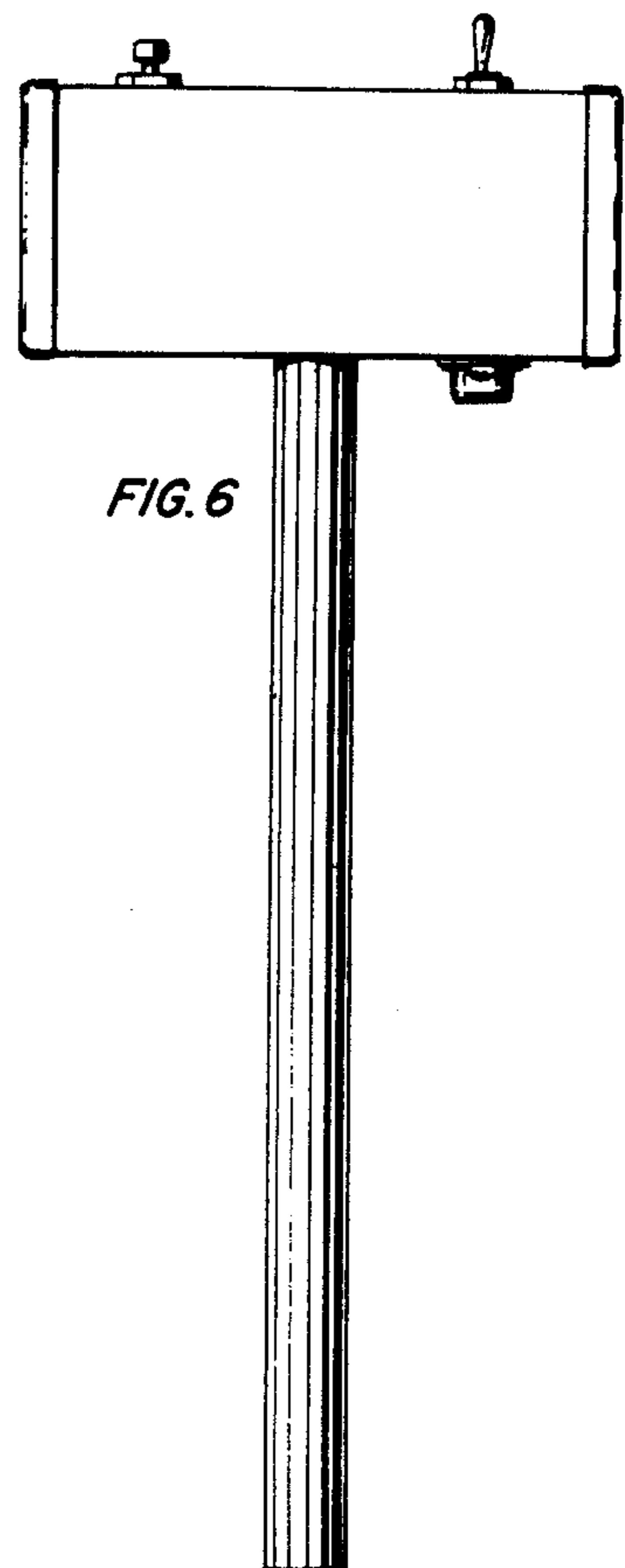


FIG. 6

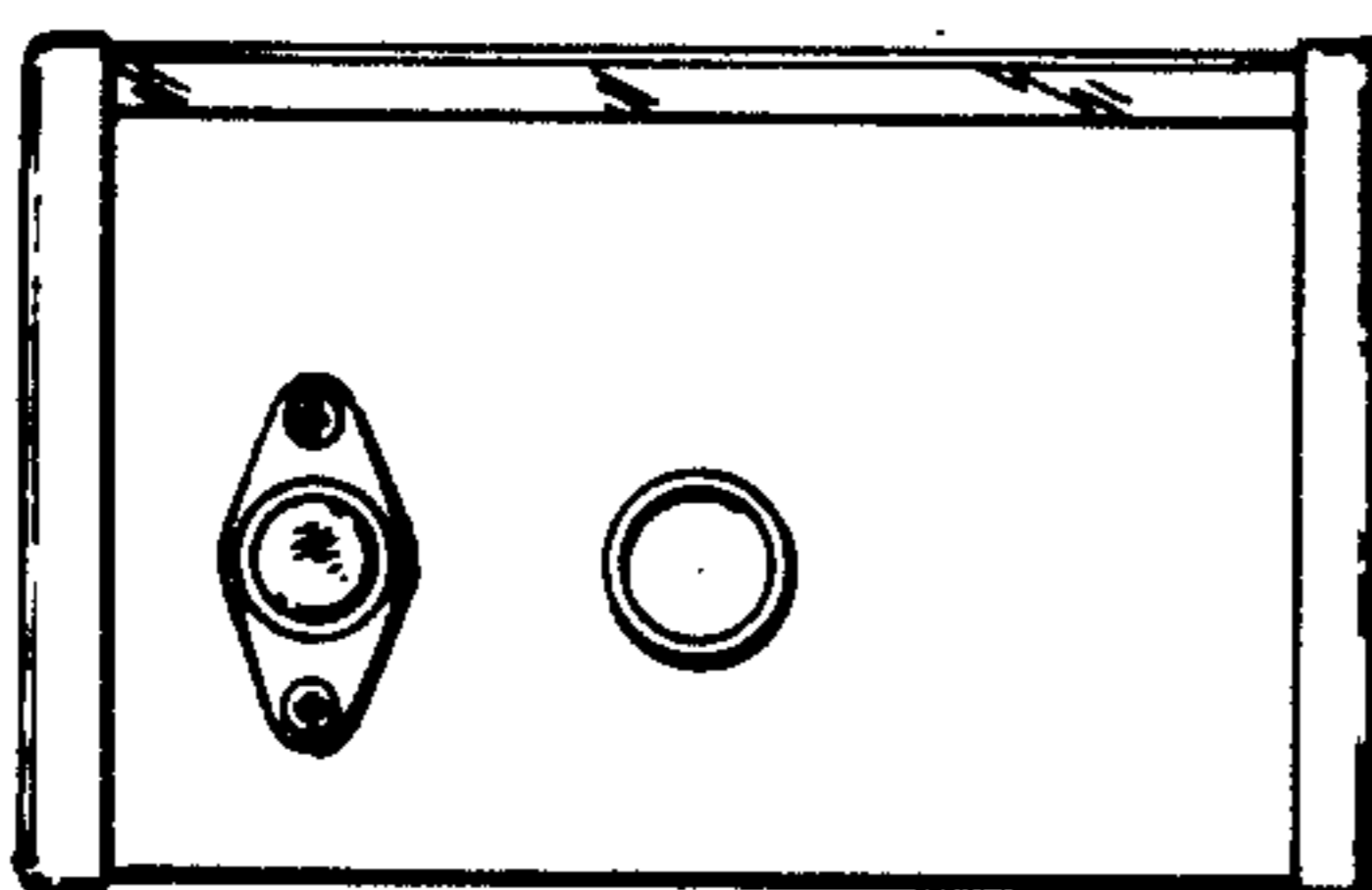


FIG. 7