

[54] DETACHABLE SERVING TRAY

2,709,563 5/1955 Starkey 108/97 X
3,498,471 3/1970 Dirkx D7/37 X

[76] Inventor: Angelo A. Rosselli, 1743 Yosemite Dr., Milpitas, Calif. 95035

Primary Examiner—Winifred E. Herrmann
Attorney, Agent, or Firm—John J. Leavitt

[**] Term: 14 Years

[57] CLAIM

[21] Appl. No.: 829,607

The ornamental design for a detachable serving tray, as shown and described.

[22] Filed: Sep. 1, 1977

DESCRIPTION

[51] Int. Cl. D7-99

FIG. 1 is a top rear perspective view of a detachable serving tray showing my new design;

[52] U.S. Cl. D7/37; D7/19

FIG. 2 is a front elevational view thereof;

[58] Field of Search 108/27, 98, 97; 297/194; 211/88, 126; D7/71, 70, 37, 38, 19

FIG. 3 is a top plan view thereof;

FIG. 4 is a right side elevational view thereof;

FIG. 5 is a rear elevational view thereof;

FIG. 6 is a bottom plan view thereof;

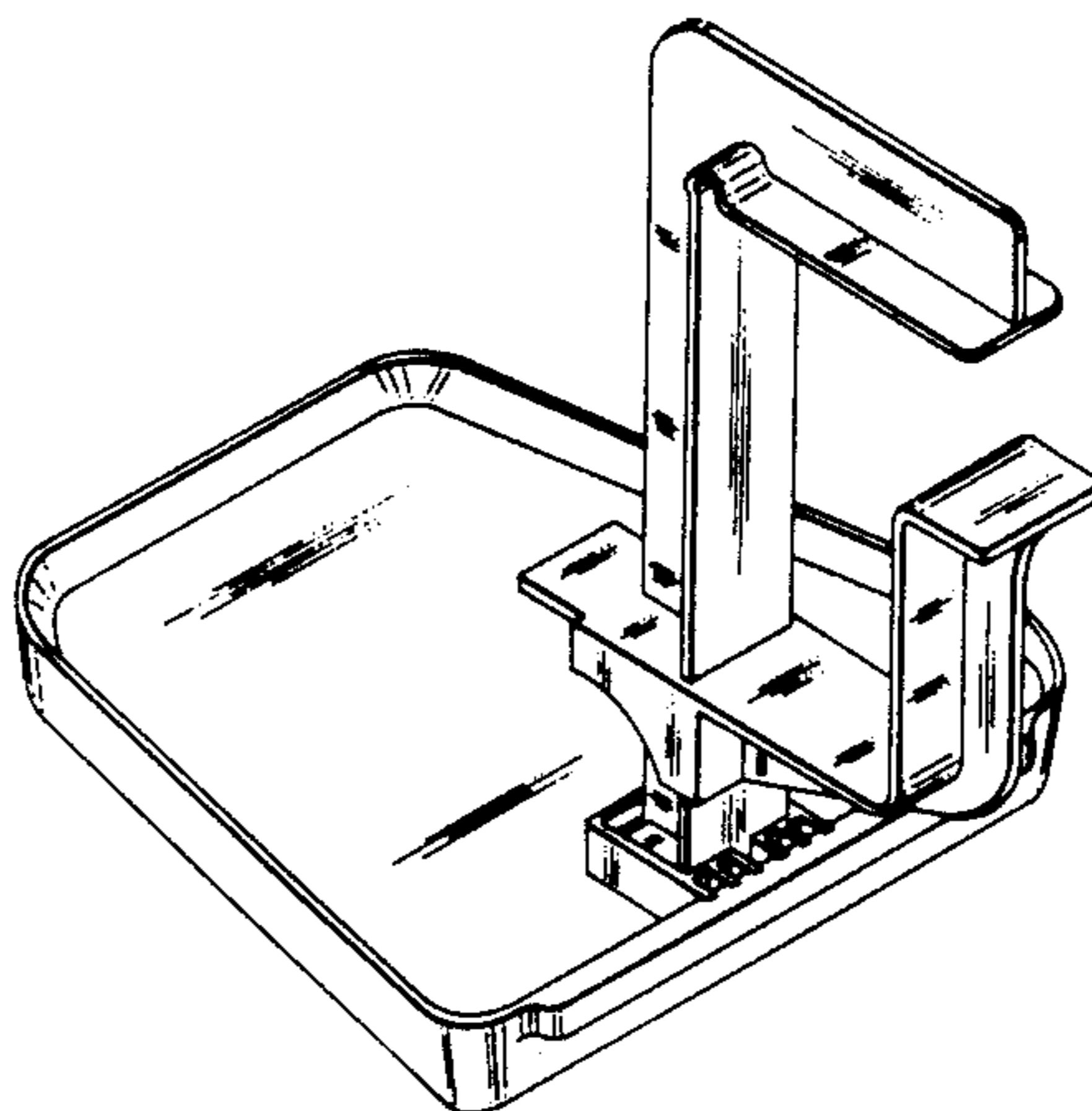
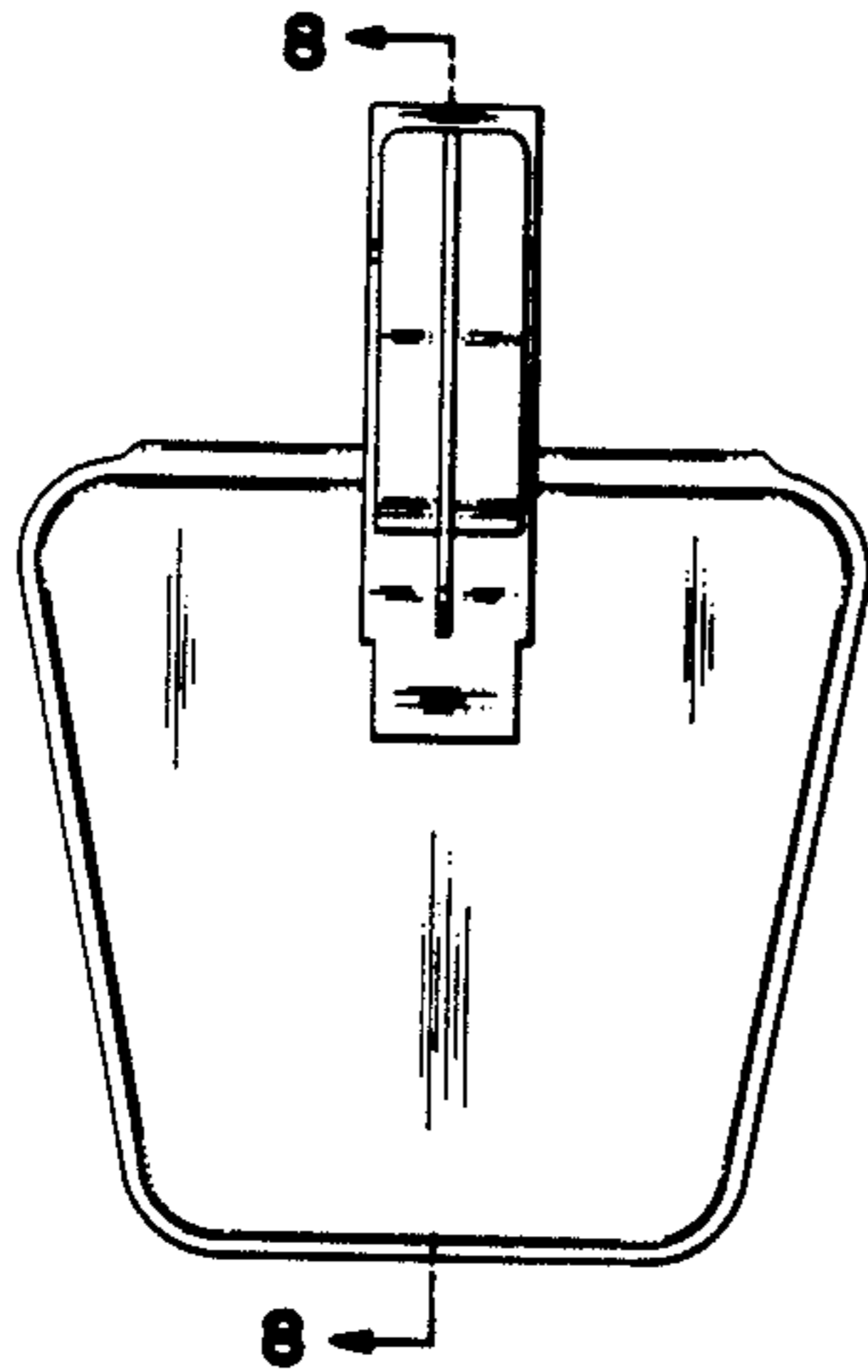
FIG. 7 is a left side elevational view thereof; and

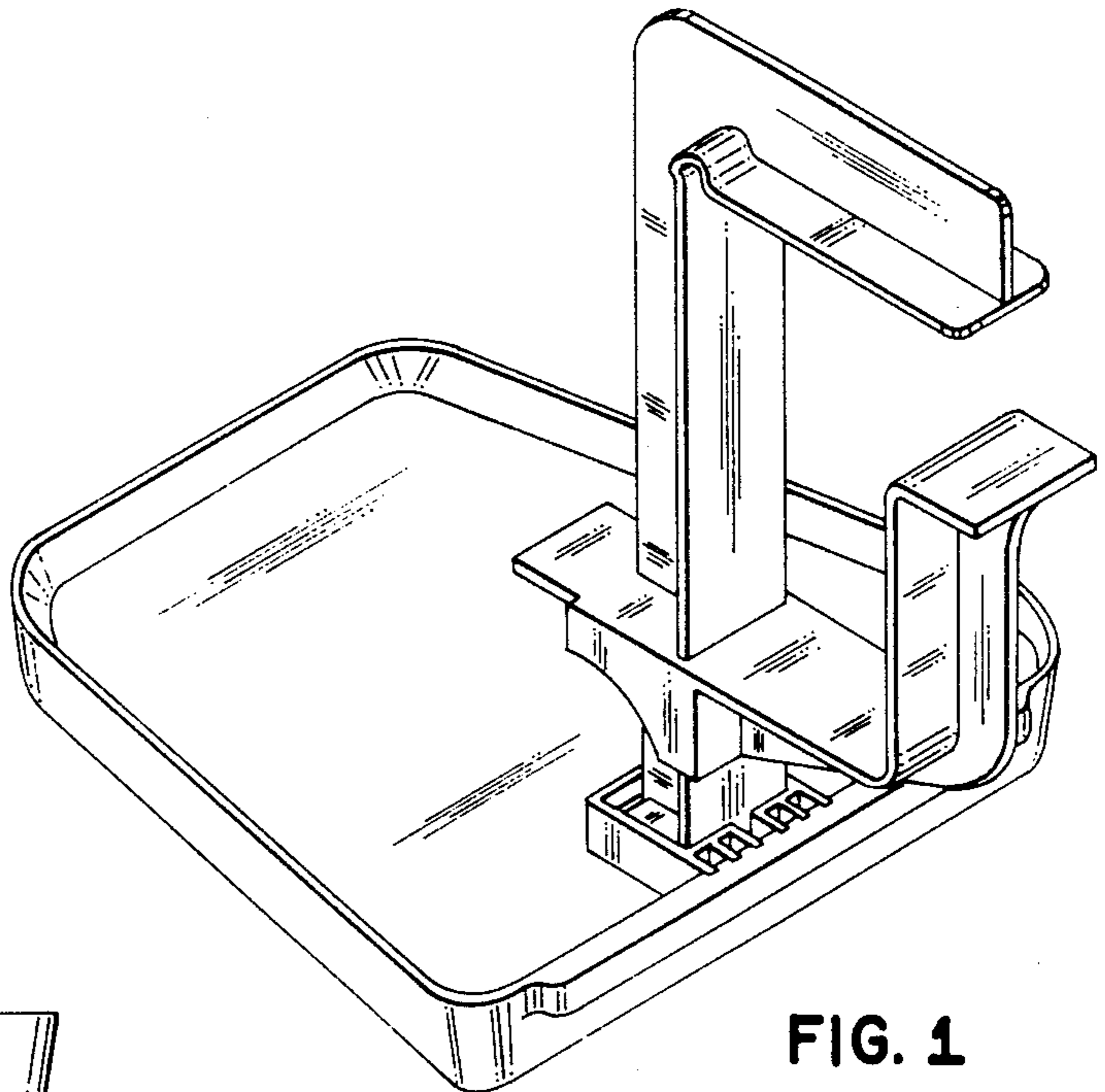
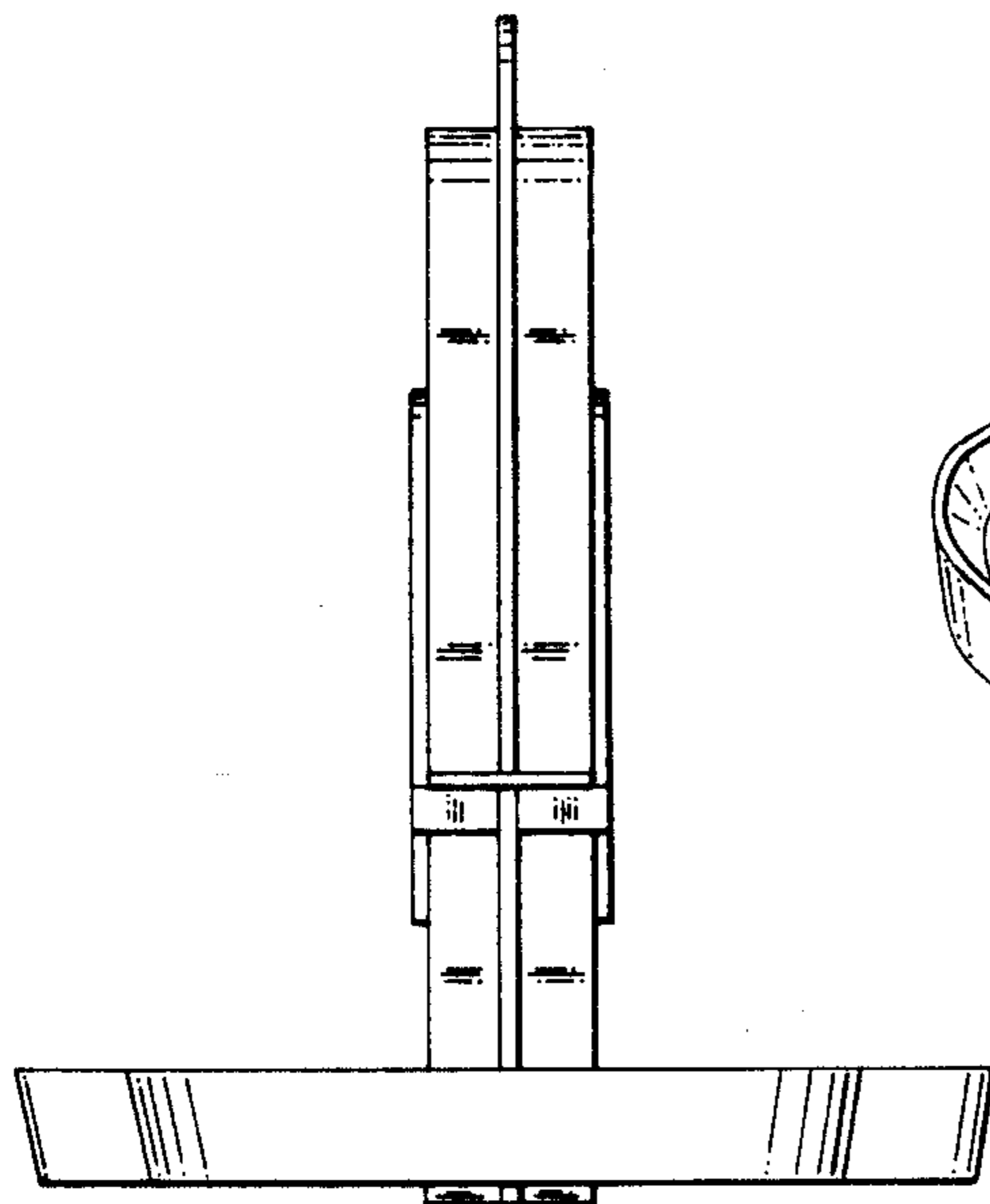
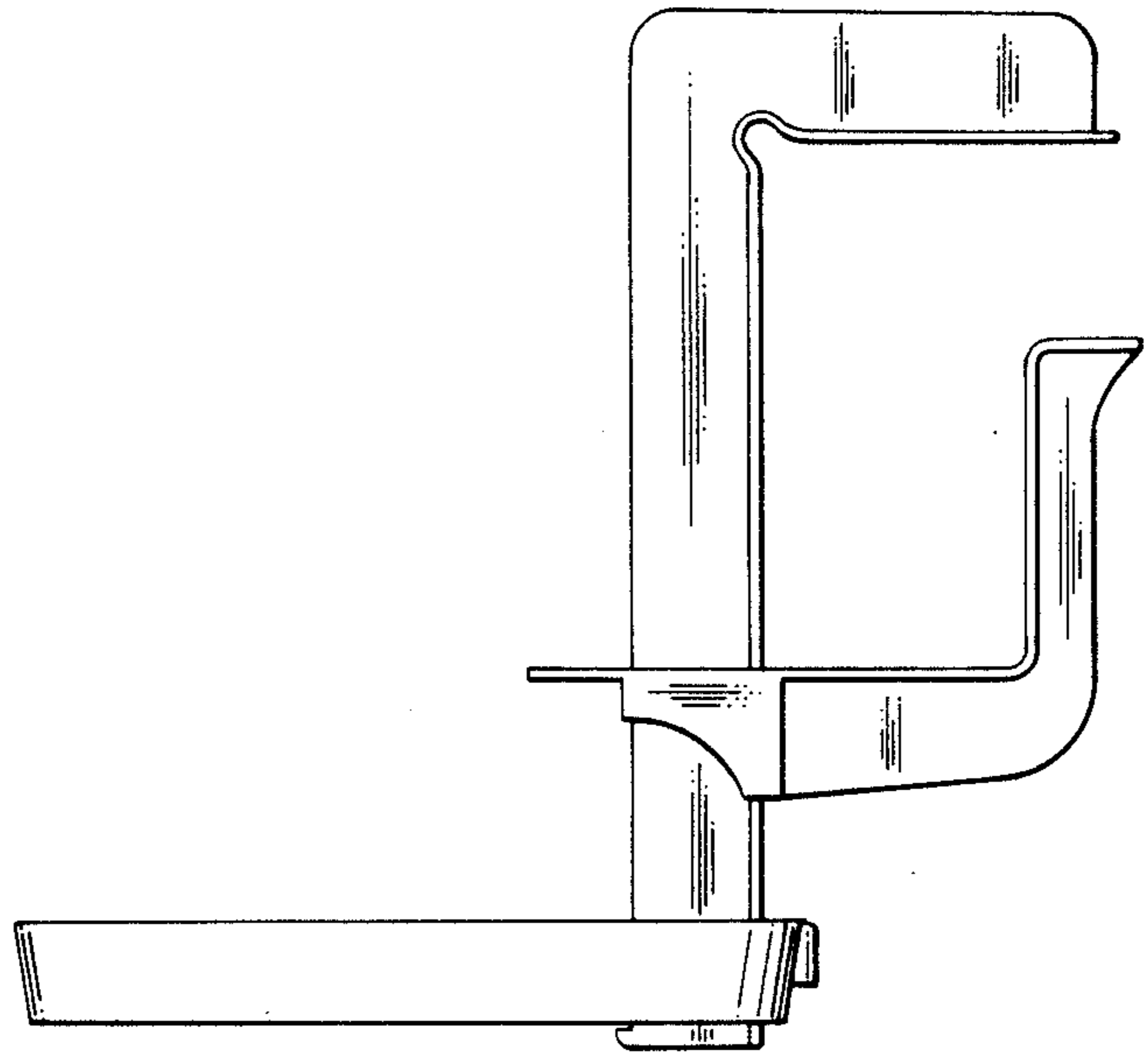
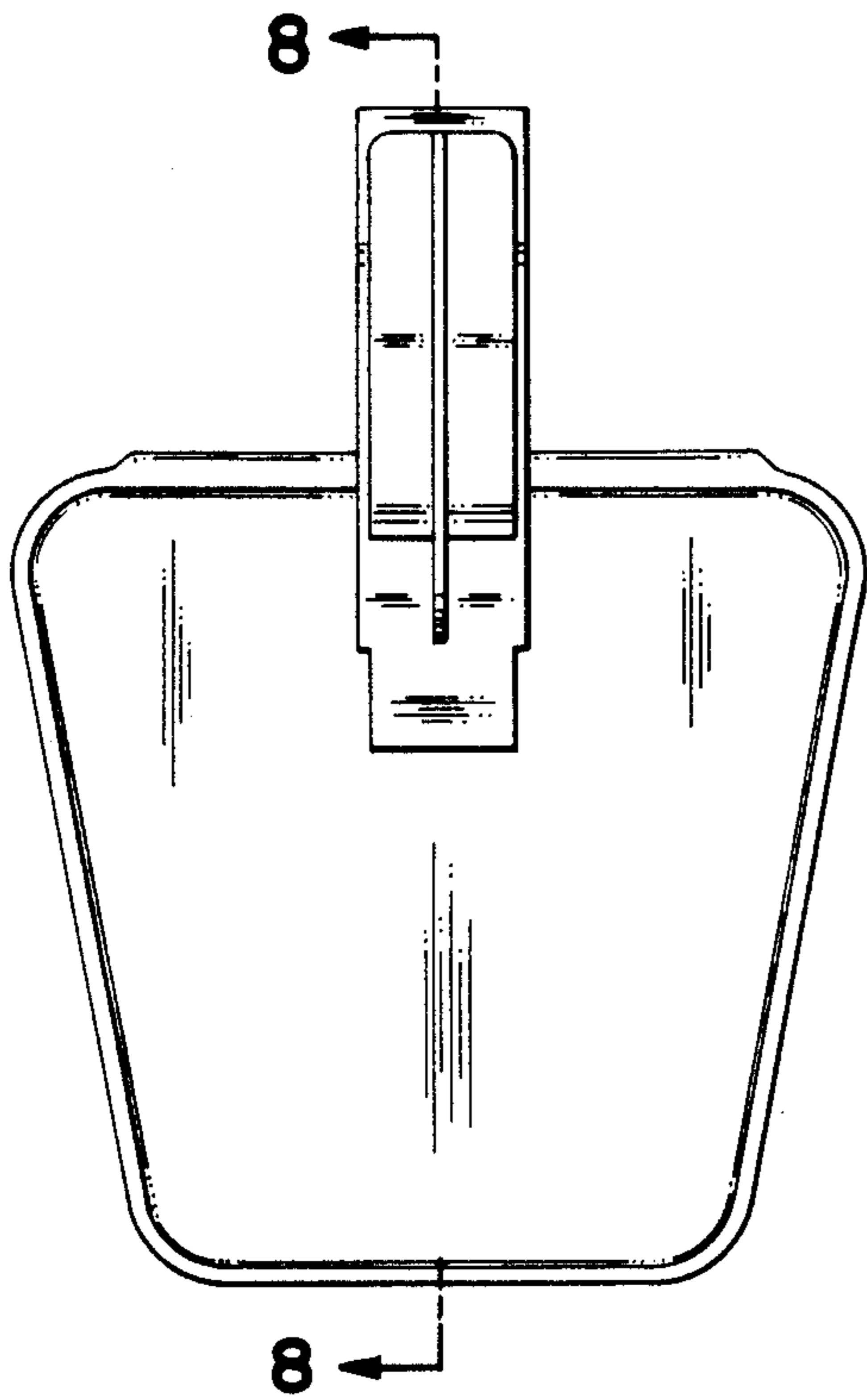
FIG. 8 is a cross-sectional view thereof taken in the plane indicated by the line 8-8 in FIG. 3.

[56] References Cited

U.S. PATENT DOCUMENTS

D. 91,229	12/1933	Pyle	D7/19
D. 187,077	1/1960	Labe	D7/71
1,108,692	8/1914	Burd	108/97





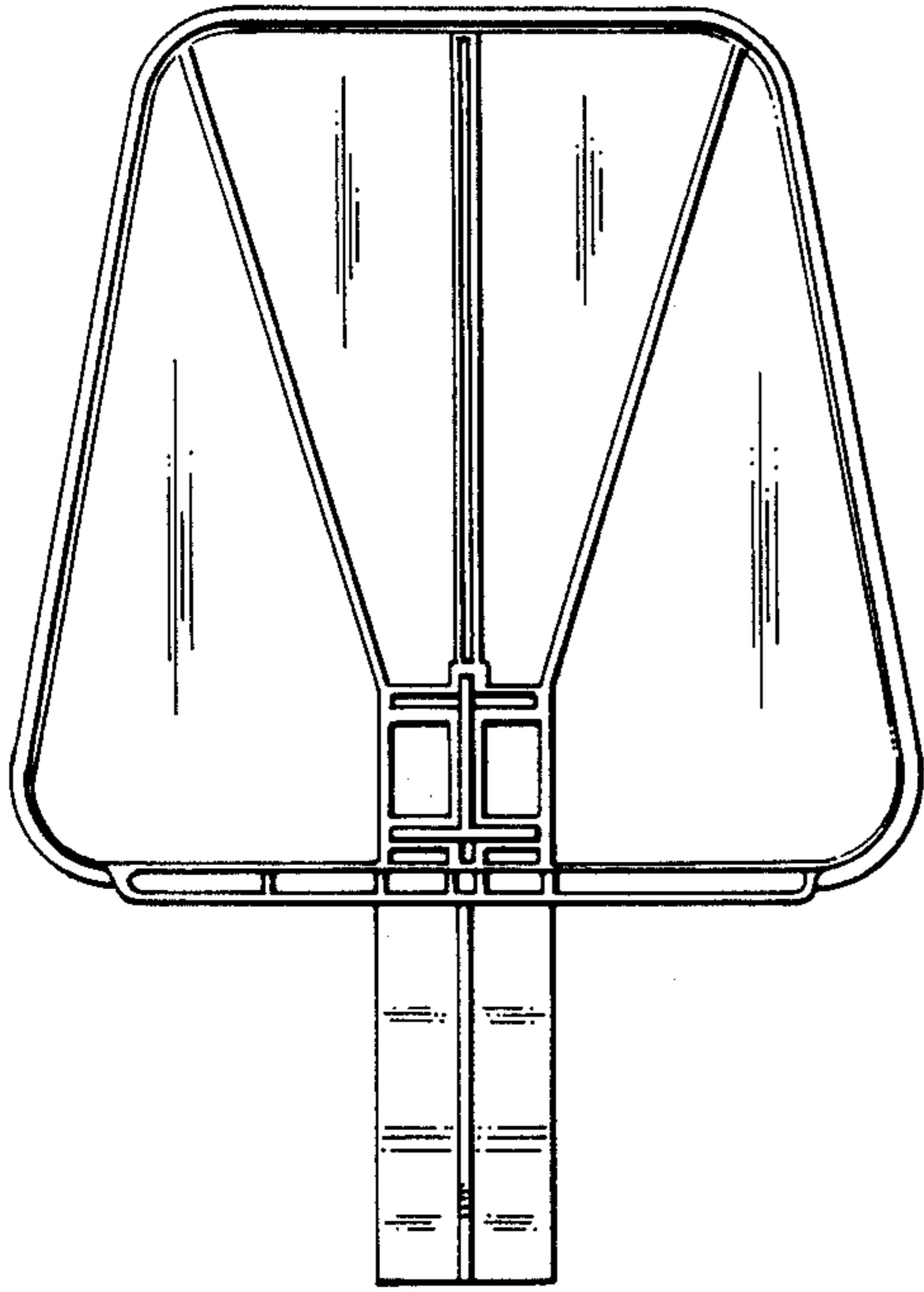


FIG. 6

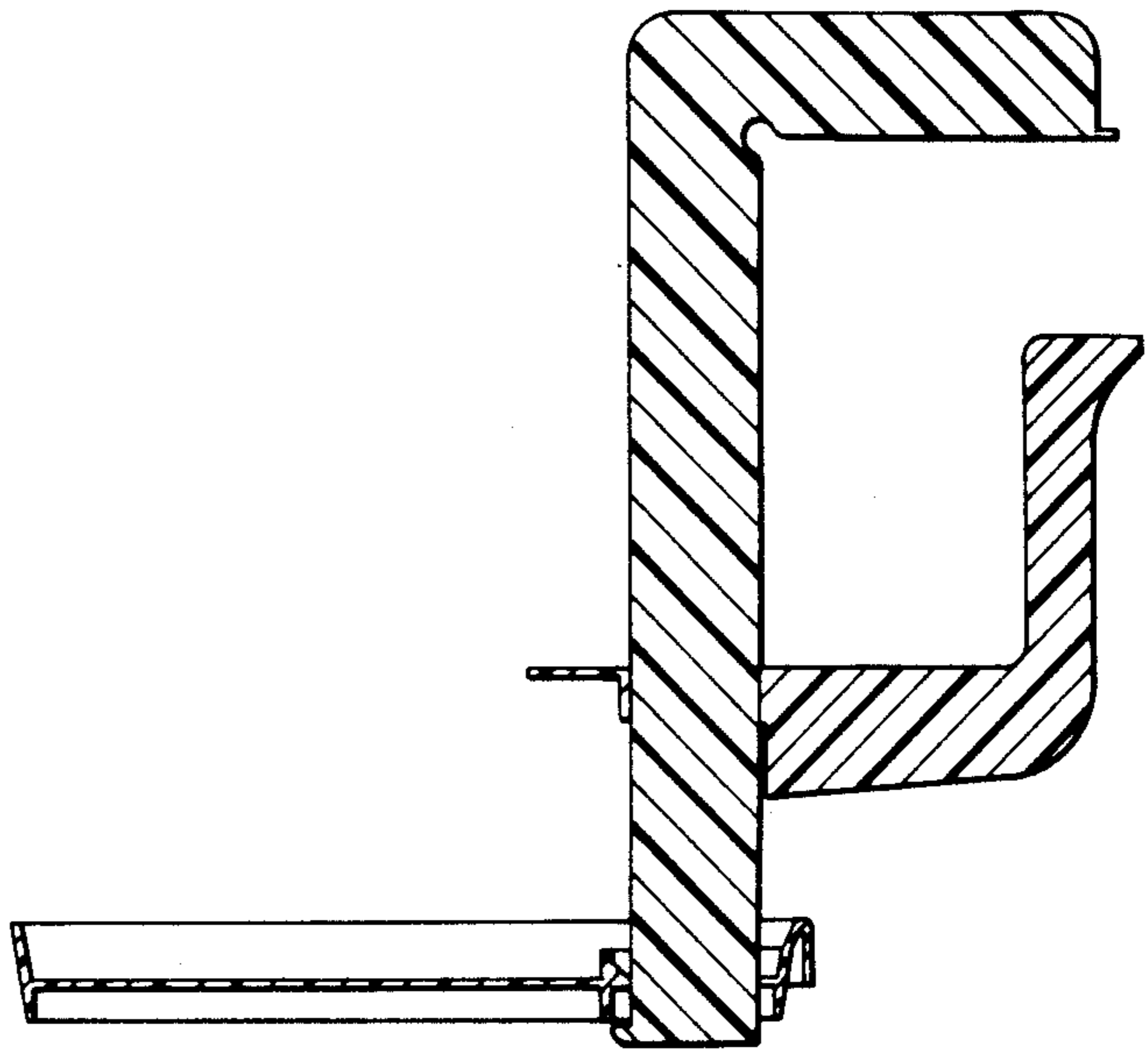


FIG. 8

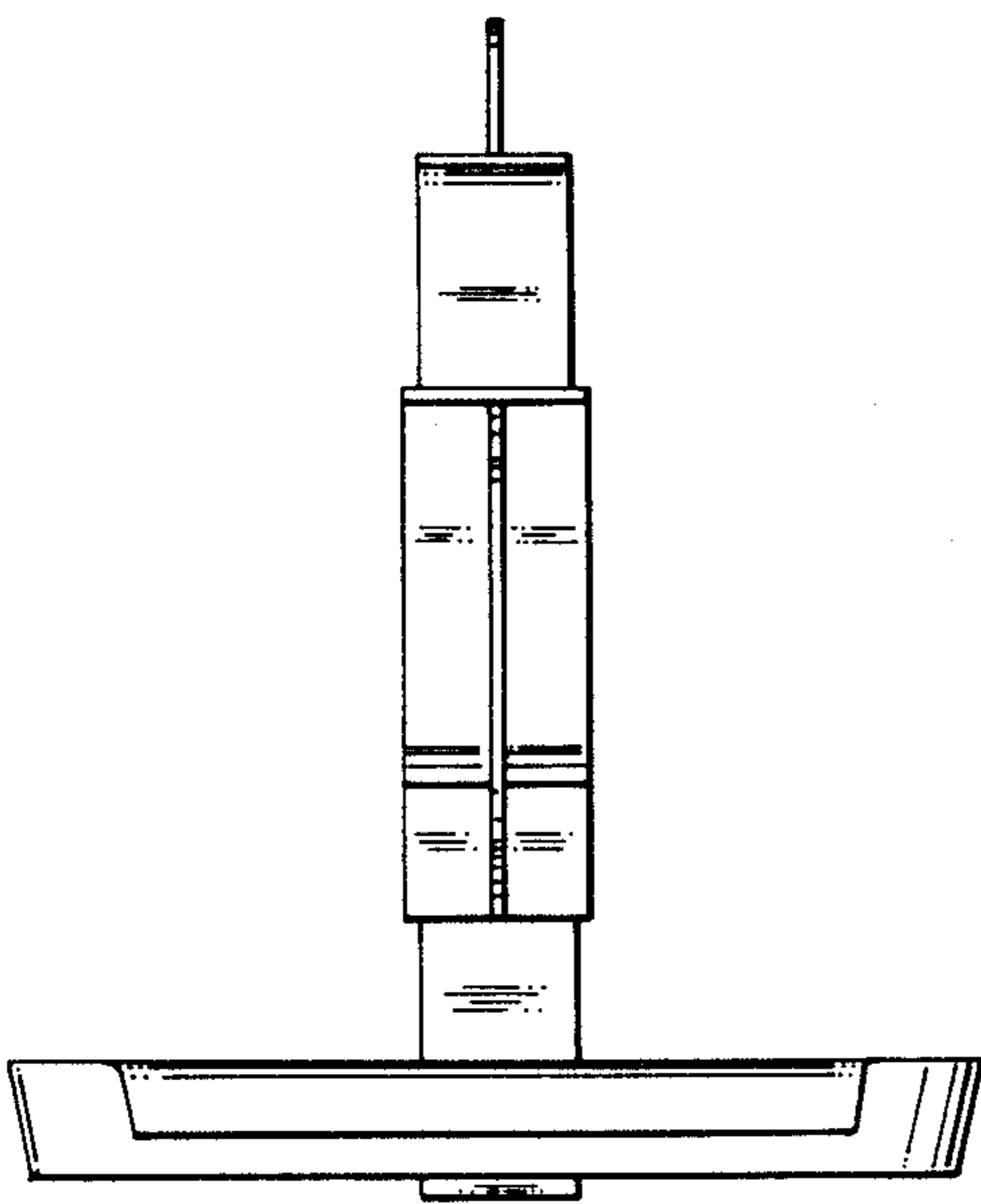


FIG. 5

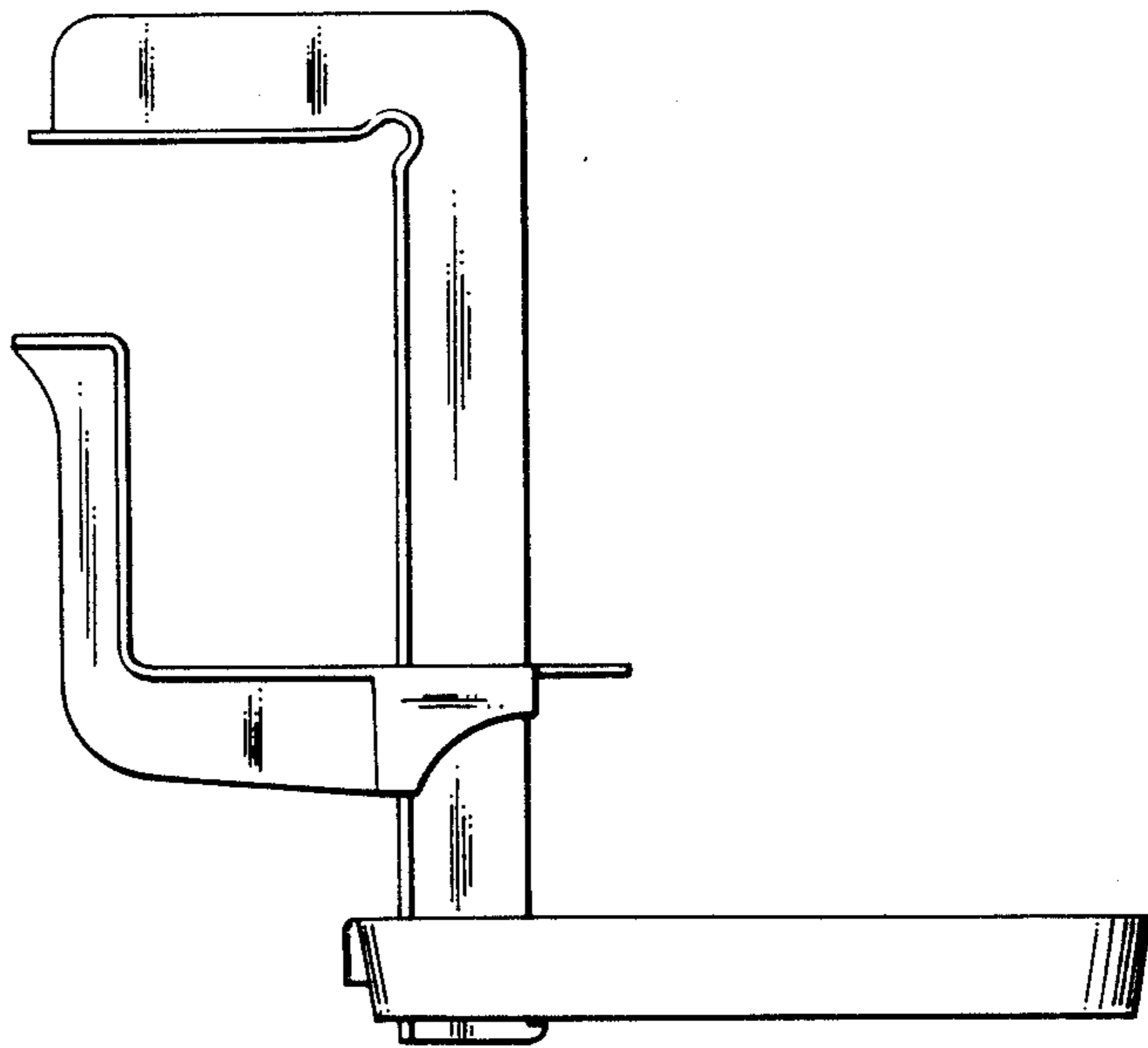


FIG. 7