

[54] COFFEE MAKER

3,182,584 5/1965 Serio D7/60 X

[75] Inventor: Masao Tsuji, North Plainfield, N.J.

OTHER PUBLICATIONS

[73] Assignee: North American Philips Corporation, New York, N.Y.

Schoner Wohnen, 2-1977, p. 150 SW, middle row, left coffeemaker.

[**] Term: 14 Years

Housewares, Jan. 1975, p. 50, Proctor-Silex Adv., coffee pot shown.

[21] Appl. No.: 858,366

Primary Examiner—Winifred E. Herrmann

[22] Filed: Dec. 7, 1977

Attorney, Agent, or Firm—Frank R. Trifari

[51] Int. Cl. D7-02

[57] CLAIM

[52] U.S. Cl. D7/63

The ornamental design for a coffee maker, as shown and described.

[58] Field of Search D7/51-62, D7/63-67, 41, 77

DESCRIPTION

[56] References Cited

U.S. PATENT DOCUMENTS

D. 134,865	1/1943	Schneider	D7/63
D. 153,342	4/1949	Fishelson	D7/63
D. 198,807	8/1964	Bruce et al.	D7/63
D. 235,183	5/1975	Braun	D7/63 X

FIG. 1 is a front elevational view of a coffee maker showing my new design, the rear elevational view being a mirror image and the bottom being flat; FIG. 2 is a left-side elevational view thereof; FIG. 3 is a top plan view thereof; and FIG. 4 is a right-side elevational view thereof.

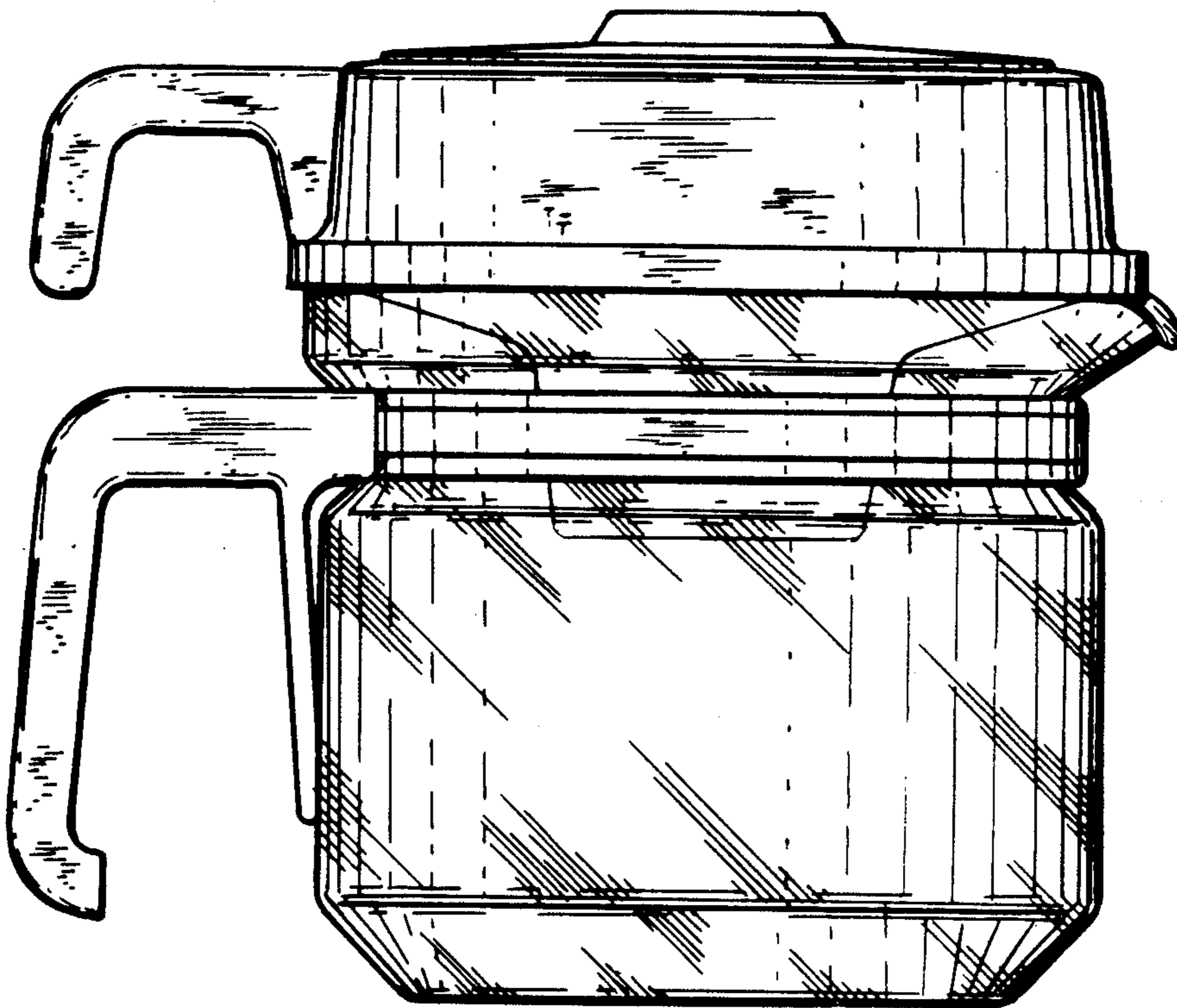


FIG. 1.

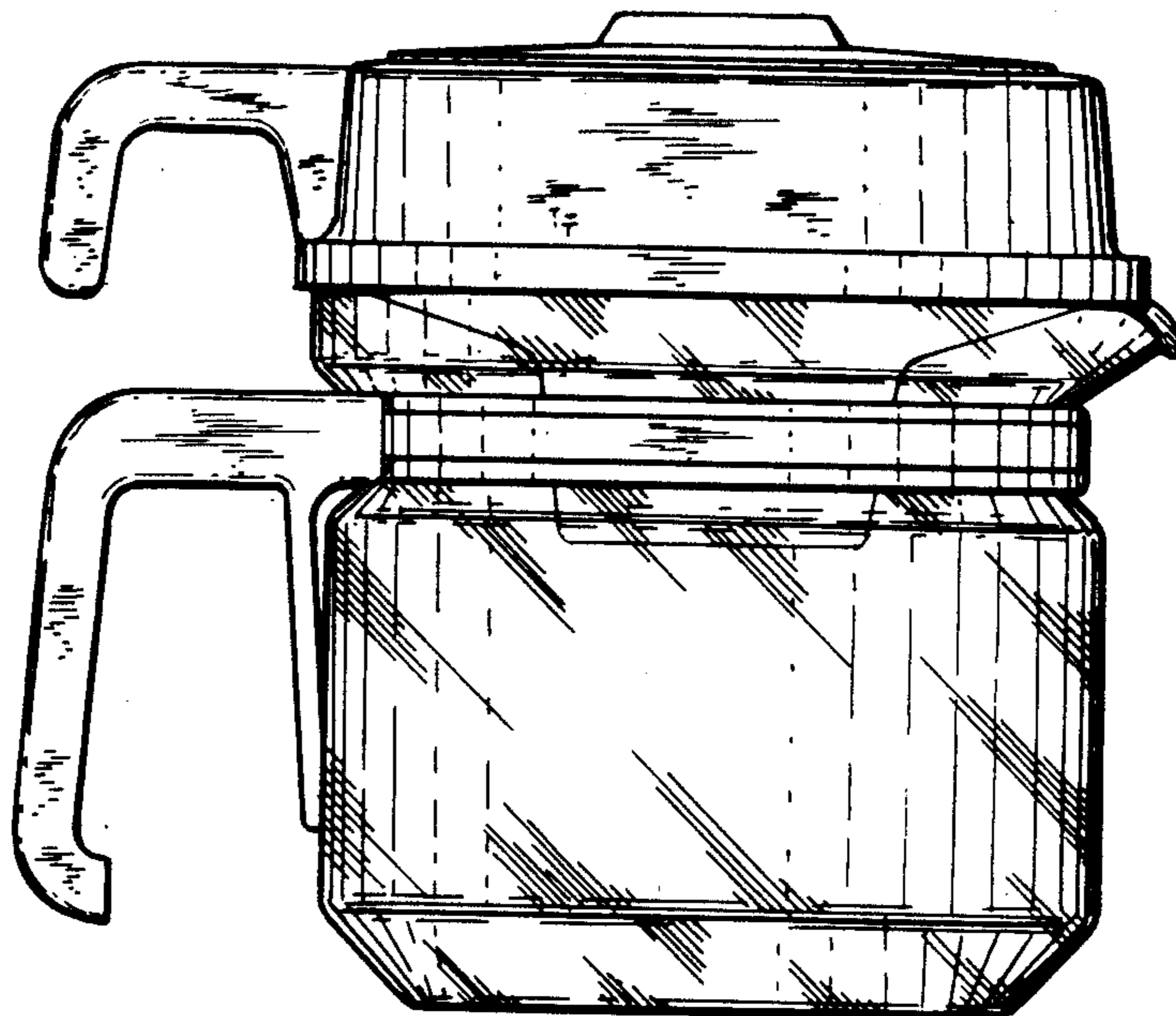


FIG. 2.

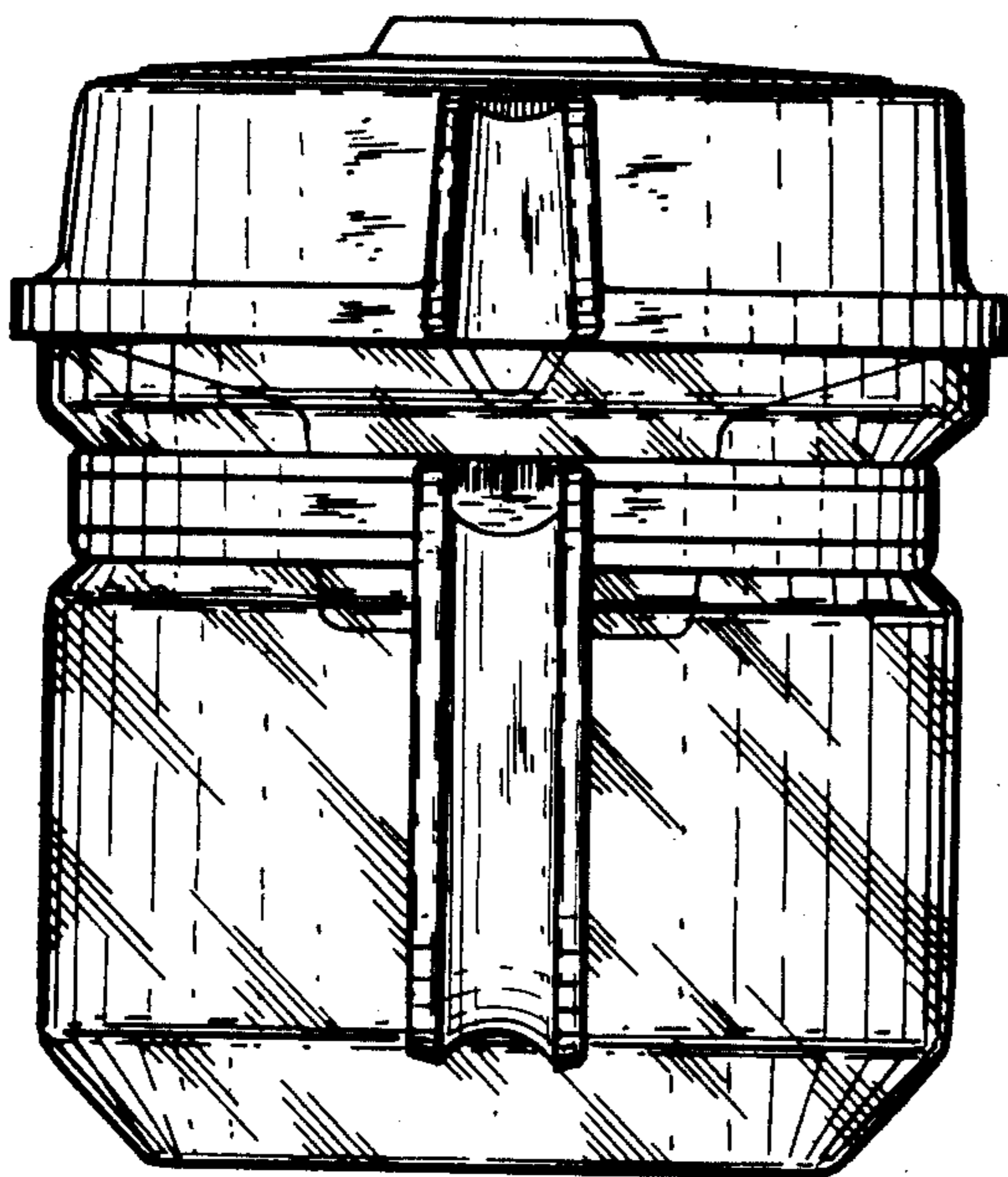


FIG. 4.

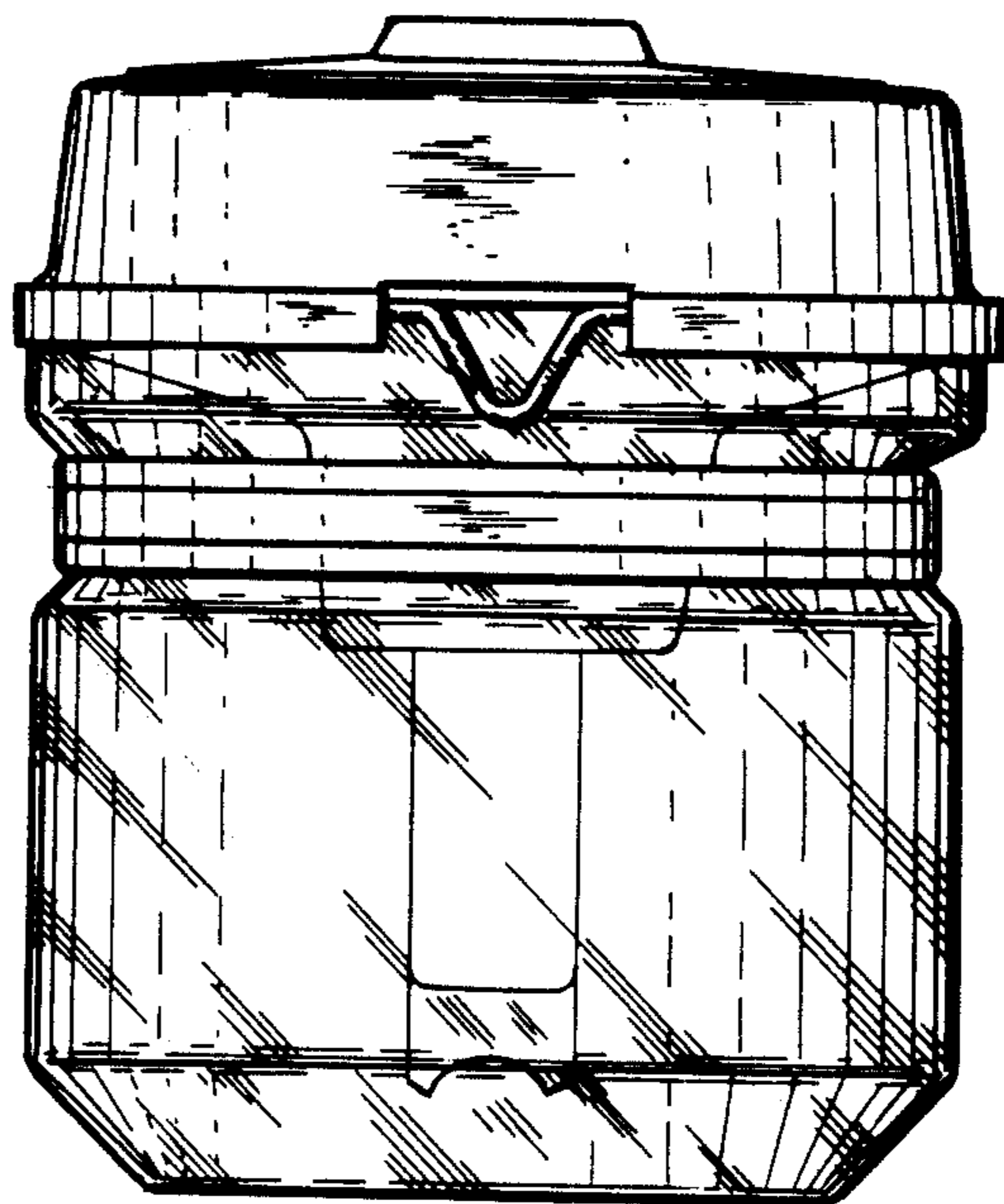


FIG. 3.

