

[54] SURGICAL LIGHT

3,891,842 6/1975 Strusinski ..... 362/804 X  
4,037,096 7/1977 Brendgord et al. .... 362/294

[75] Inventor: Thomas Brendgord, Eric, Pa.

Primary Examiner—Susan J. Lucas  
Attorney, Agent, or Firm—Raymond N. Baker

[73] Assignee: American Sterilizer Company, Erie, Pa.

[57] CLAIM

[\*\*] Term: 14 Years

The ornamental design for a surgical light, substantially as shown and described.

[21] Appl. No.: 847,726

DESCRIPTION

[22] Filed: Nov. 2, 1977

[51] Int. Cl. .... D26—05

FIG. 1 is a front perspective view of a surgical light showing my new design;

[52] U.S. Cl. .... D26/65

FIG. 2 is a front elevational view thereof on an enlarged scale;

[58] Field of Search ..... D48/20 E, 20 H, 20 K;  
362/217, 218, 220, 222, 223, 225, 294, 362, 804,  
382

FIG. 3 is a side elevational view thereof on an enlarged scale;

[56] References Cited

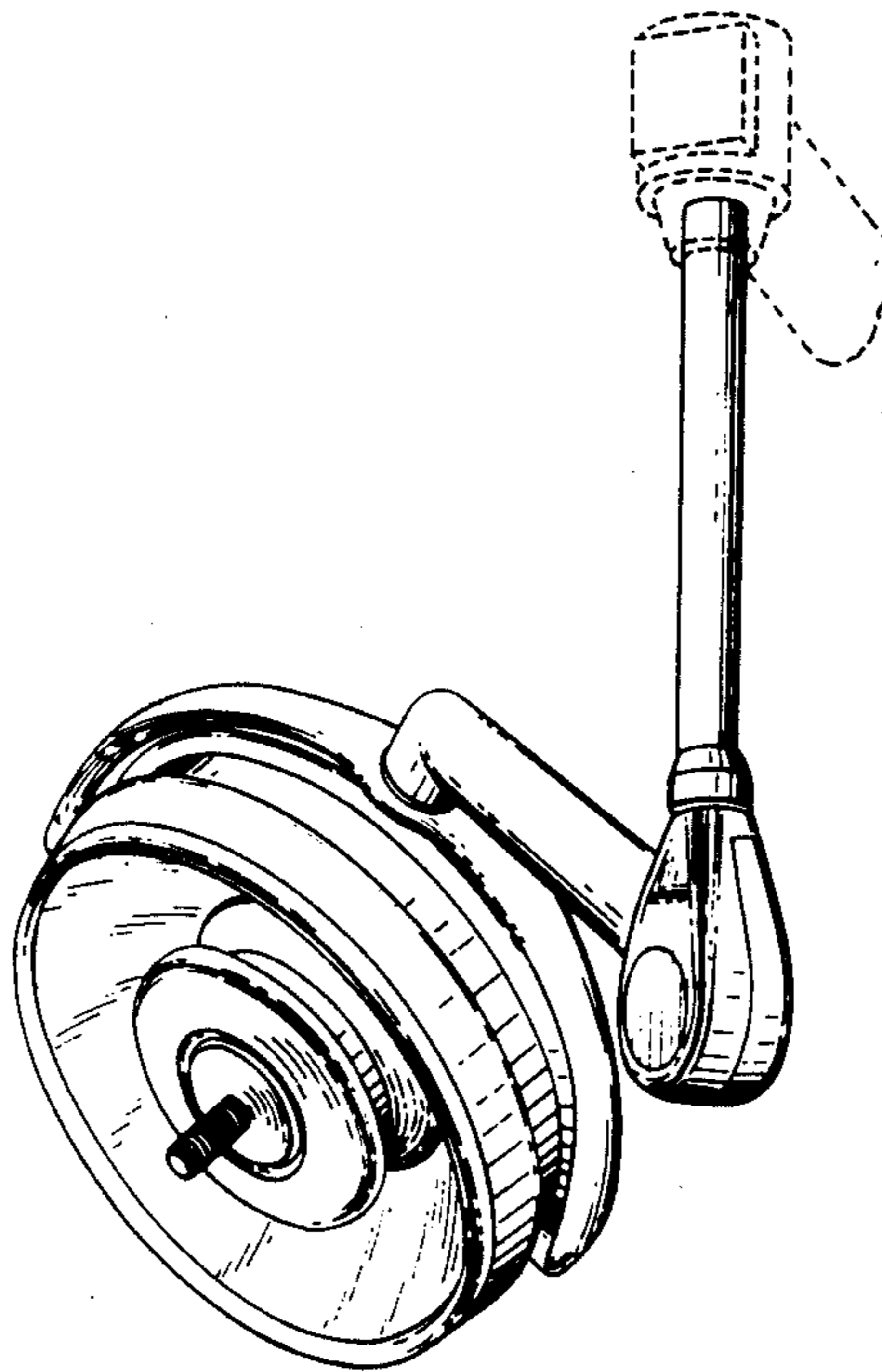
U.S. PATENT DOCUMENTS

FIG. 4 is a rear elevational view thereof on an enlarged scale; and

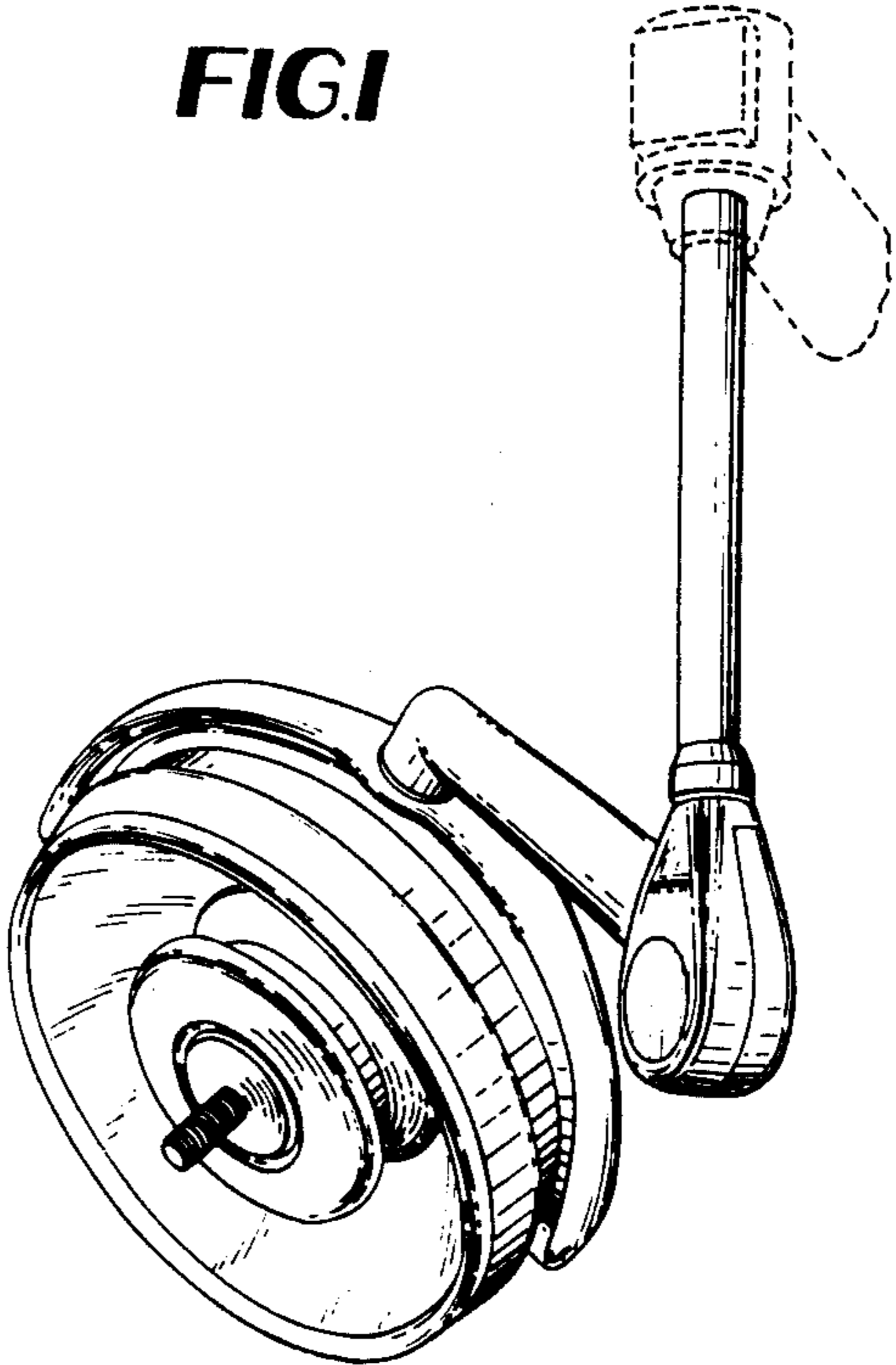
FIG. 5 is a rear perspective view thereof.

- D. 187,948 5/1960 Lauterbach ..... D48/20 H
- 2,896,066 7/1959 Quetin ..... 362/216 X
- 2,944,143 7/1960 Gunther ..... D48/20 H X

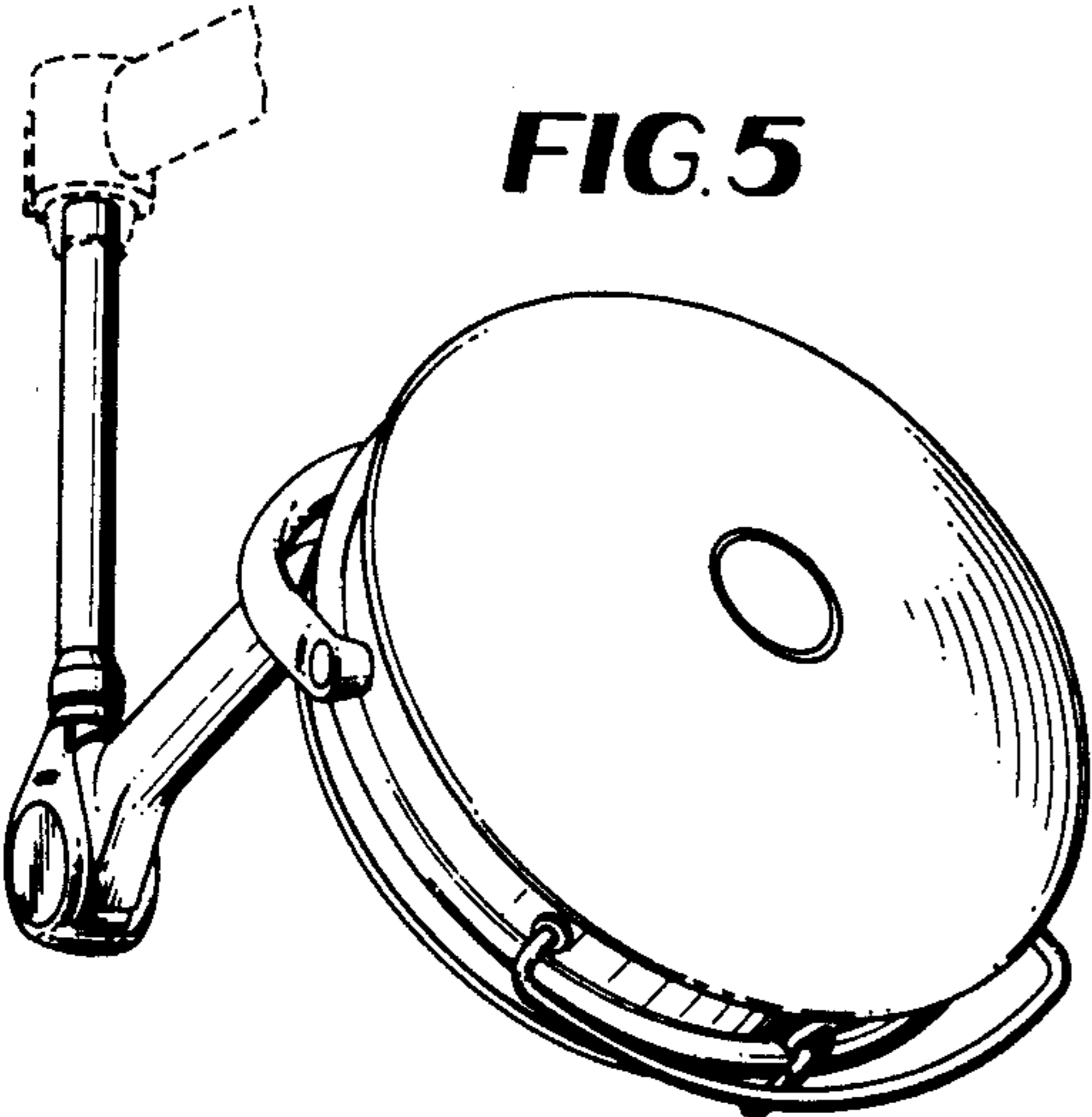
The support is shown in broken lines for illustrative purposes only. The lamp and support arms are shown in alternate positions in FIGS. 3 and 5.



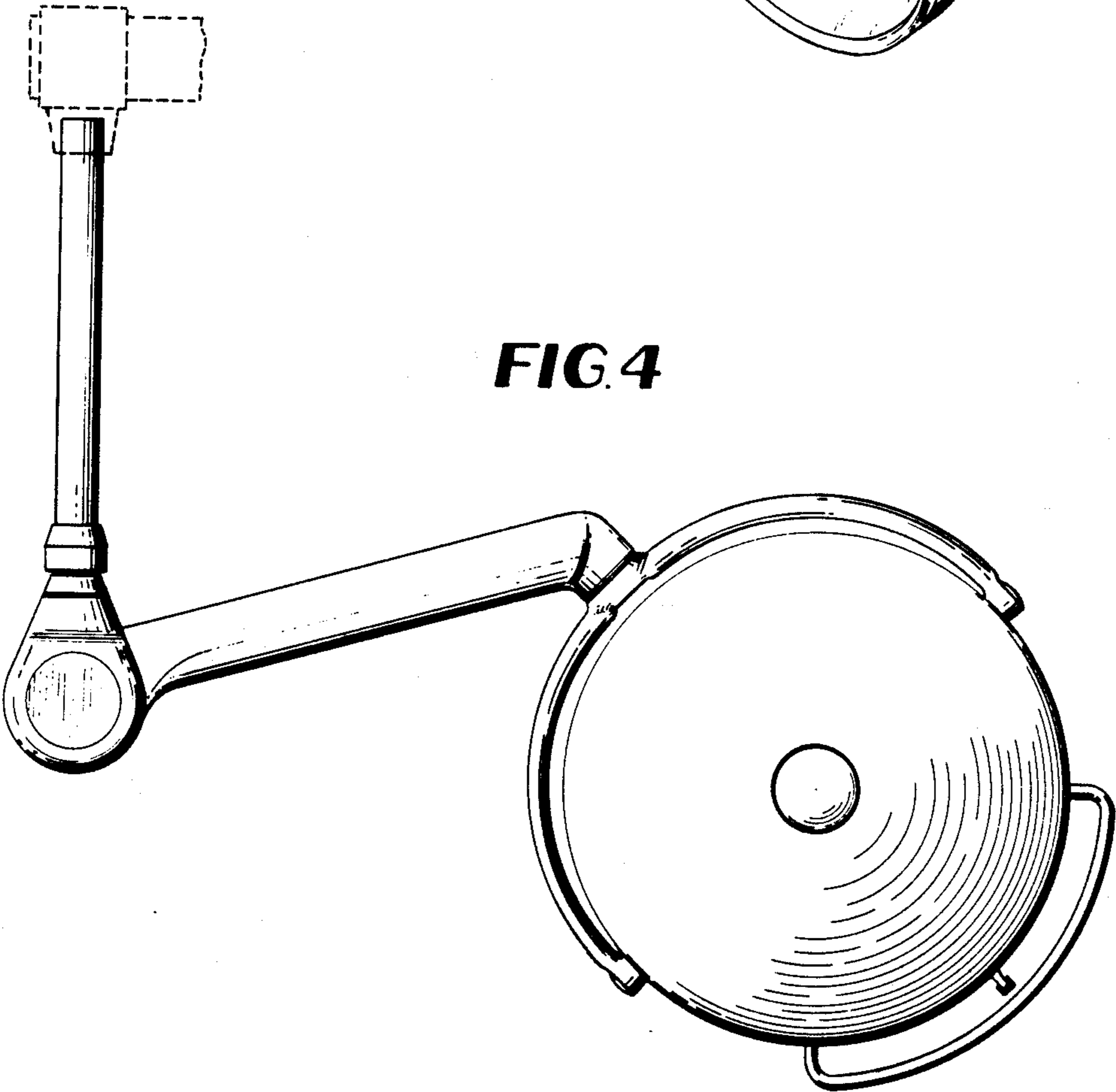
**FIG. 1**



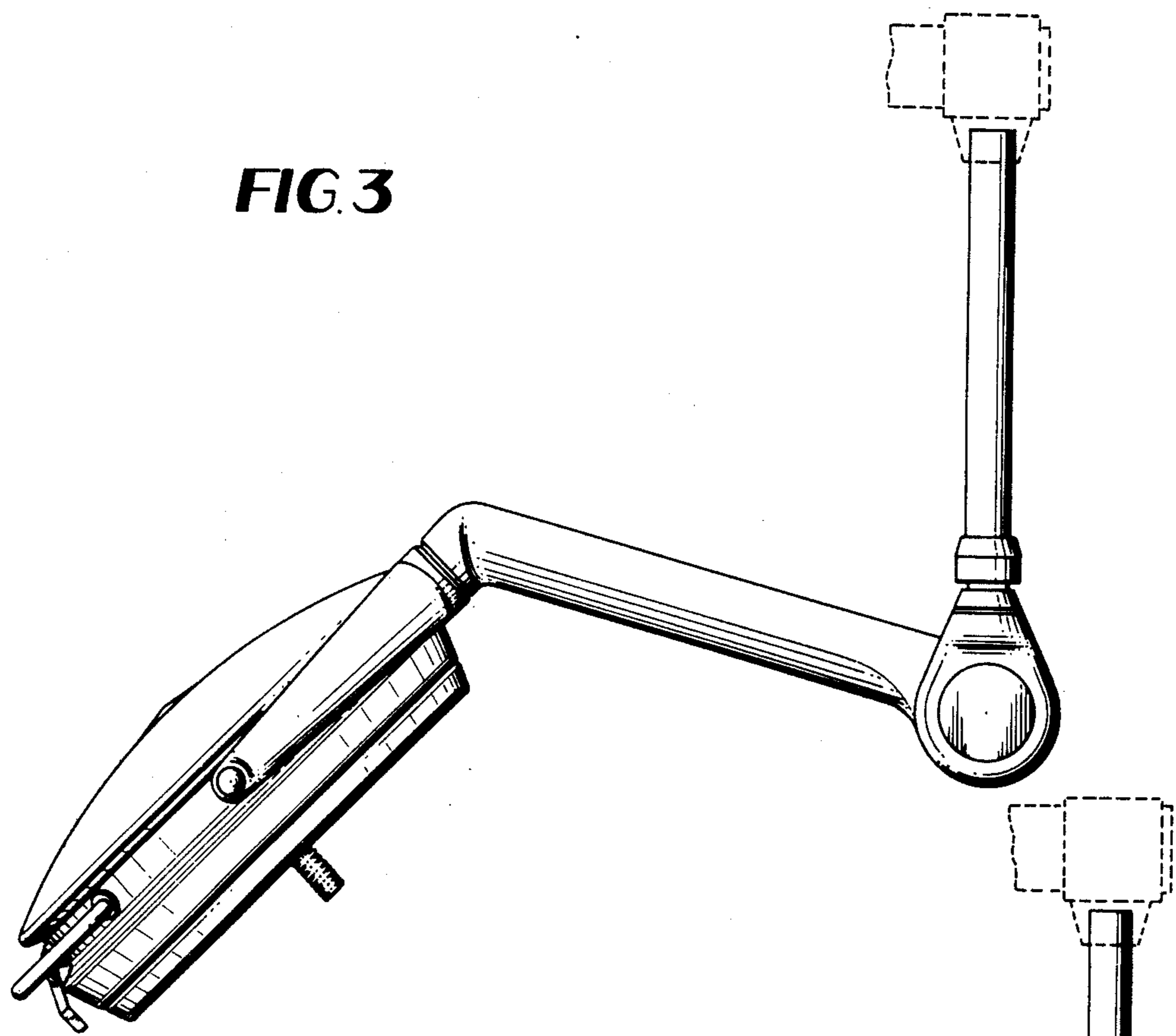
**FIG. 5**



**FIG. 4**



**FIG.3**



**FIG.2**

