

[54] COMBINED TOILET AND FLUSH TANK

[75] Inventor: Ulrich Witzig, Wolfhausen-Bubikon, Switzerland

[73] Assignee: Geberit AG, Jona, Switzerland

[**] Term: 14 Years

[21] Appl. No.: 763,455

[22] Filed: Jan. 28, 1977

[30] Foreign Application Priority Data

Sep. 16, 1976 [CH] Switzerland 108753/76

[51] Int. Cl. D23-02

[52] U.S. Cl. D23/65

[58] Field of Search D23/48-50, D23/65-68; 4/353, 405, 410

[56] References Cited

U.S. PATENT DOCUMENTS

D. 95,733	5/1935	Duncan	D23/65
D. 97,839	12/1935	Callahan	D23/65
D. 97,874	12/1935	Tjaarda	D23/65
D. 101,441	10/1936	Dreyfuss	D23/65
D. 186,707	11/1959	Harrison	D23/65
3,968,525	7/1976	Alexander	4/410

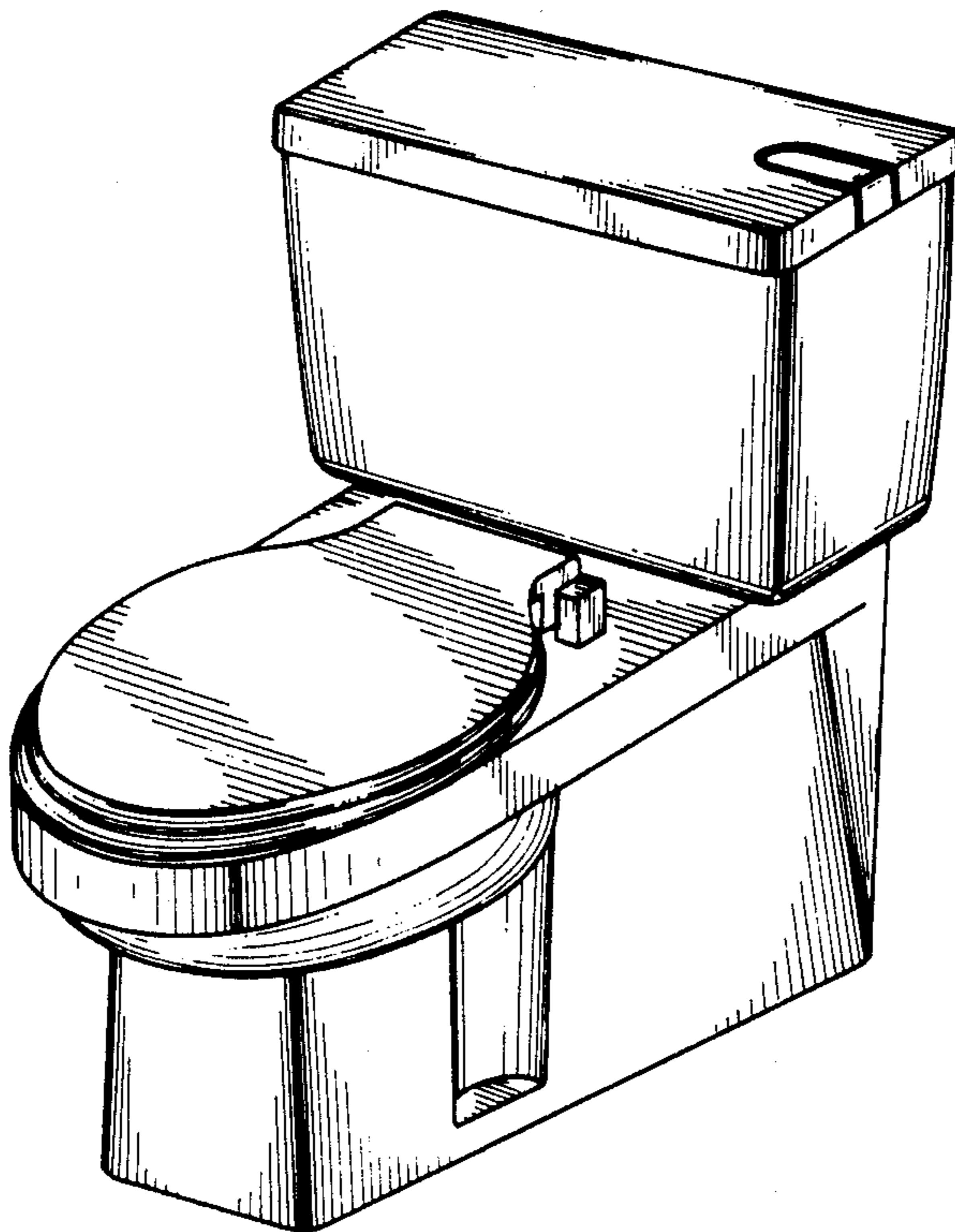
Primary Examiner—James R. Largen
Attorney, Agent, or Firm—Richard Wiener

[57] CLAIM

The ornamental design for a combined toilet and flush tank, as shown.

DESCRIPTION

FIG. 1 is a front perspective view of the combined toilet and flush tank showing my new design.
FIG. 2 is a rear elevational view thereof.
FIG. 3 is a right side elevational view thereof.
FIG. 4 is a top plan view thereof.
FIG. 5 is a front elevational view thereof.
FIG. 6 is a left side elevational view thereof.
FIG. 7 is a bottom plan view thereof.



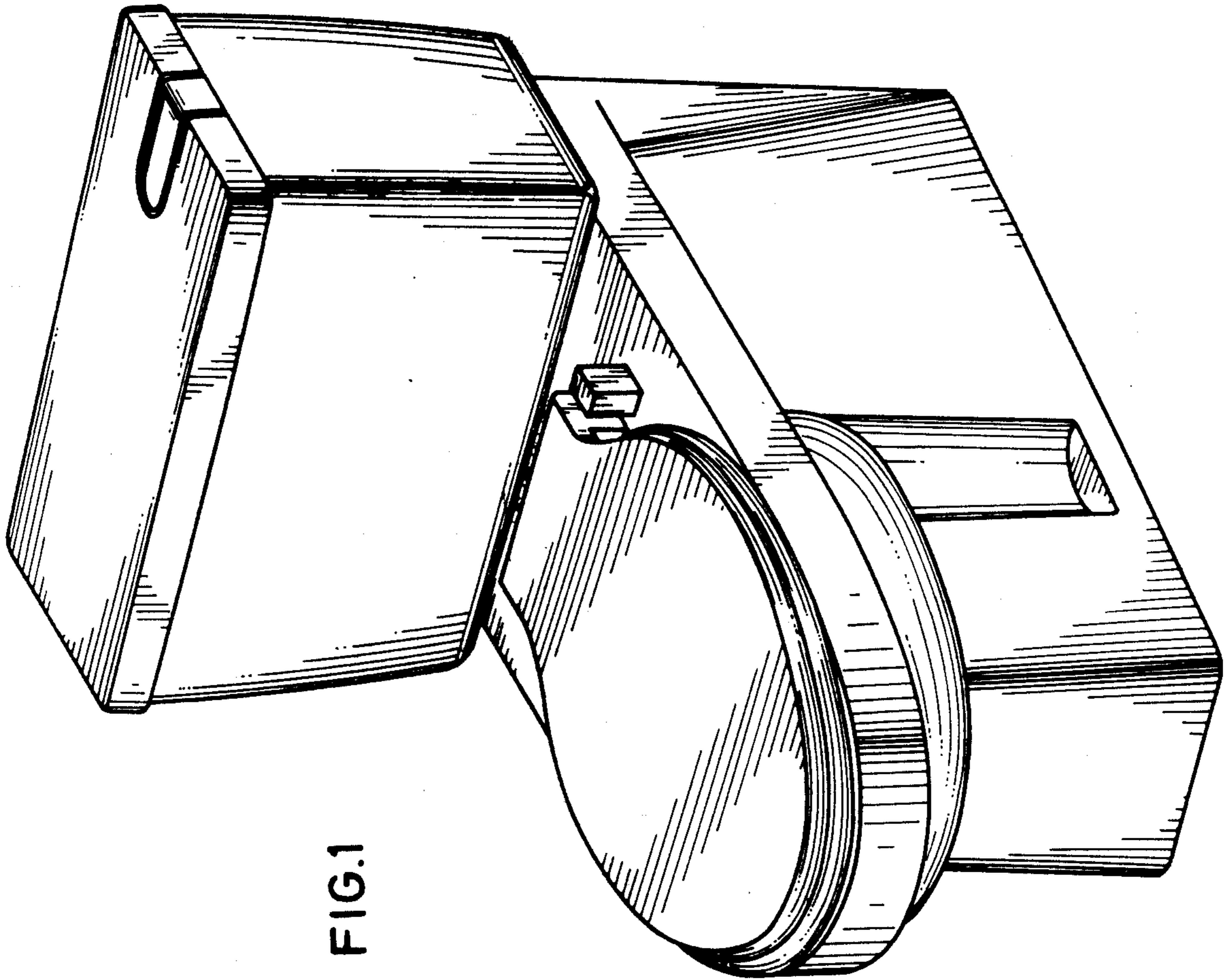


FIG.1

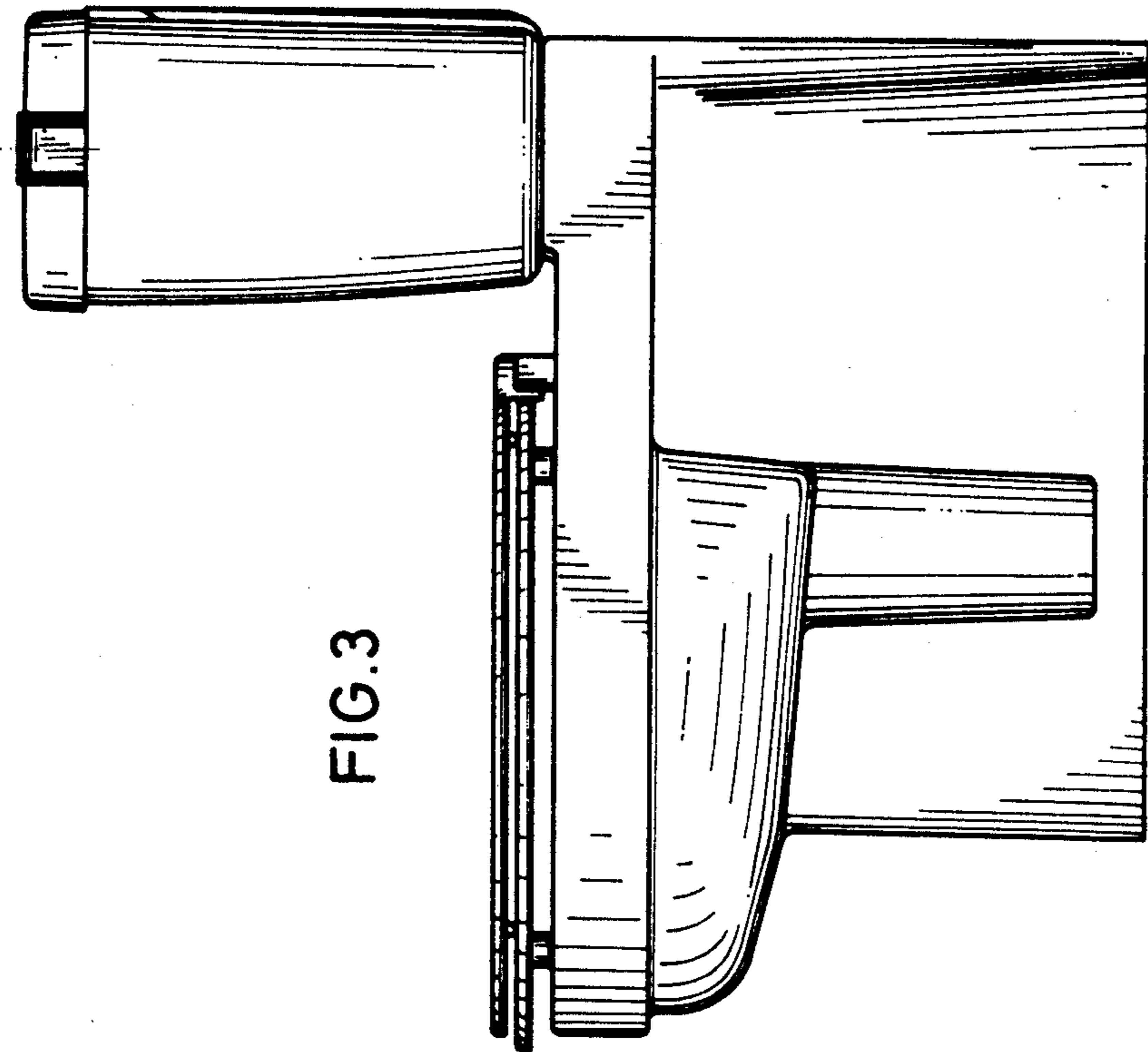


FIG.3

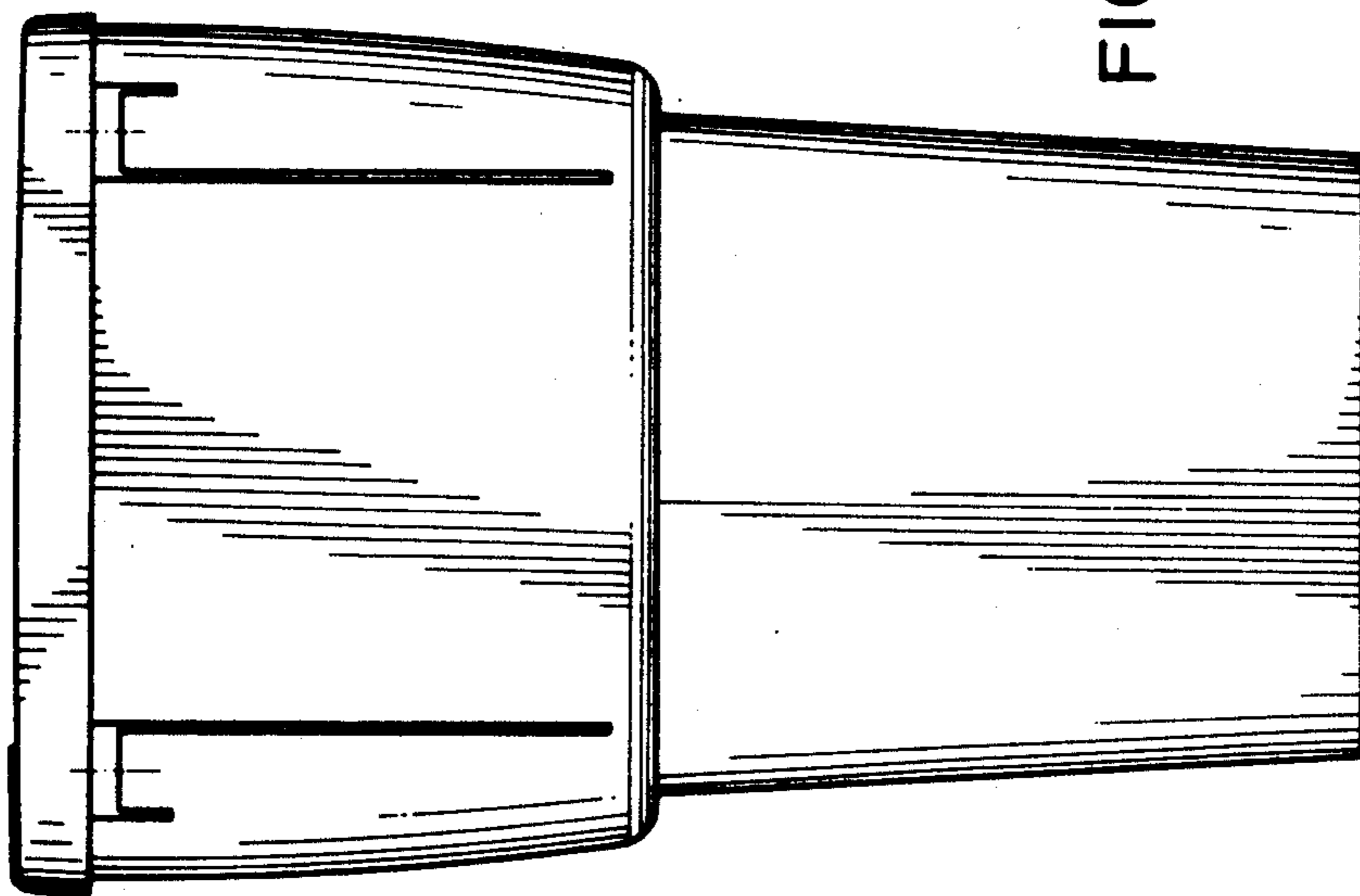


FIG.2

FIG.4

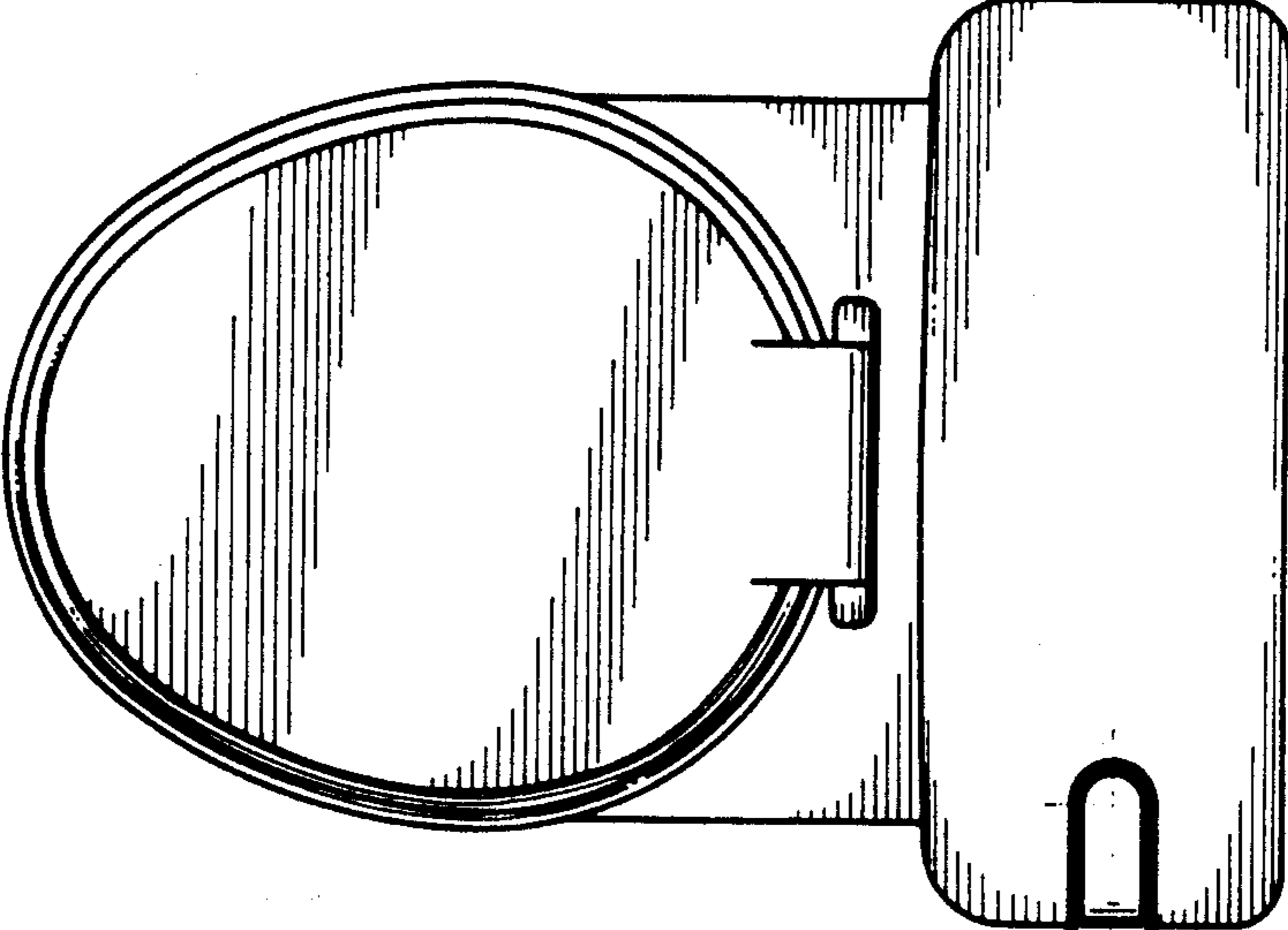


FIG.7

