

[54] HAND-HELD SHOWER HEAD

3,865,310 2/1975 Elkins et al. 239/588 X

[76] Inventors: Charles M. Kelly, 1016 St. Margarets Dr.; Francis C. Keffer, 1168 Summit Dr., both of Annapolis, Md. 21401

Primary Examiner—James R. Largen
Attorney, Agent, or Firm—Arthur Schwartz

[**] Term: 14 Years

[57] CLAIM

[21] Appl. No.: 826,238

The ornamental designs for a hand-held shower head, as shown and described.

[22] Filed: Aug. 19, 1977

DESCRIPTION

[51] Int. Cl. D23—01

FIG. 1 is a top plan view of a hand-held shower head showing our new design;

[52] U.S. Cl. D23/35

FIG. 2 is a front elevational view thereof;

[58] Field of Search D23/34-40;

FIG. 3 is a bottom plan view thereof;

239/530, 558, 559, 588

FIG. 4 is a right side elevational view thereof;

FIG. 5 is a left side elevational view thereof;

[56] References Cited

U.S. PATENT DOCUMENTS

D. 177,354	4/1956	Wagler	D23/35 X
669,845	3/1901	Melavin	239/586
1,319,738	10/1919	Watrous	239/588 X
2,596,387	5/1952	Ellinger	239/525 X
3,319,893	5/1967	Rodgers	239/530 X
3,344,997	10/1967	Fife	239/460 X
3,647,143	1/1972	Shames	239/530 X

FIG. 6 is a rear elevational view thereof;

FIG. 7 is a top plan view of a modified form of the hand-held shower head shown in FIG. 1;

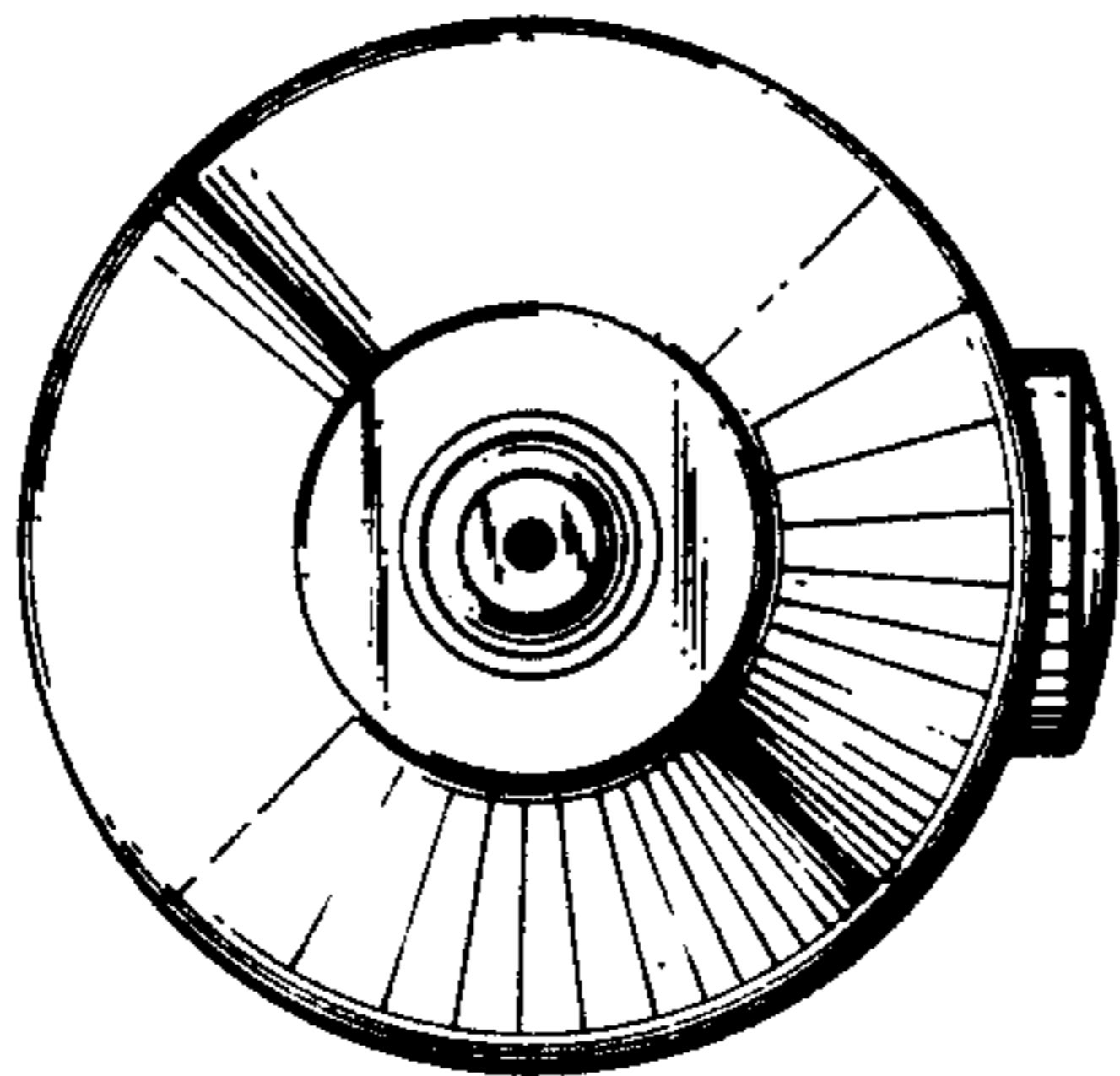
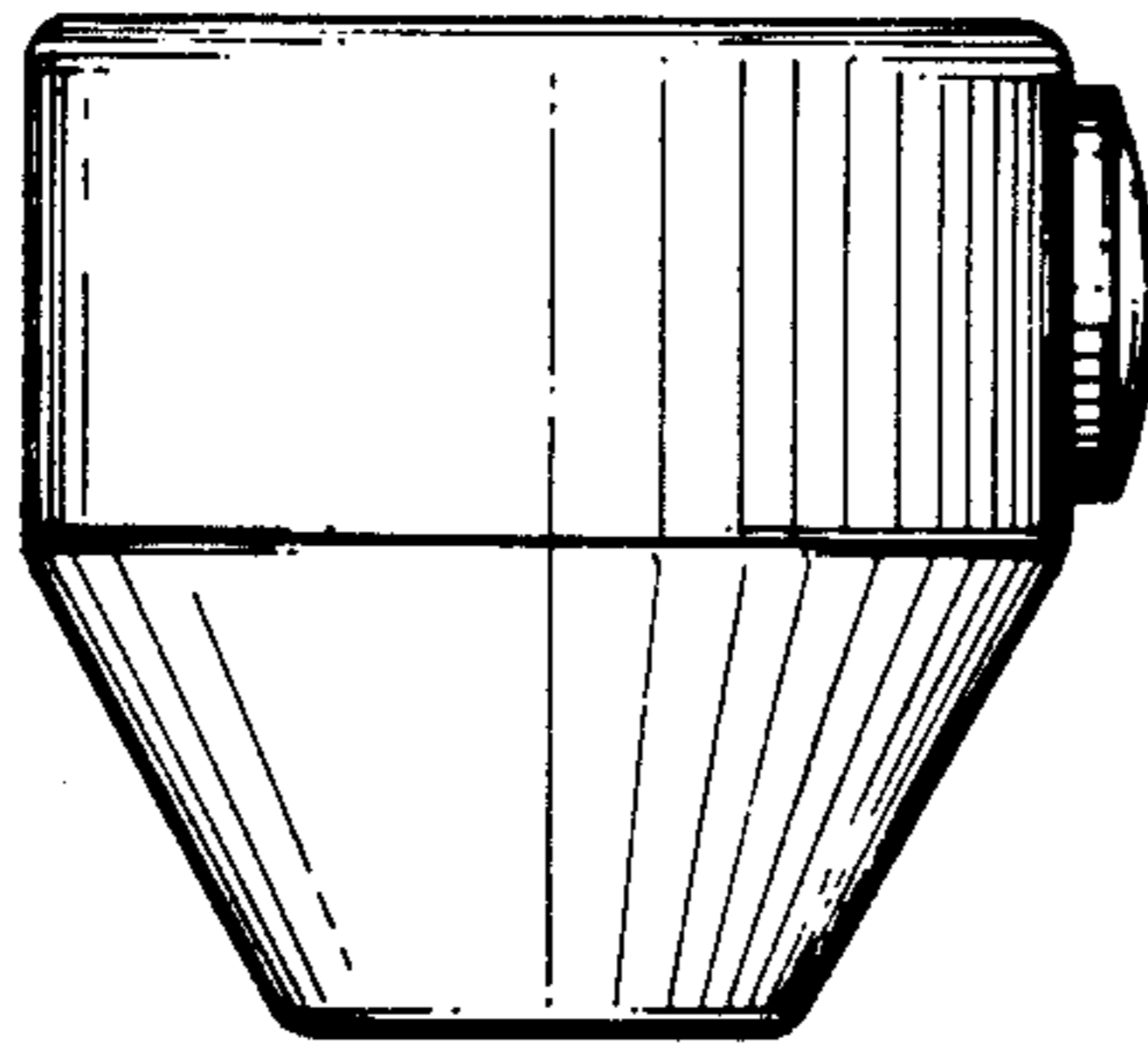
FIG. 8 is a front elevational view of FIG. 7;

FIG. 9 is a bottom plan view of FIG. 7;

FIG. 10 is a right side elevational view of FIG. 7;

FIG. 11 is a left side elevational view of FIG. 7; and

FIG. 12 is a rear elevational view of FIG. 7.



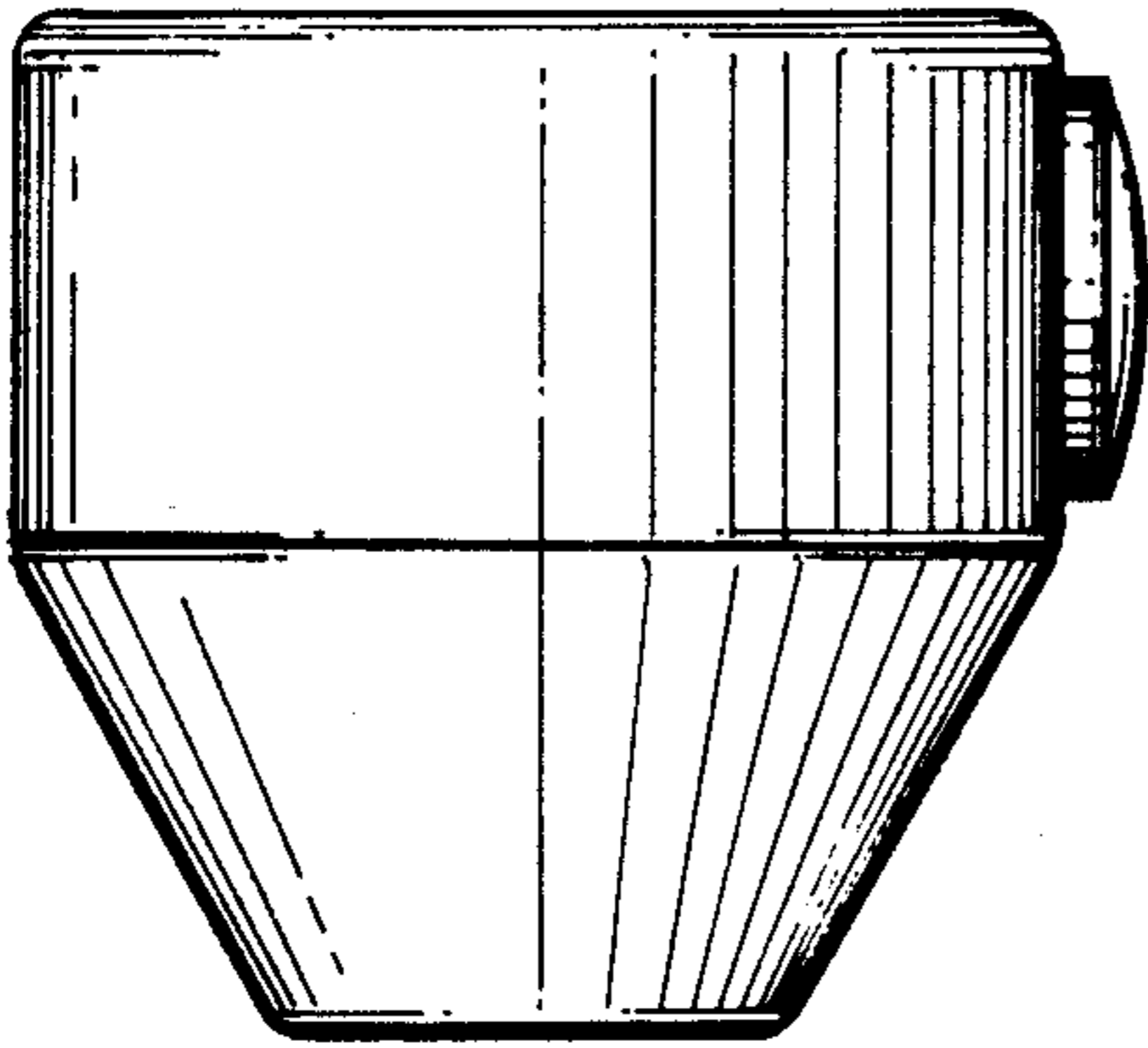


Fig. 1

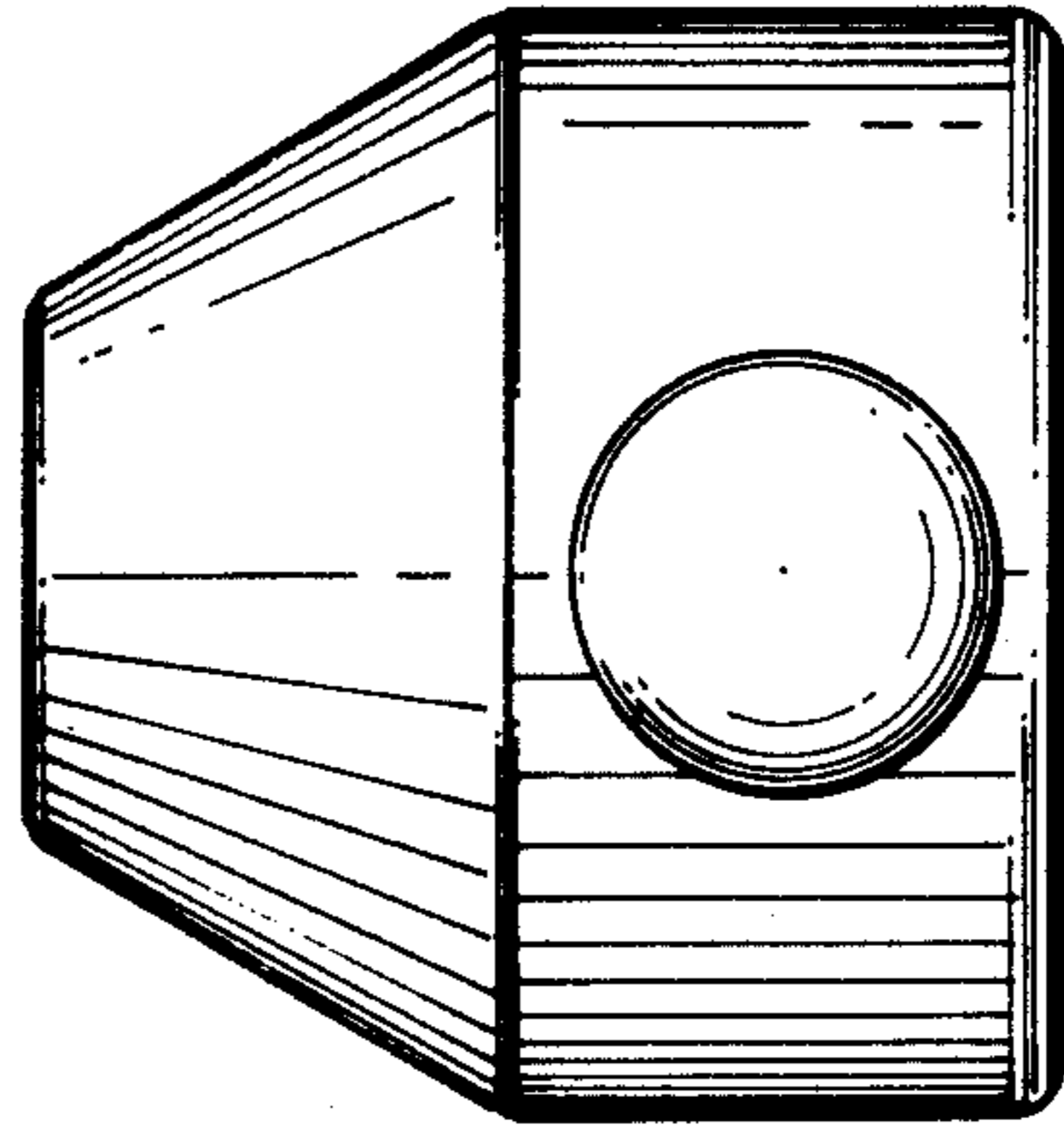


Fig. 4

Fig. 2

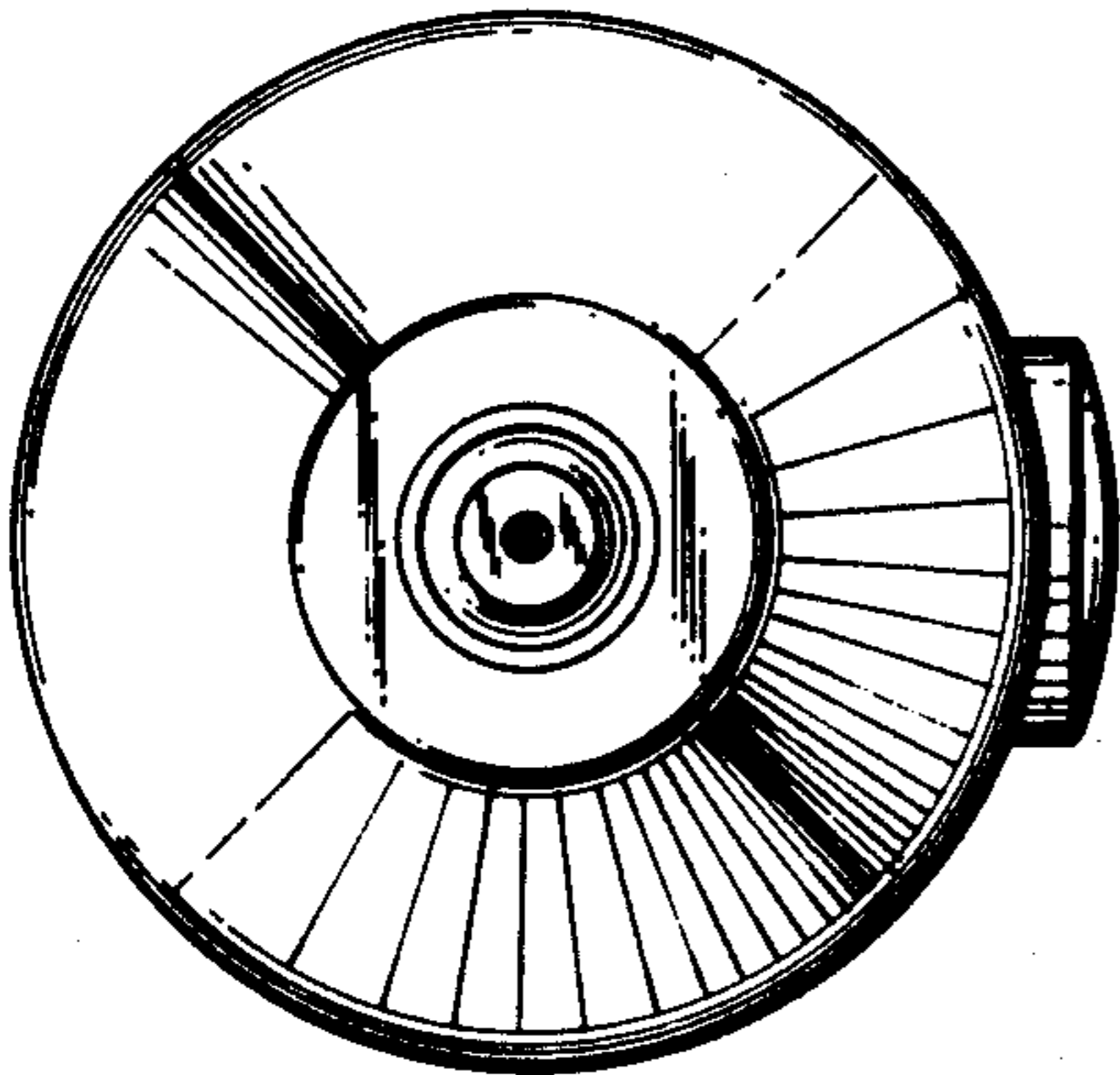


Fig. 5

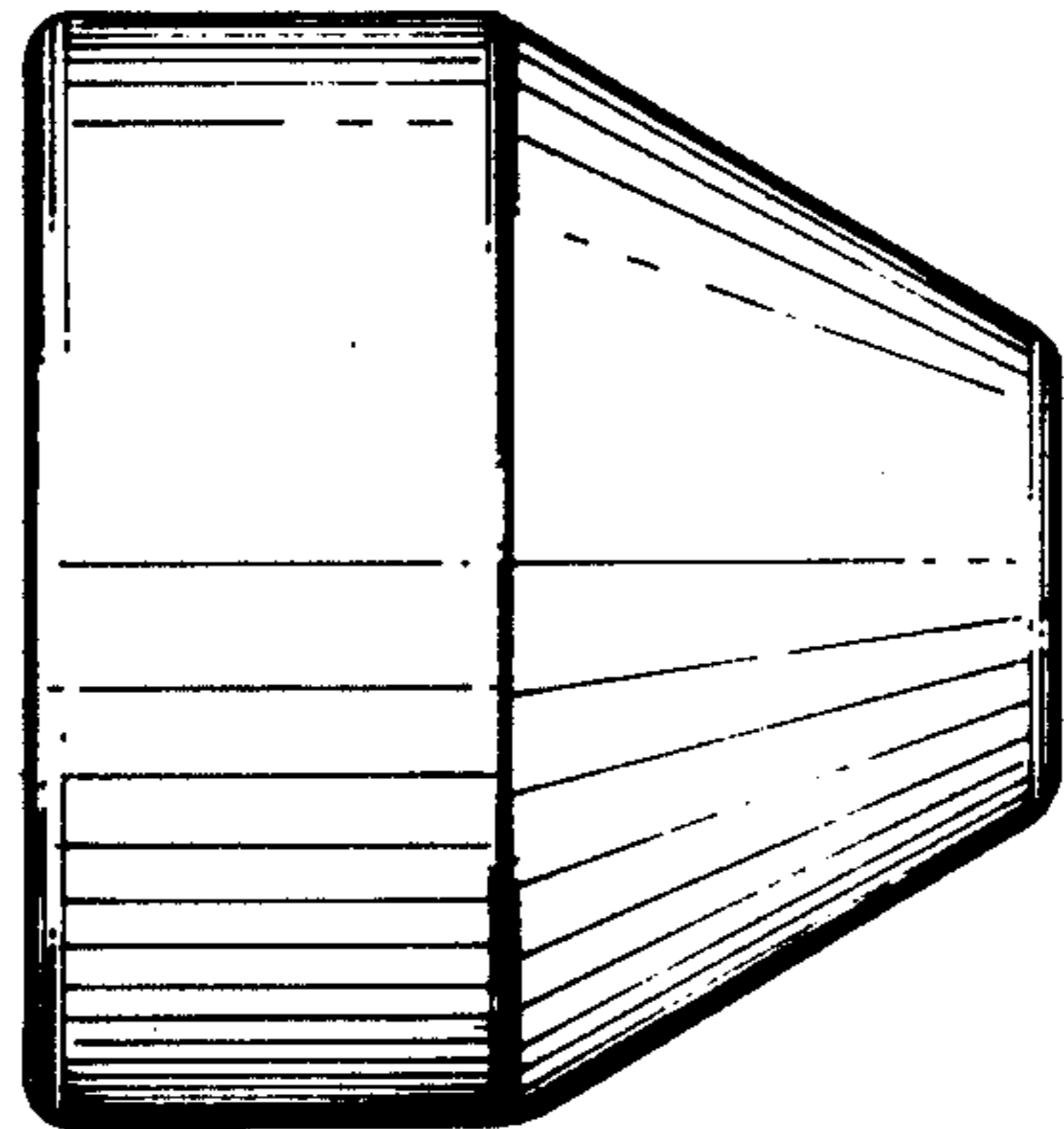


Fig. 3

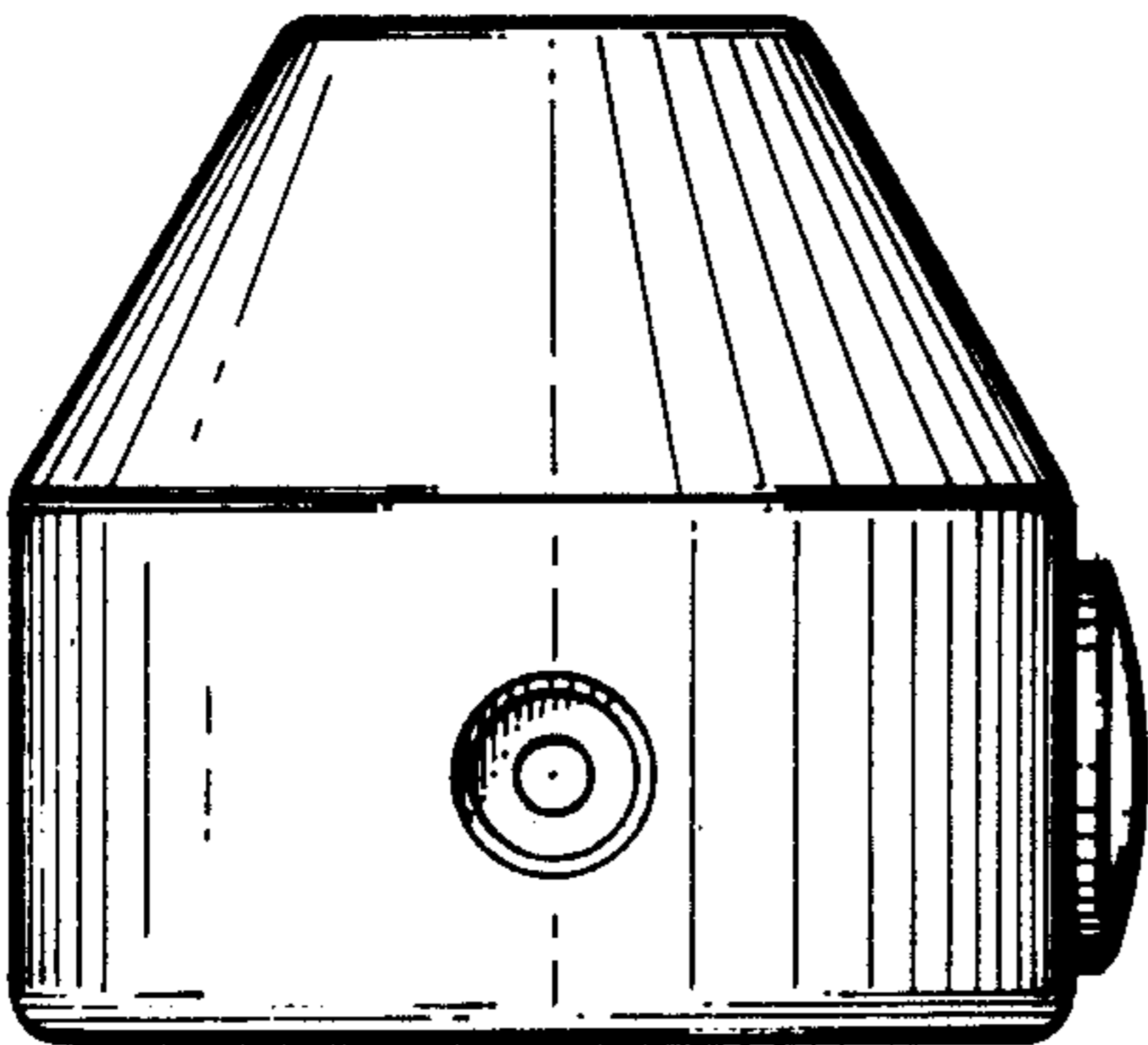
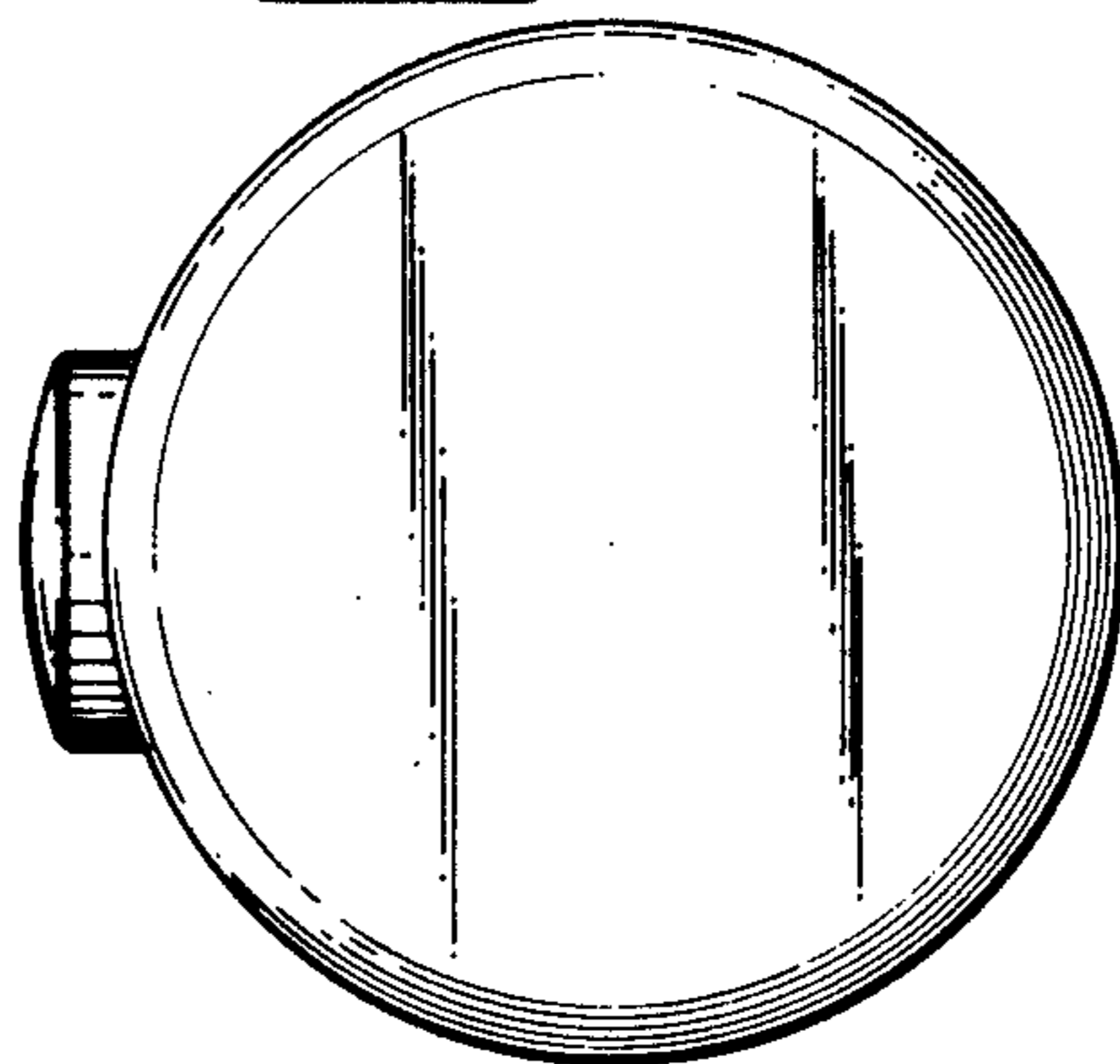


Fig. 6



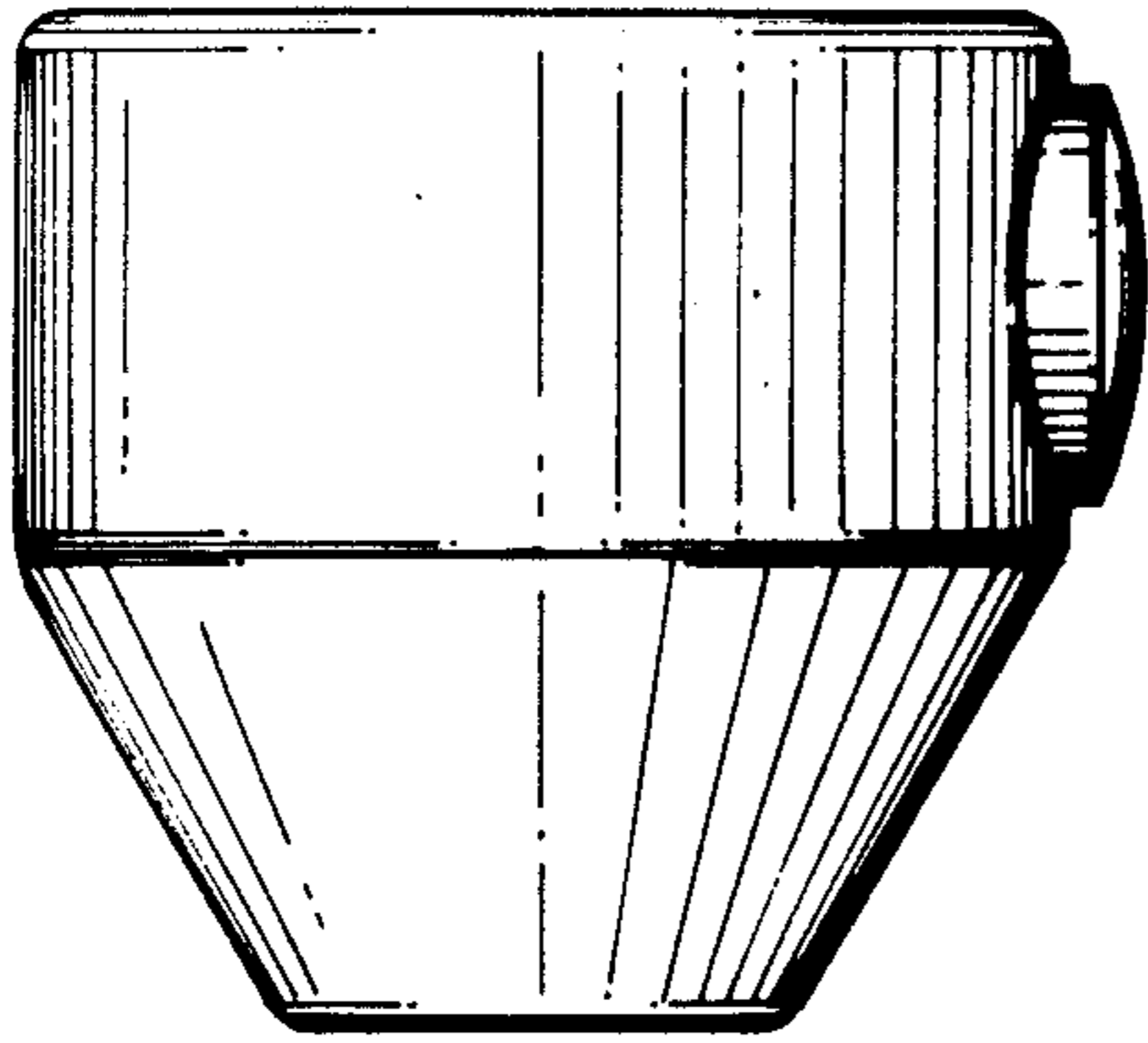


Fig. 7

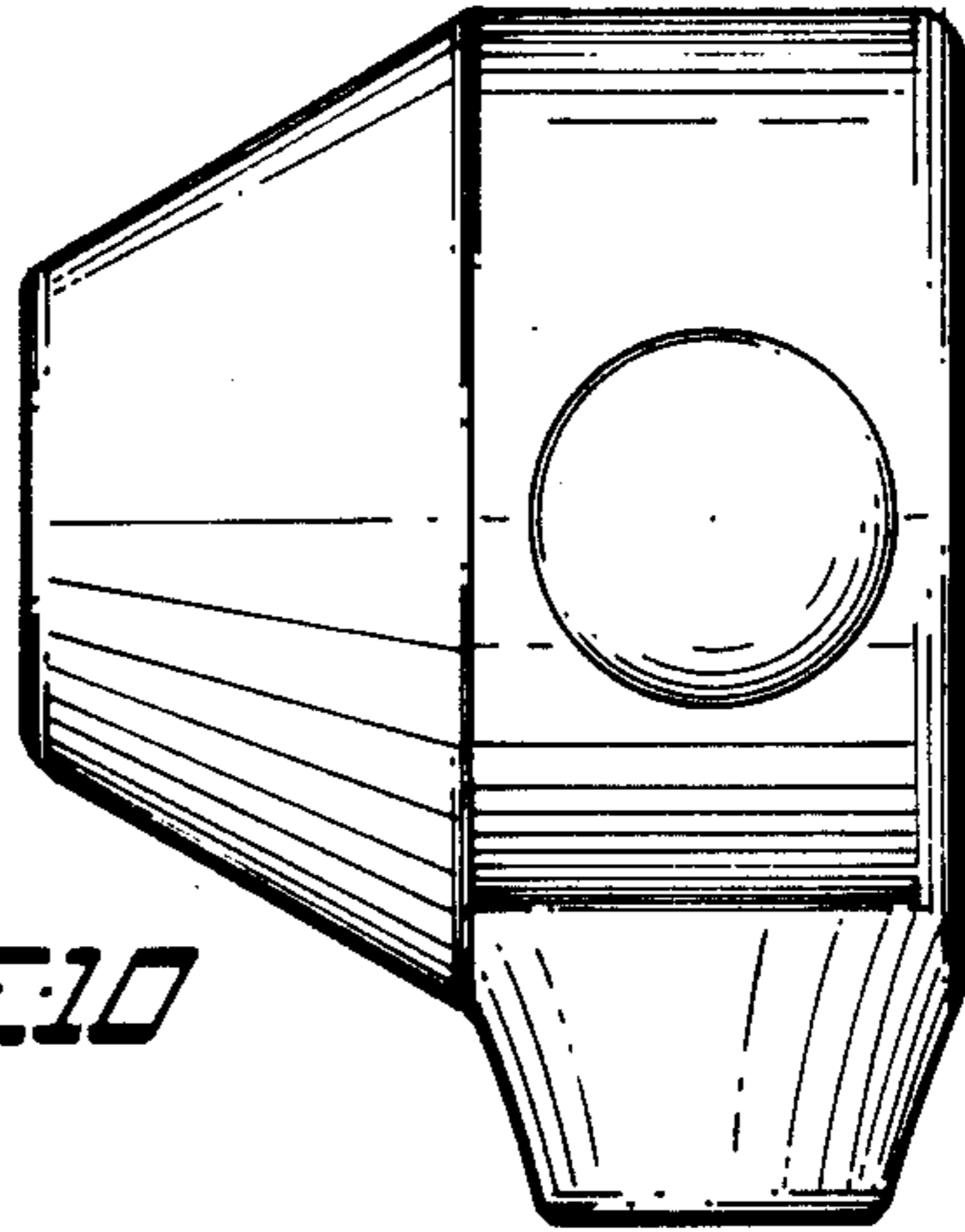


Fig. 10

Fig. 8

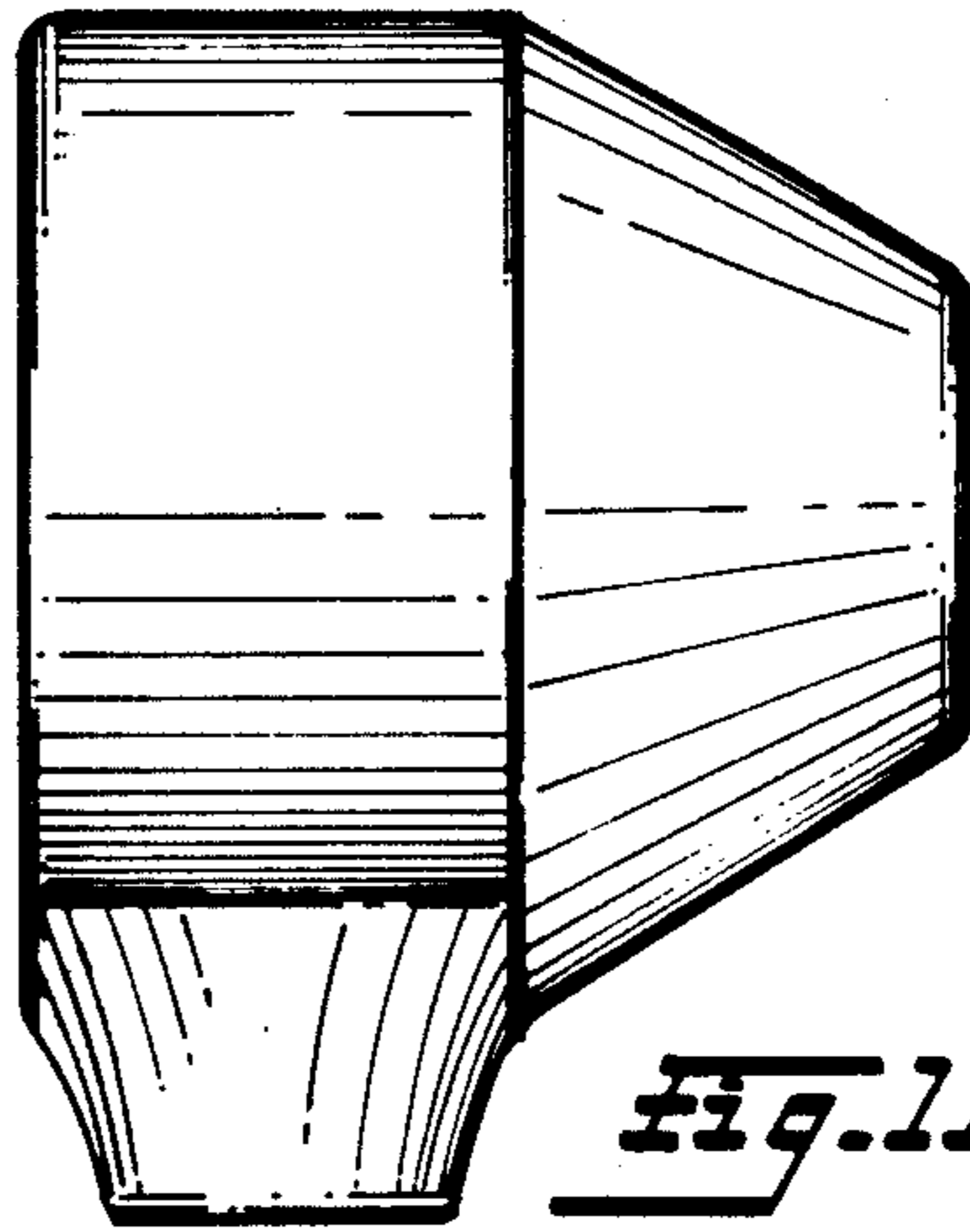
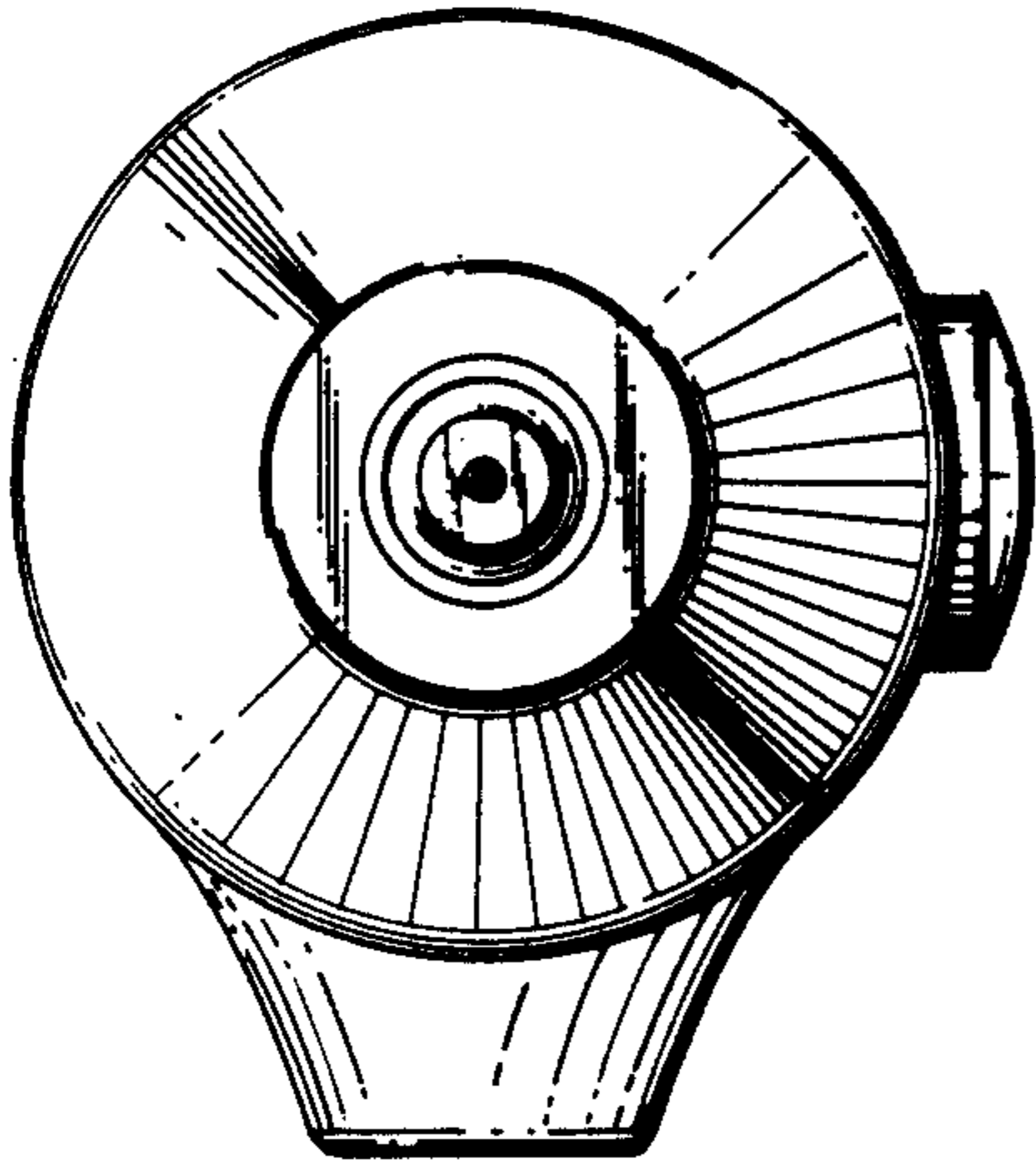


Fig. 11

Fig. 9

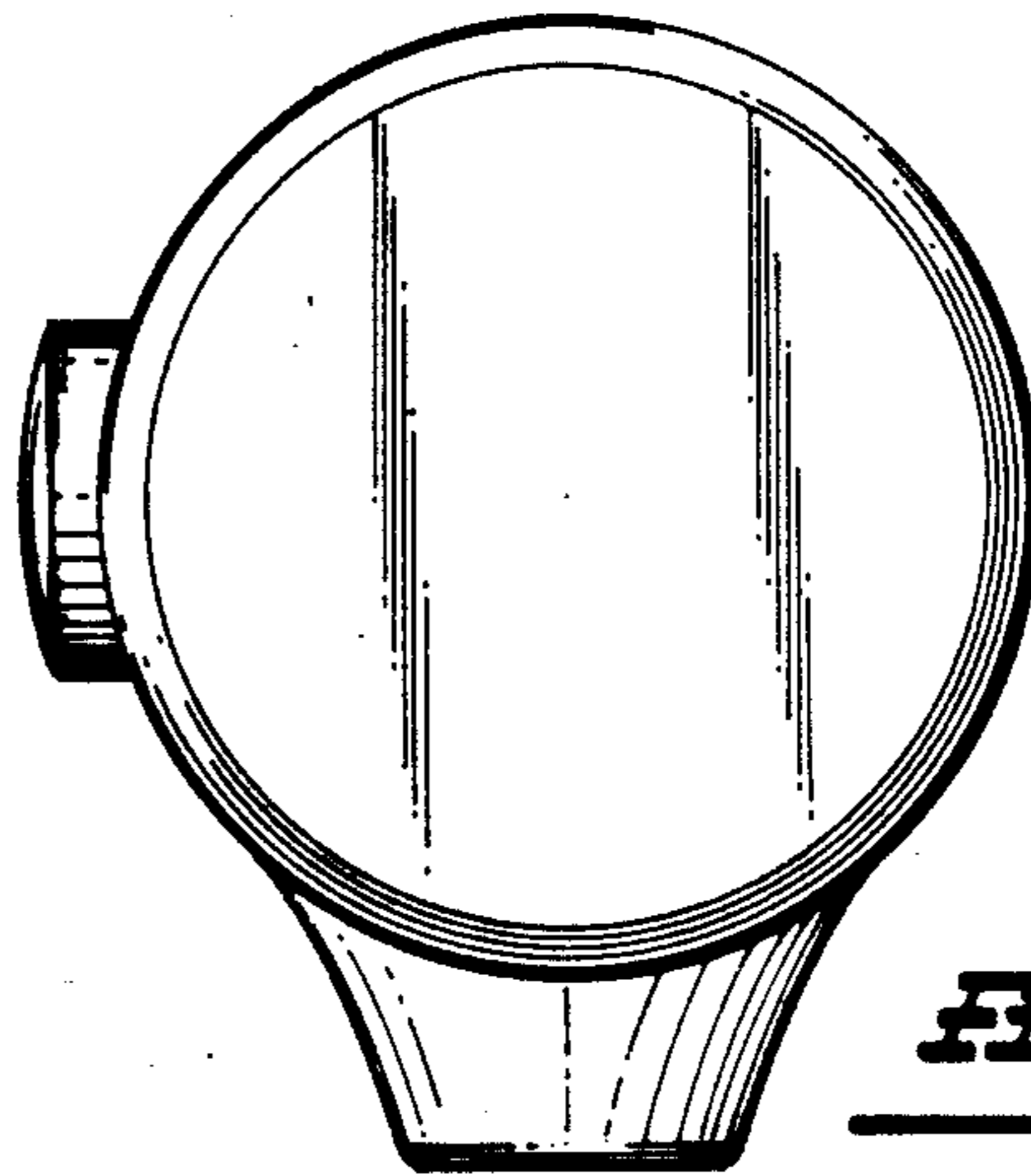
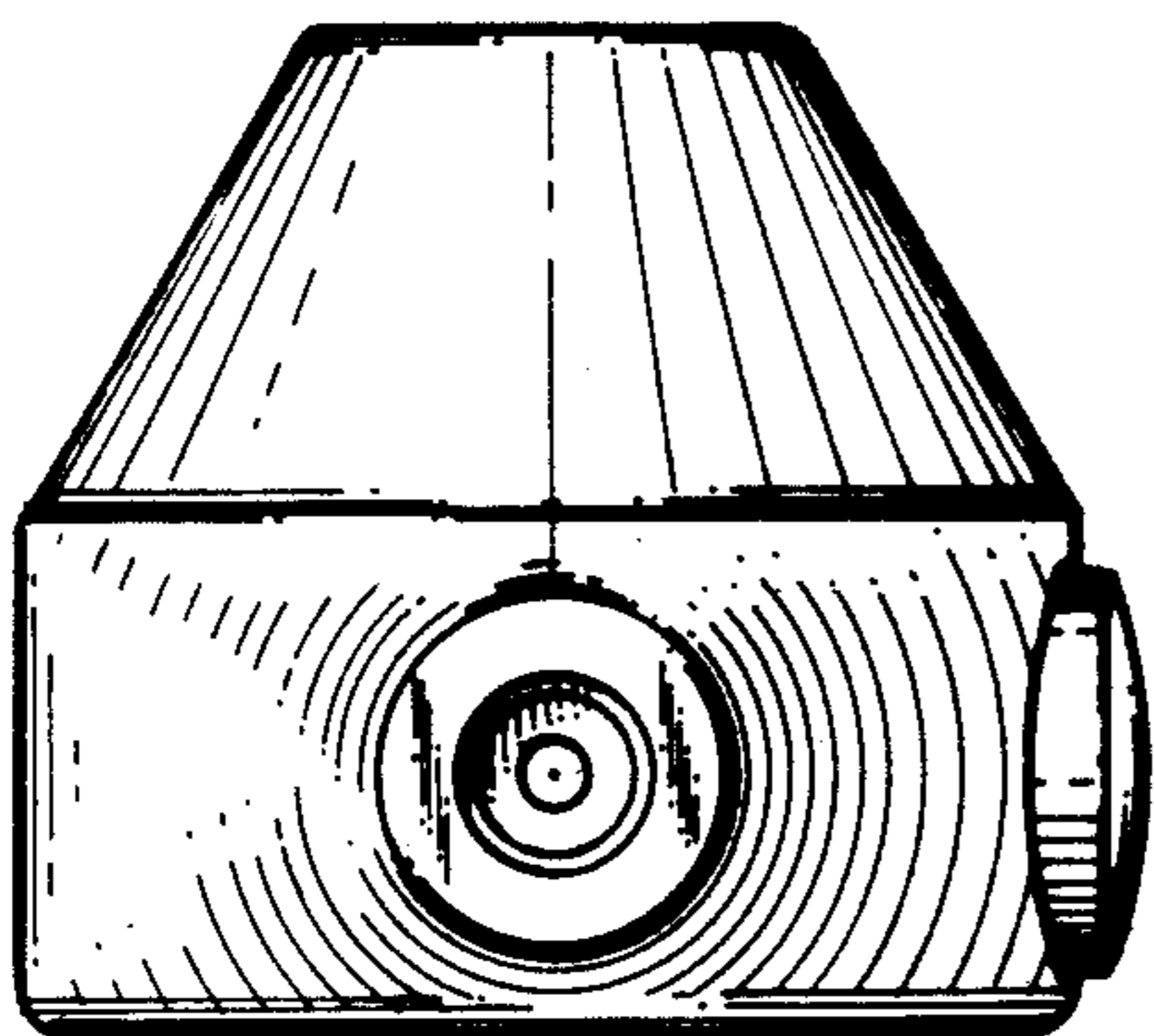


Fig. 12