

[54] DOUBLE SIGN HOLDER BRACKET

[75] Inventor: Saemund Stenersen, Kongsvinger, Norway

[73] Assignee: Norsk Hydro a.s, Oslo, Norway

[**] Term: 14 Years

[21] Appl. No.: 850,377

[22] Filed: Nov. 10, 1977

[30] Foreign Application Priority Data

May 12, 1977 [NO] Norway 58314/77

[51] Int. Cl. D20-03

[52] U.S. Cl. D20/43

[58] Field of Search D20/10, 40, 41, 42, D20/43, 44; D8/354, 363, 349, 380, 381, 394, 396, 361; D25/73, 74, 75; 40/10 R, 618, 620, 622, 606-608; 248/295 R, 295 A, 125, 243, 244, 73, 224

[56] References Cited

U.S. PATENT DOCUMENTS

1,219,596 3/1917 Simmons 40/606 X

1,238,976 9/1917 Zika 40/607

FOREIGN PATENT DOCUMENTS

2020383 11/1971 Fed. Rep. of Germany 40/10 R

Primary Examiner—Wallace R. Burke
Assistant Examiner—Catherine Kemper
Attorney, Agent, or Firm—John E. Lind

[57] CLAIM

The ornamental design for double sign holder bracket, substantially as shown and described.

DESCRIPTION

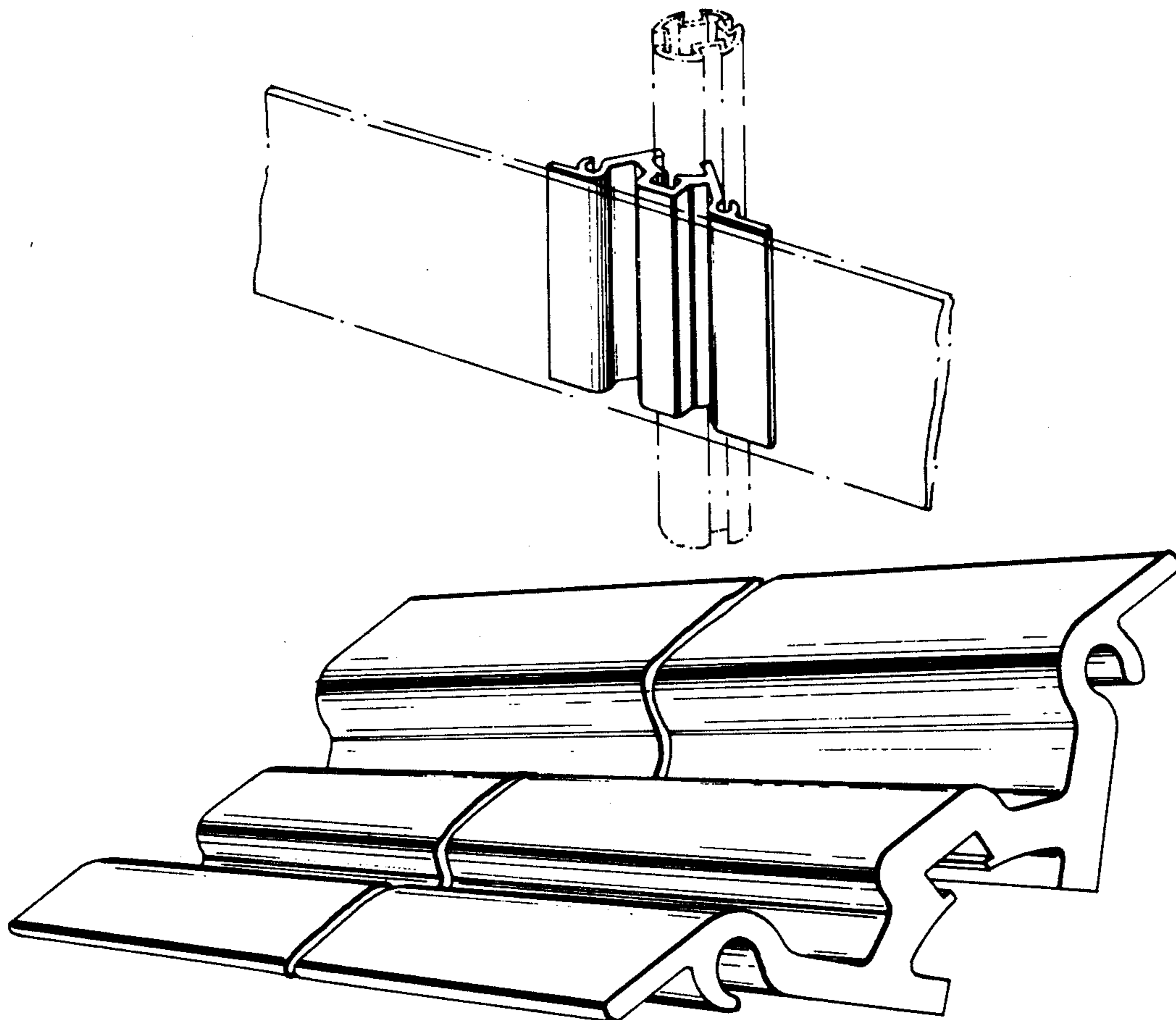
FIG. 1 is a perspective view of a double sign holder bracket, showing my new design;

FIG. 2 is an end elevational view thereof, shown on a smaller scale;

FIG. 3 is an elevational view of the opposite end thereof;

FIG. 4 is a perspective view thereof, shown on a smaller scale.

The bracket is shown fragmentarily in FIG. 1 to indicate indeterminate length. The sign and signpost are shown in broken lines in FIGS. 3 and 4 for illustrative purposes only and form no part of the claimed design.



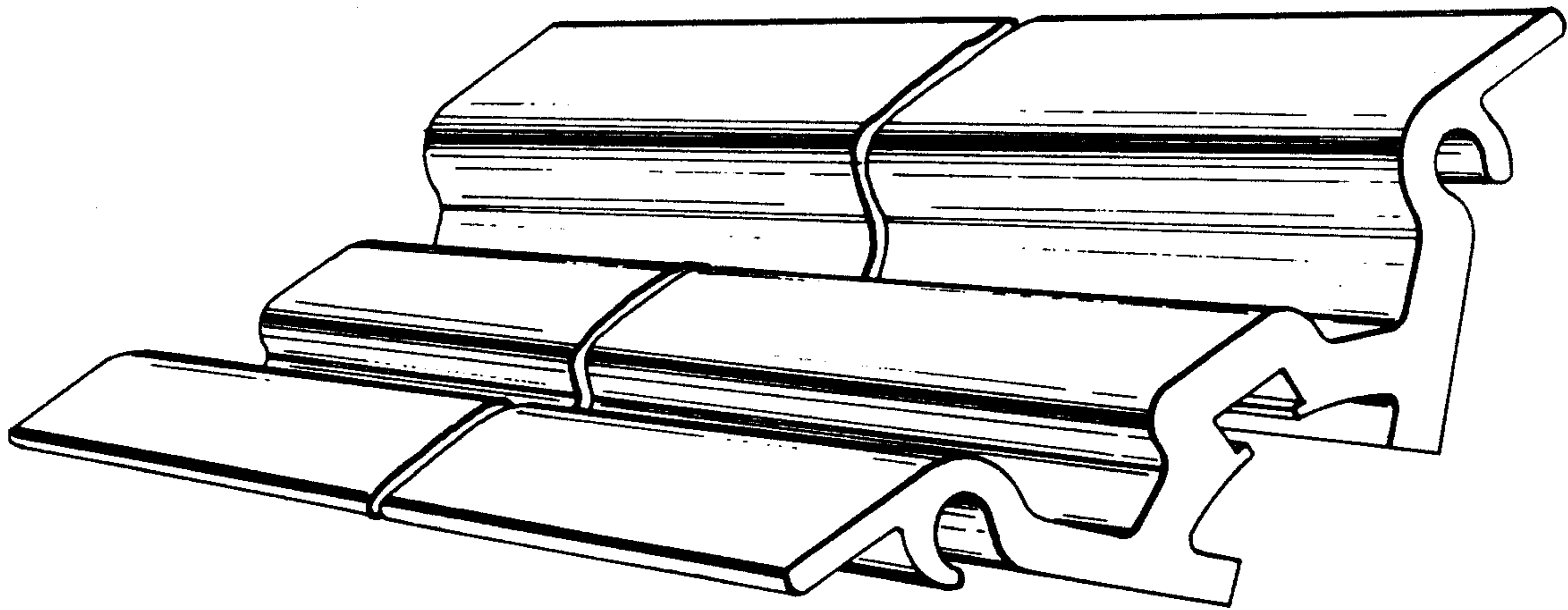


FIG. 1

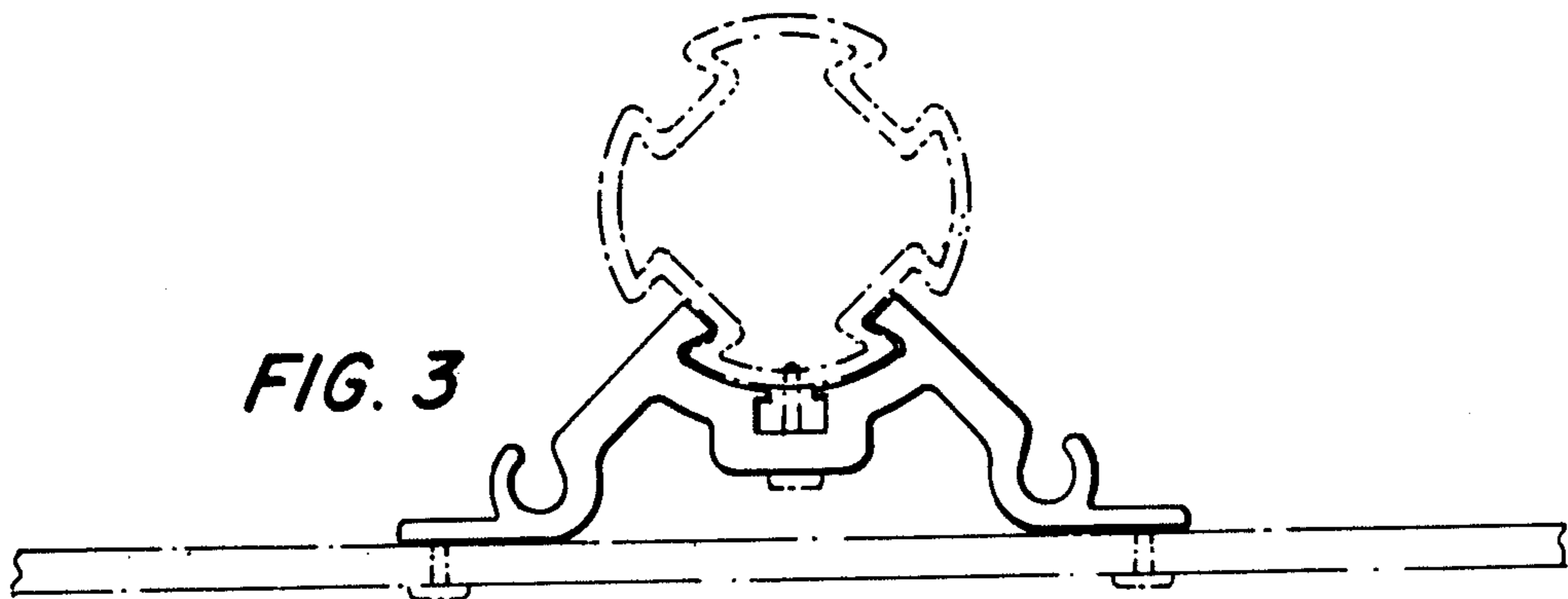


FIG. 3

FIG. 2

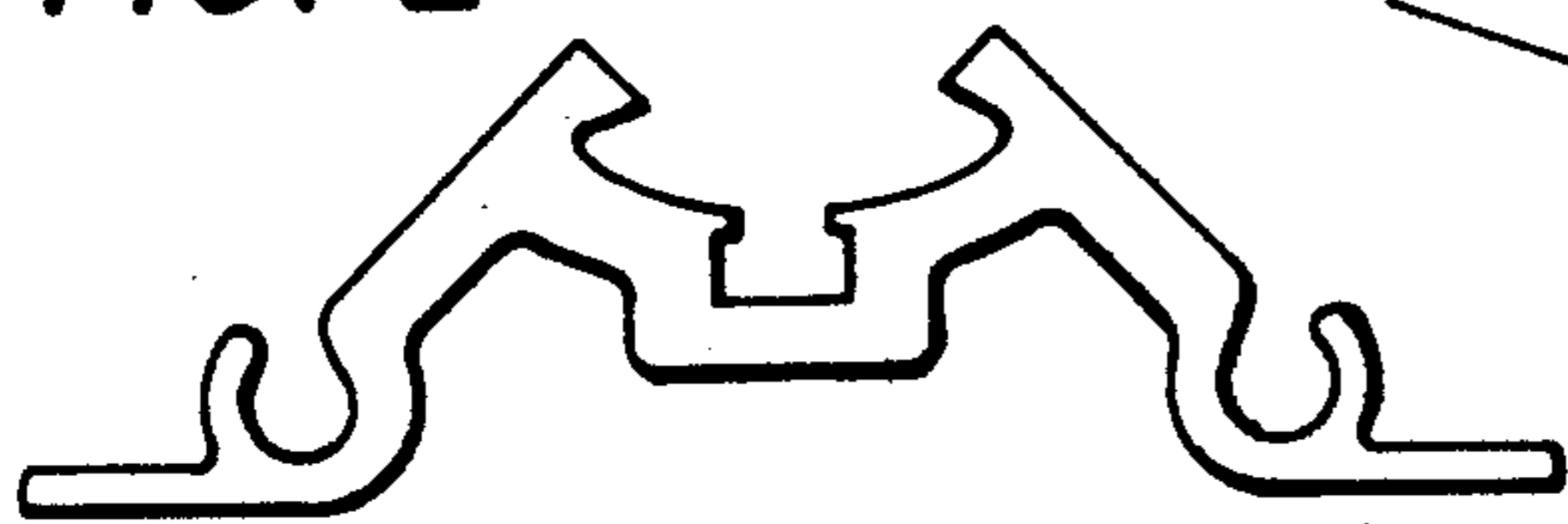


FIG. 4

