

[54] SINGLE SIGN HOLDER BRACKET

[75] Inventor: Saemund Stenersen, Kongsvinger, Norway

[73] Assignee: Norsk Hydro a.s, Oslo, Norway

[**] Term: 14 Years

[21] Appl. No.: 850,376

[22] Filed: Nov. 10, 1977

[30] Foreign Application Priority Data

Apr. 12, 1977 [NO] Norway 58314/77

[51] Int. Cl. D20-03

[52] U.S. Cl. D20/43

[58] Field of Search D20/10, 40, 41, 42, D20/43, 44; D8/354, 363, 349, 380, 381, 394, 396, 361; D25/73, 74, 75; 40/10 R, 618, 620, 622, 606, 607, 608; 248/295 R, 295 A, 125, 243, 244, 224, 73

[56] References Cited

U.S. PATENT DOCUMENTS

3,322,381 5/1967 Bubb 40/10 R X
3,525,493 8/1970 Chrietzberg et al. 40/606 X

3,552,702 1/1971 Springer 40/607 X

FOREIGN PATENT DOCUMENTS

2020383 11/1971 Fed. Rep. of Germany 40/10 R

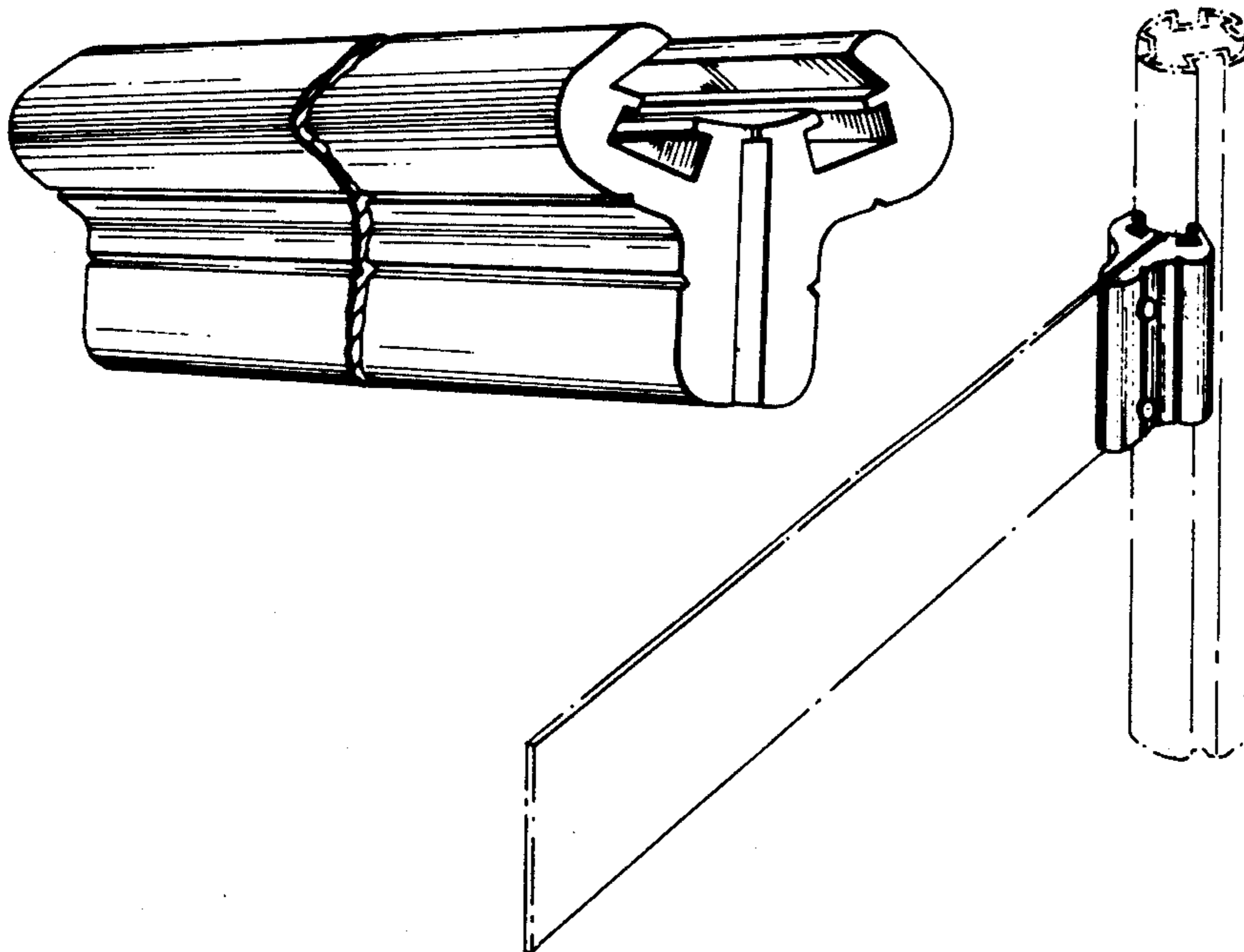
Primary Examiner—Wallace R. Burke
Assistant Examiner—Catherine Kemper
Attorney, Agent, or Firm—John E. Lind

[57] CLAIM

The ornamental design for a single sign holder bracket, substantially as shown and described.

DESCRIPTION

FIG. 1 is a perspective view of a single sign holder bracket, showing my new design;
FIG. 2 is an end elevational view thereof, shown on a smaller scale;
FIG. 3 is an elevational view of the opposite end thereof;
FIG. 4 is a perspective view taken from the side opposite that shown in FIG. 1.
The bracket is shown fragmentarily in FIG. 1 to indicate indeterminate length. The sign and signpost are shown in broken lines in FIGS. 3 and 4 for illustrative purposes only and form no part of the claimed design.



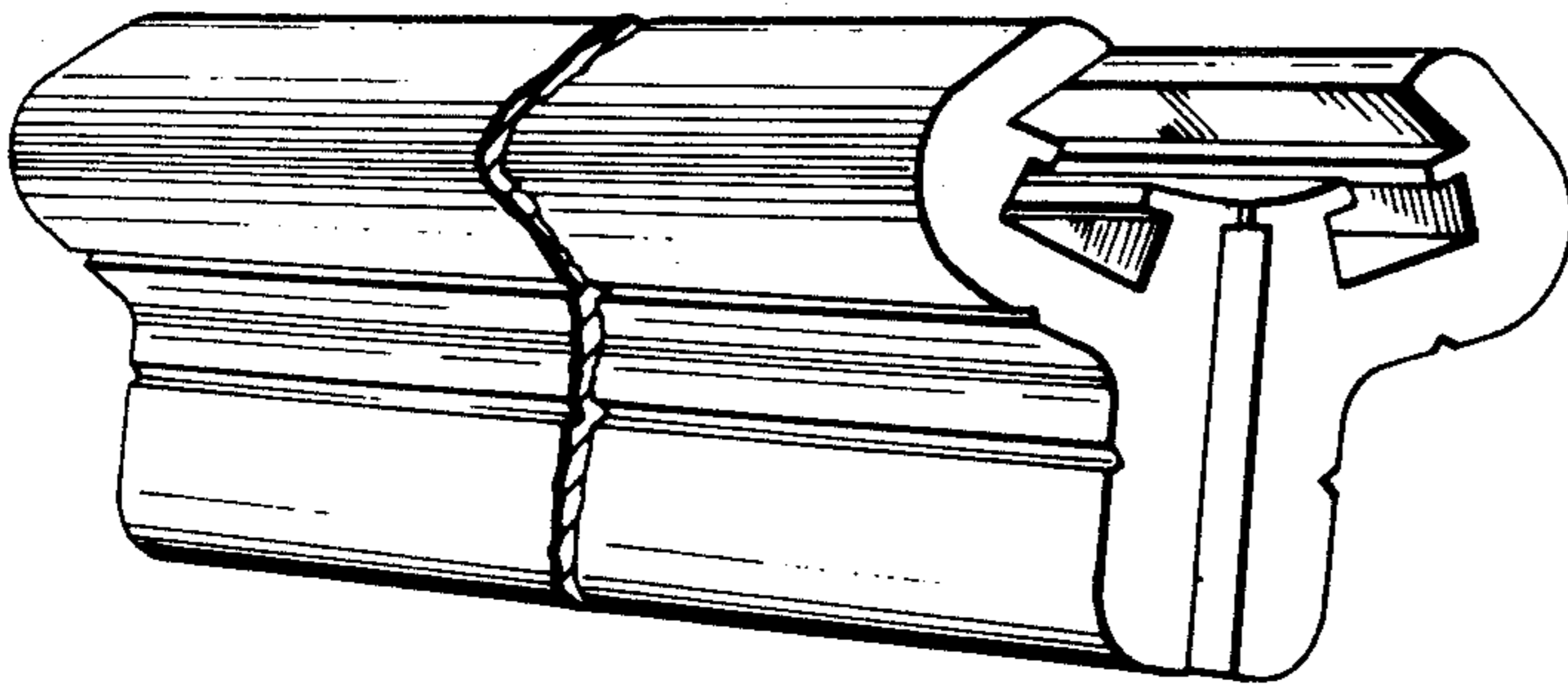


FIG. 1

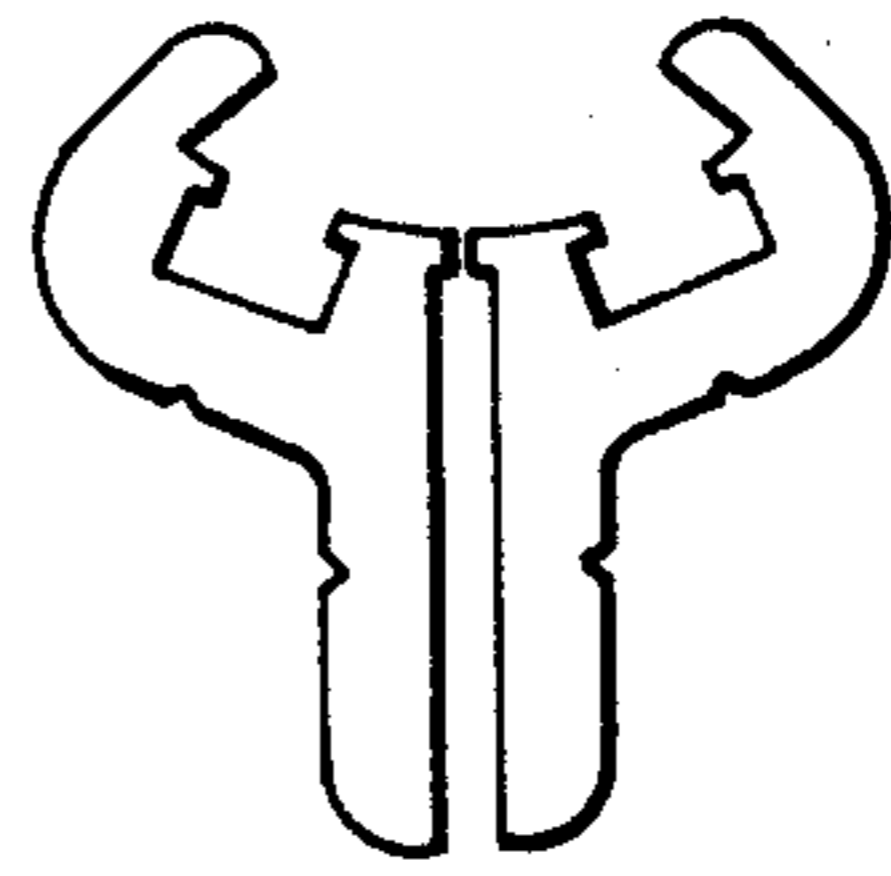


FIG. 2

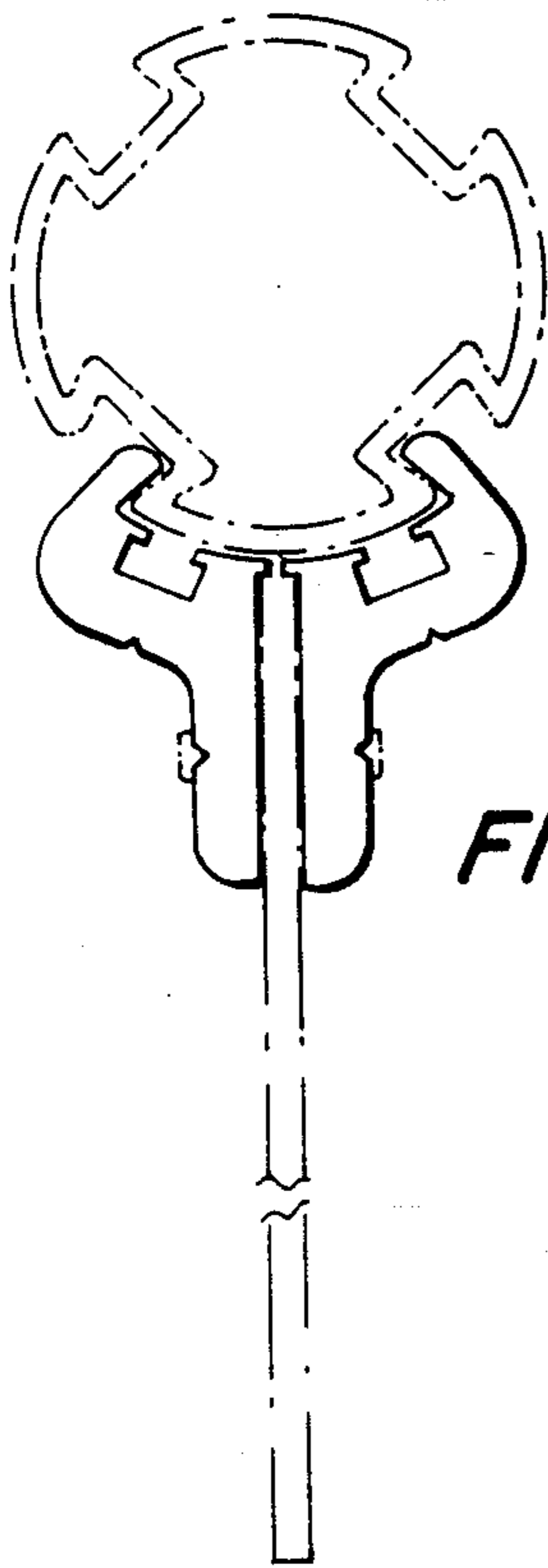


FIG. 3

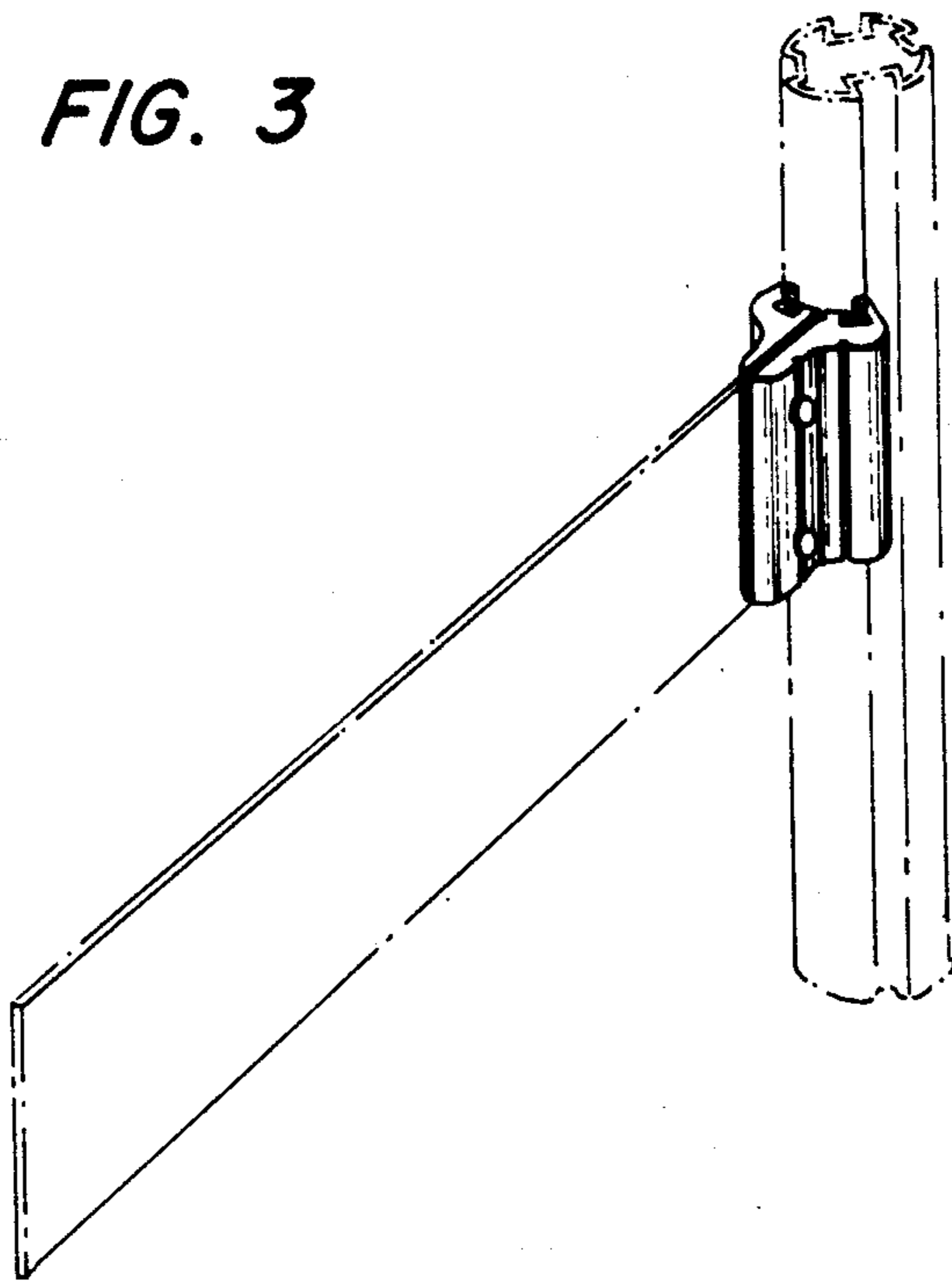


FIG. 4