

[54] REVOLVING WIRE TUMBLER FOR REMOVING FLASH FROM PLASTIC MOLDED PARTS

[76] Inventor: Henry J. Andrykovitz, 427 Hory St., Roselle, N.J. 07203

[\*\*] Term: 14 Years

[21] Appl. No.: 808,241

[22] Filed: Jun. 20, 1977

[51] Int. Cl. .... D15-09

[52] U.S. Cl. .... D15/124

[58] Field of Search ..... D15/122, 124-136, D15/138-140, 144-146, 199; 51/163.1, 164.1

[56] References Cited

U.S. PATENT DOCUMENTS

D. 186,627	11/1959	Romine .....	D15/124
2,809,473	10/1957	Heaphy .....	51/164.1
3,154,425	10/1964	Katz et al. ....	51/164.1
3,909,988	10/1975	Kerwin et al. ....	51/163.1

Primary Examiner—Wallace R. Burke  
Assistant Examiner—B. J. Bullock  
Attorney, Agent, or Firm—Martha G. Pugh

[57] CLAIM

The ornamental design for a revolving wire tumbler for removing flash from plastic molded parts, as shown and described.

DESCRIPTION

FIG. 1 is a reduced isometric view of a revolving wire tumbler for removing flash from plastic molded parts showing my new design, taken from the front.

FIG. 2 is an isometric side view of the revolving wire tumbler of the present invention, the view from the other side being substantially a mirror image. The supply chute and motor are shown in phantom for illustrative purposes only, and are not part of my invention.

FIG. 3 is a fragmentary view of the wire tumbler of FIG. 1, looking in from the rear.

FIG. 4 is an enlarged fragment of the wire tumbler of FIG. 1, looking up from below, showing one of the wire baffles in detail.

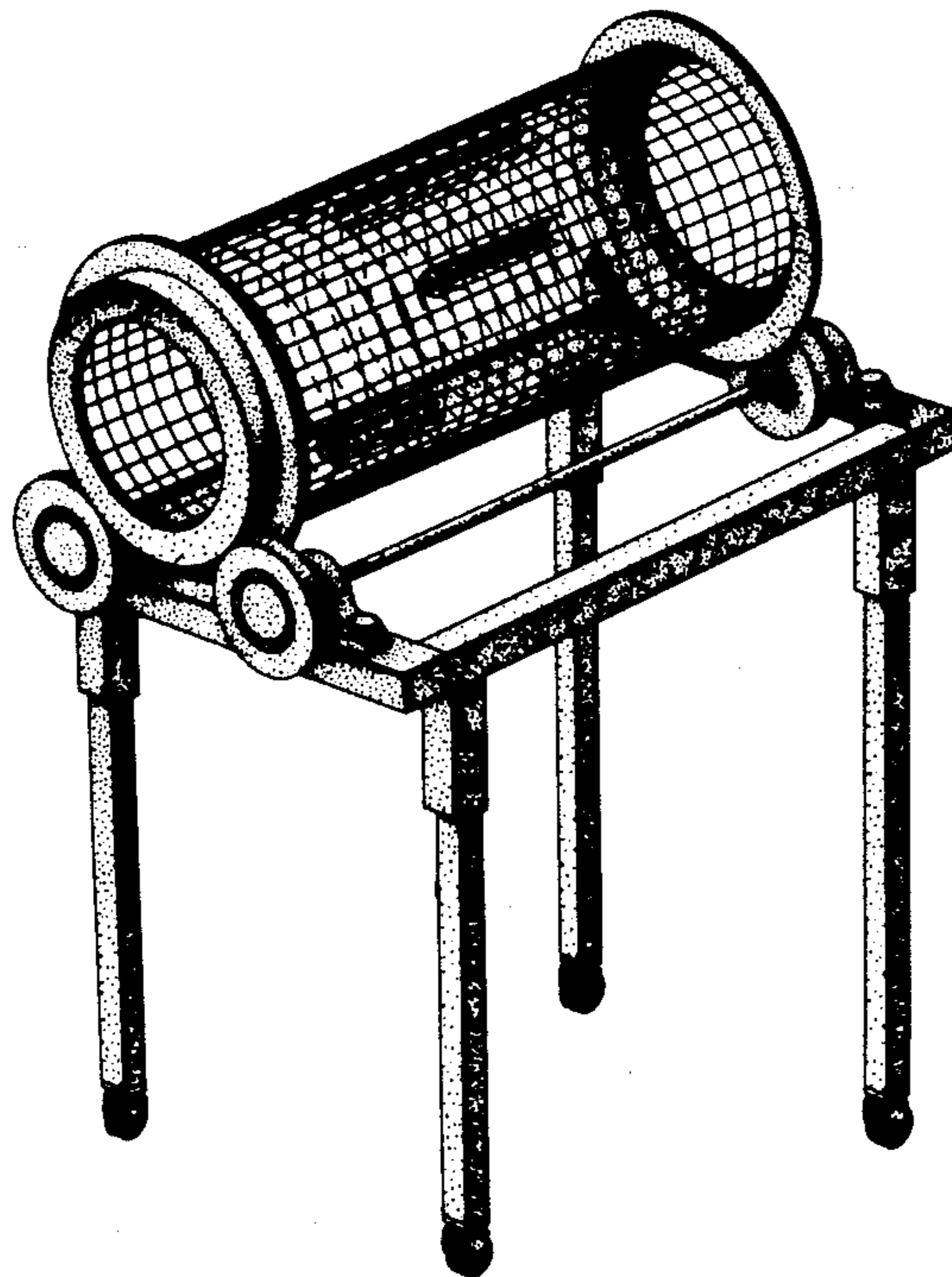


FIG. 1

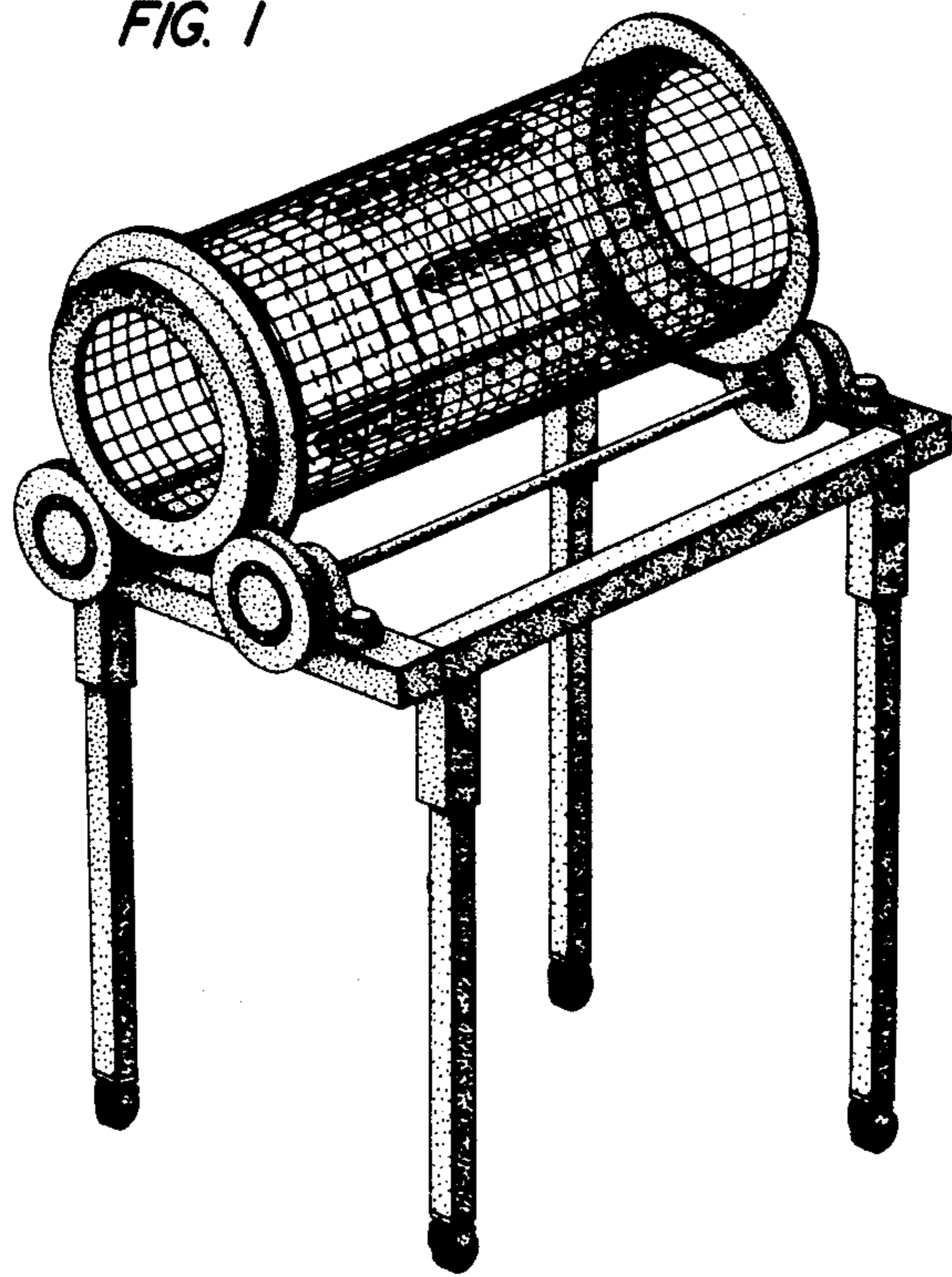
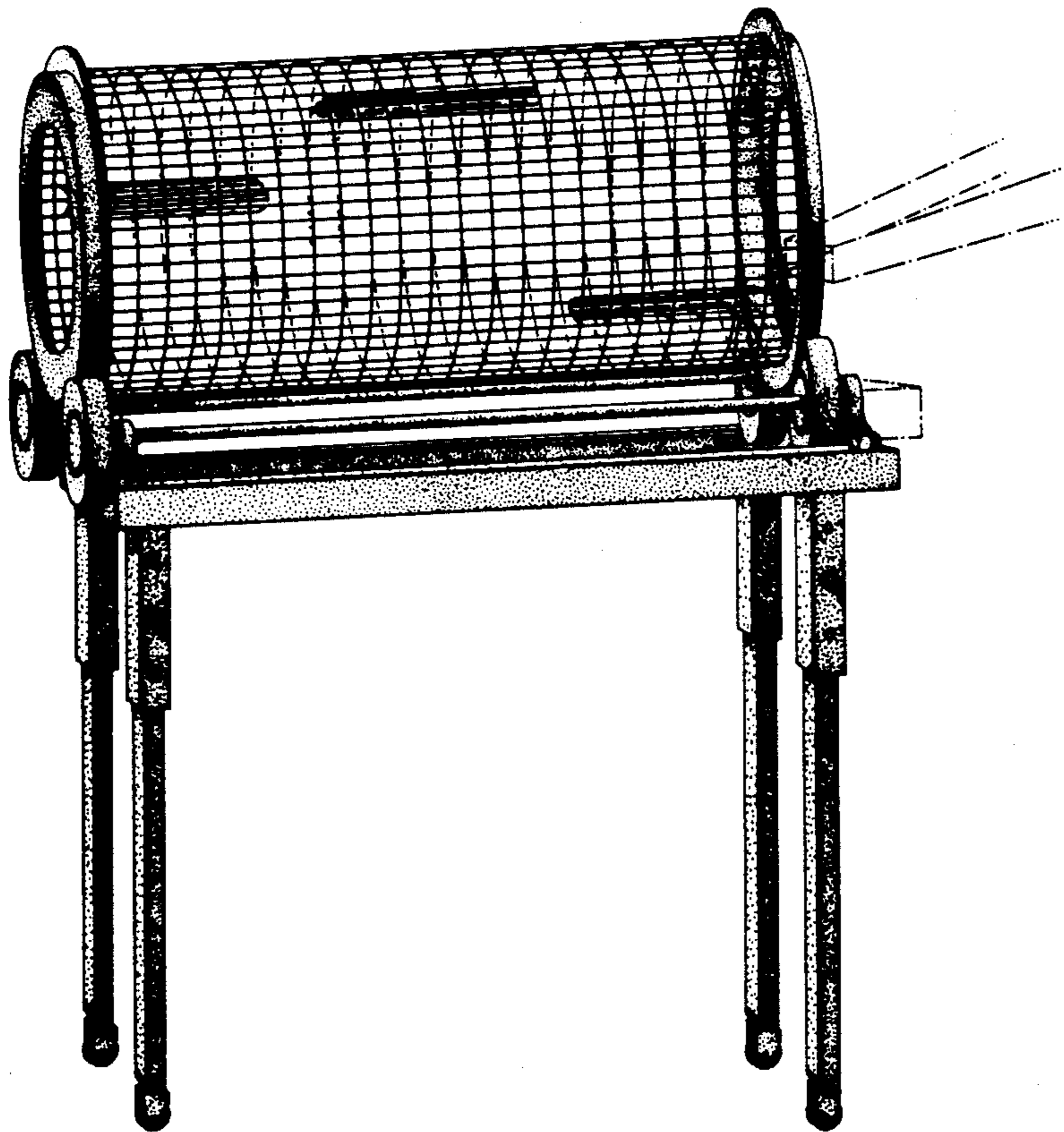


FIG. 2



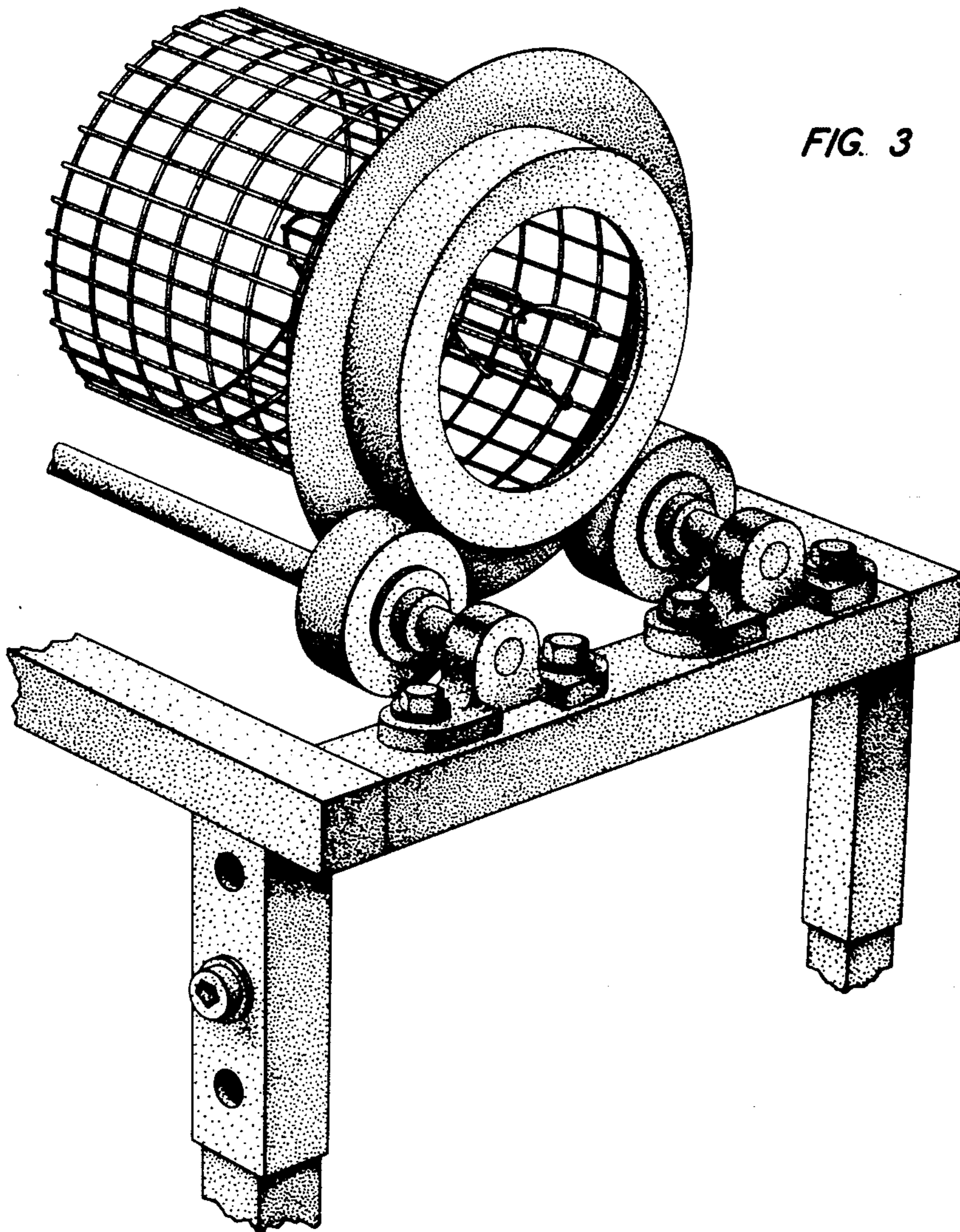


FIG. 3

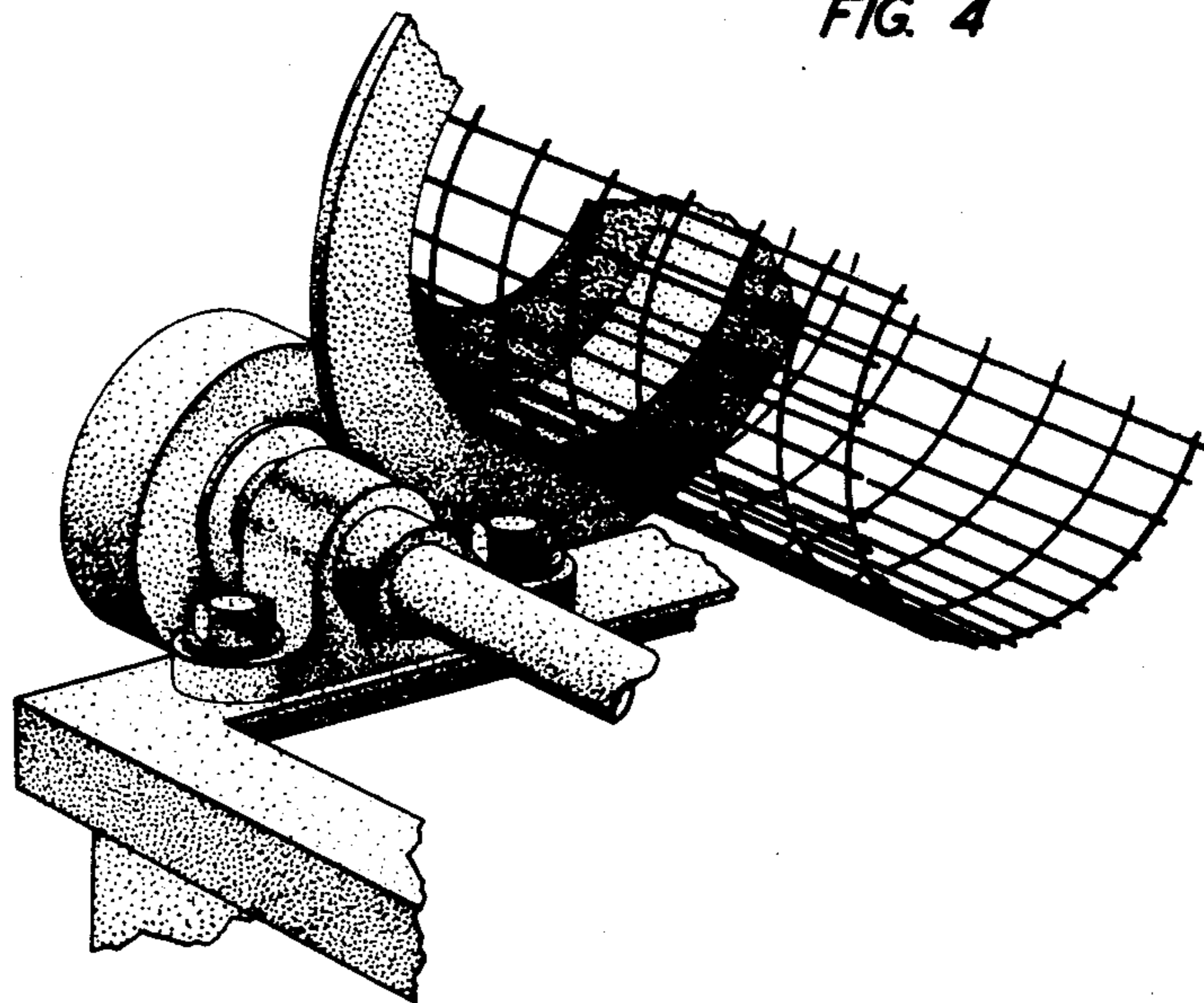


FIG. 4