

[54] HINGE MOUNTING FOR HIGH VOLTAGE OFF USE

[75] Inventors: David M. Evans, Palatine; Henry W. Scherer, Mount Prospect, both of Ill.

[73] Assignee: S & C Electric Company, Chicago, Ill.

[**] Term: 14 Years

[21] Appl. No.: 837,246

[22] Filed: Sep. 27, 1977

[51] Int. Cl. D13-03

[52] U.S. Cl. D13/35

[58] Field of Search D13/35, 40, 99; 337/187, 188, 158, 159, 160, 162, 168, 180, 186, 190, 191

[56] References Cited

U.S. PATENT DOCUMENTS

3,444,497 5/1969 Charbonneau 337/188
3,594,676 7/1971 Misare 337/180

FOREIGN PATENT DOCUMENTS

76249 9/1954 Netherlands 337/180

Primary Examiner—Susan J. Lucas
Attorney, Agent, or Firm—John D. Kaufmann

[57] CLAIM

The ornamental design for a hinge mounting for a high voltage fuse, substantially as shown and described.

DESCRIPTION

FIG. 1 is a perspective view of a preferred embodiment of a hinge mounting for a high-voltage fuse according to the invention;

FIG. 2 is front elevational view of the hinge mounting of FIG. 1 on an enlarged scale;

FIG. 3 is a side elevational view of the hinge mounting of FIG. 1 on an enlarged scale;

FIG. 4 is a top view of the hinge mounting of FIG. 1 on an enlarged scale;

FIG. 5 is a bottom view of the hinge mounting of FIG. 1 on an enlarged scale; and

FIG. 6 is a perspective view of an alternative embodiment of the hinge mounting according to the invention.

A bracket and a contact are shown in broken lines in the FIGURES for illustrative purpose only.

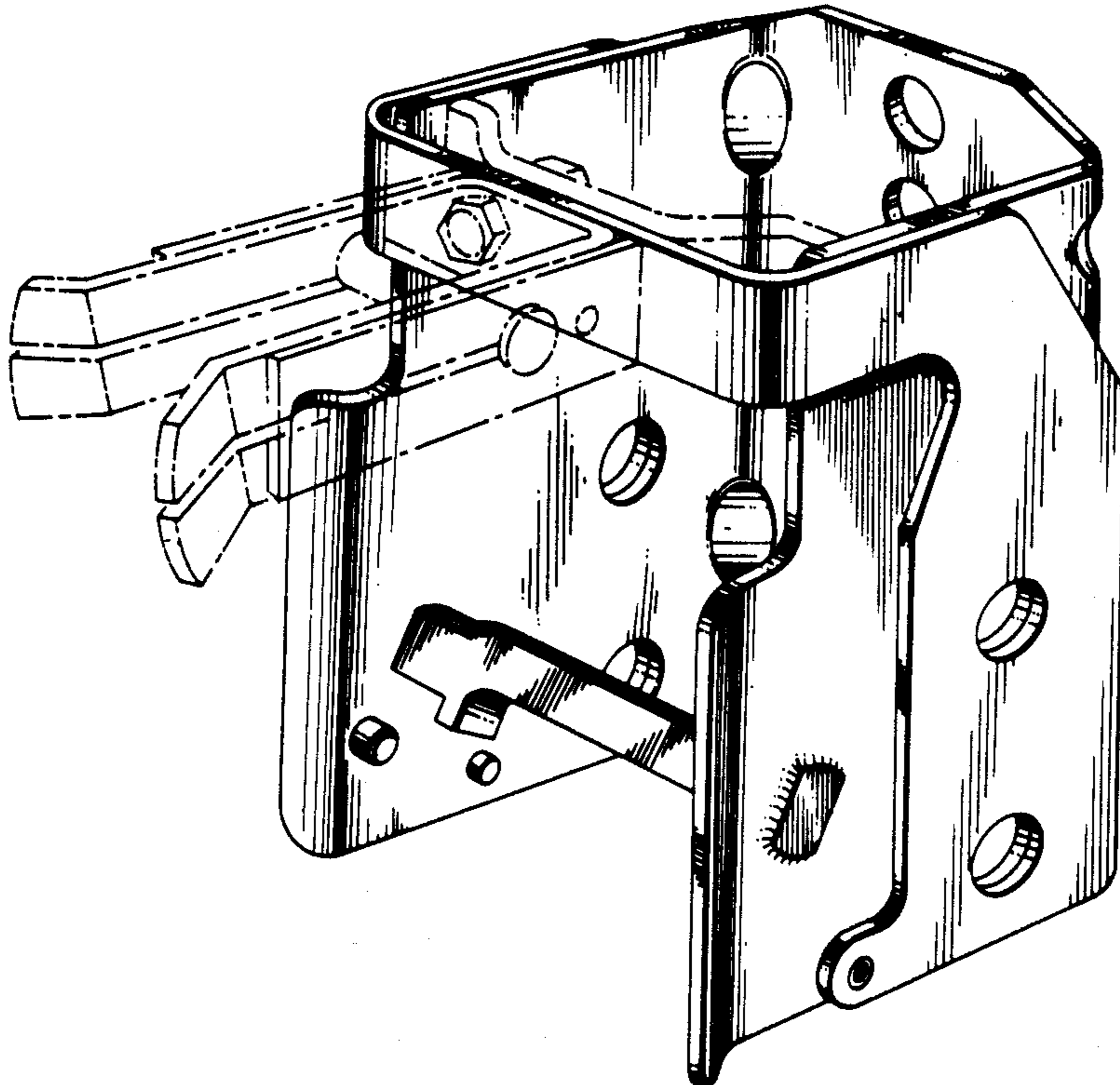


FIG. 1

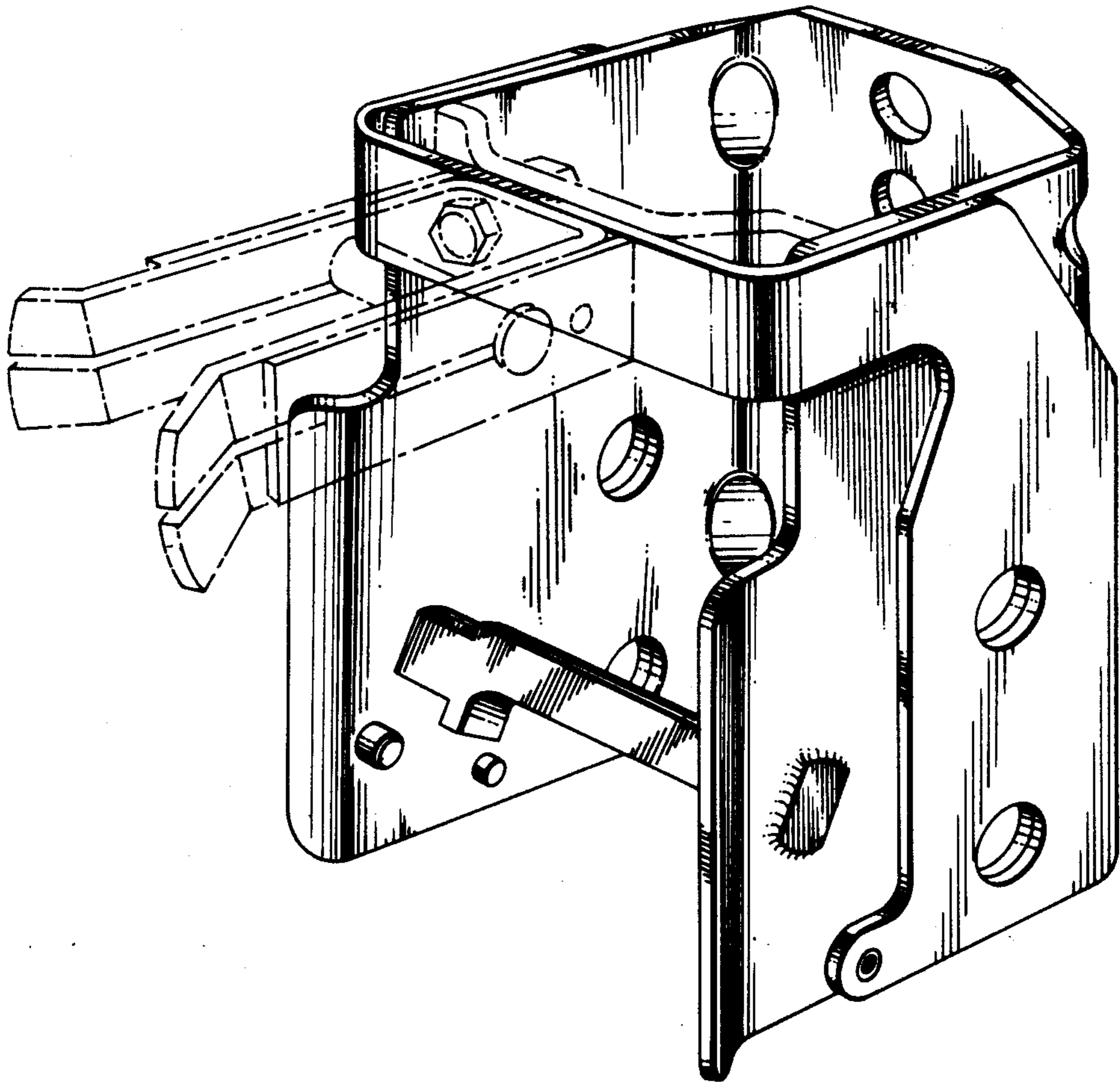


FIG-3

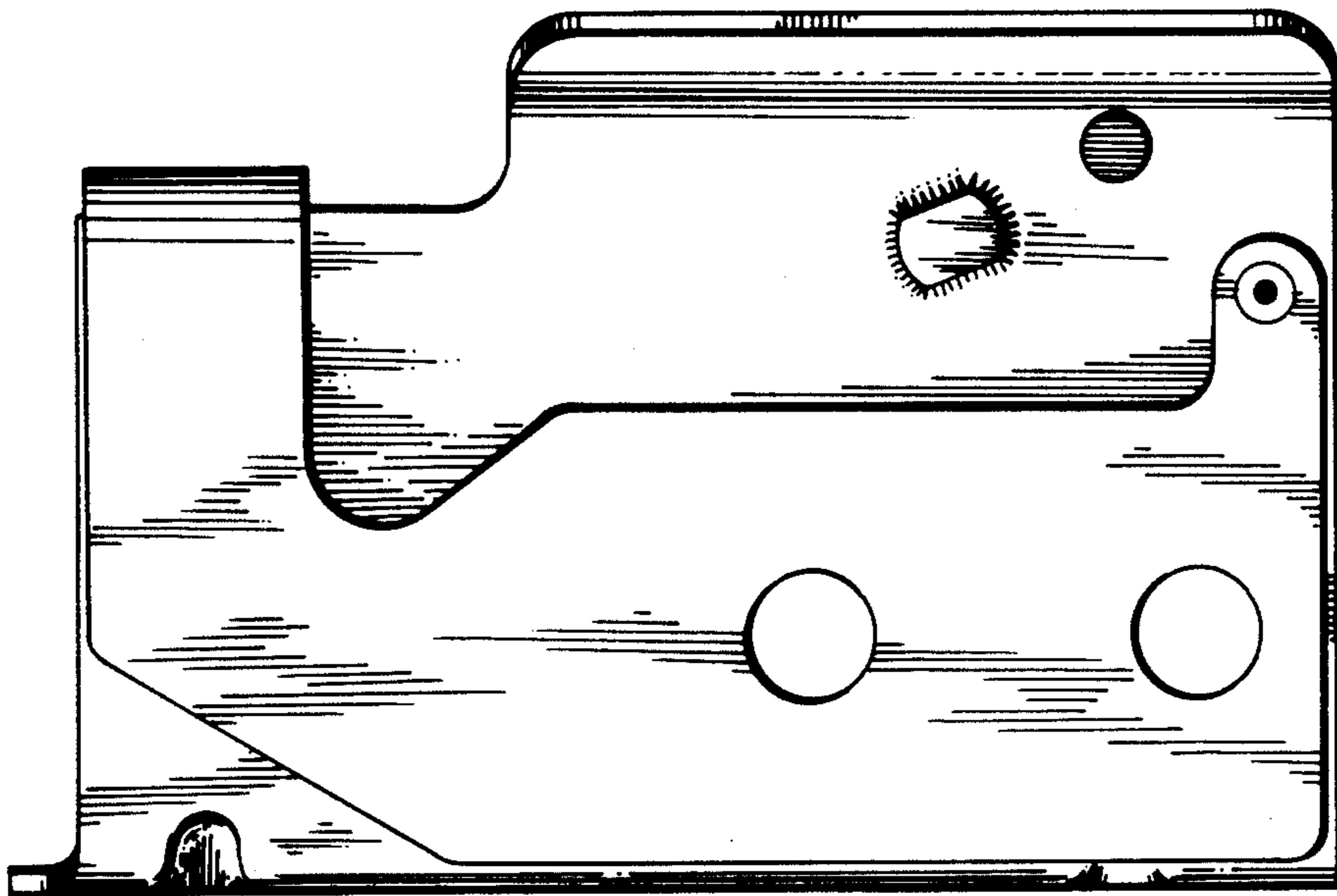


FIG-2

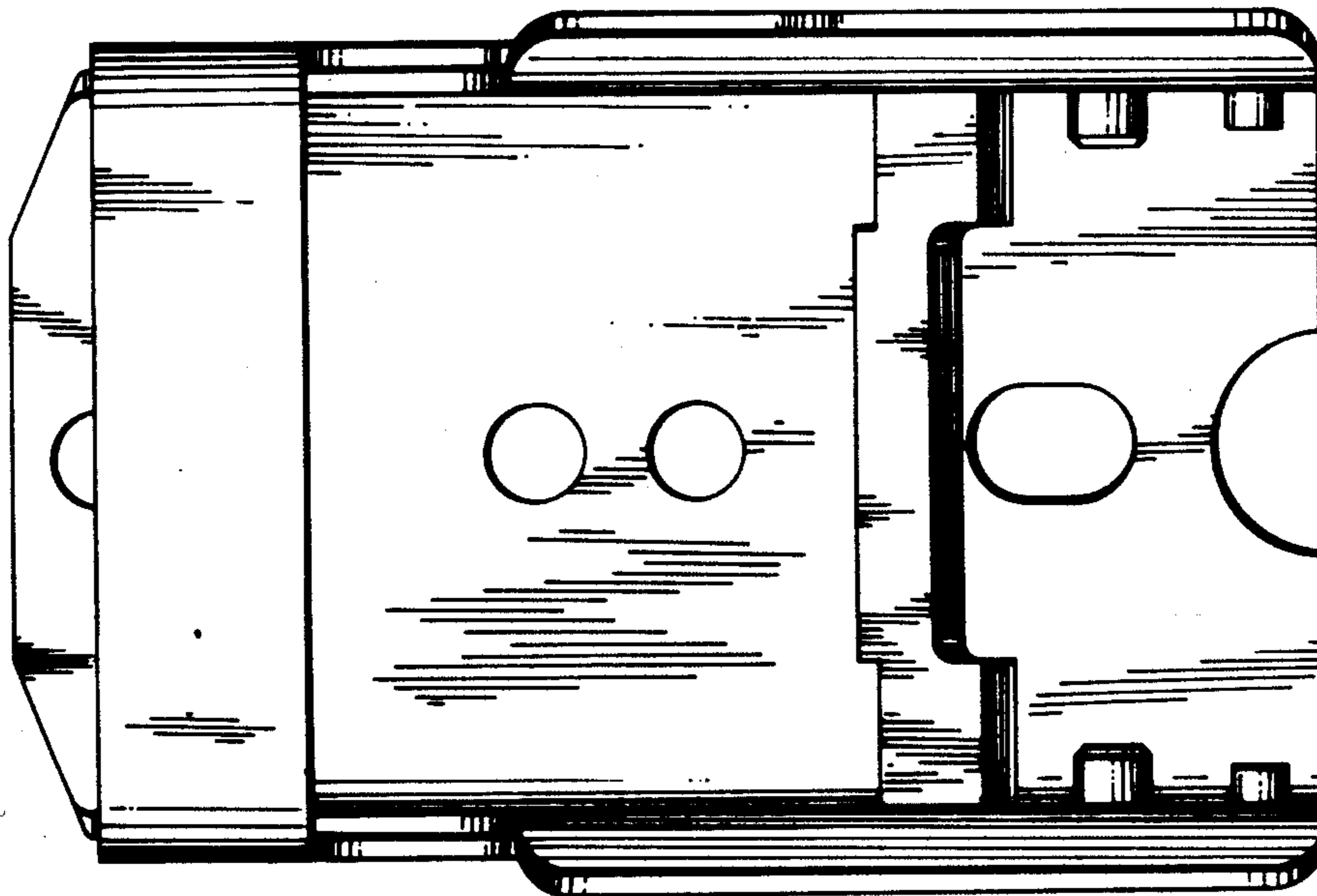


FIG. 5

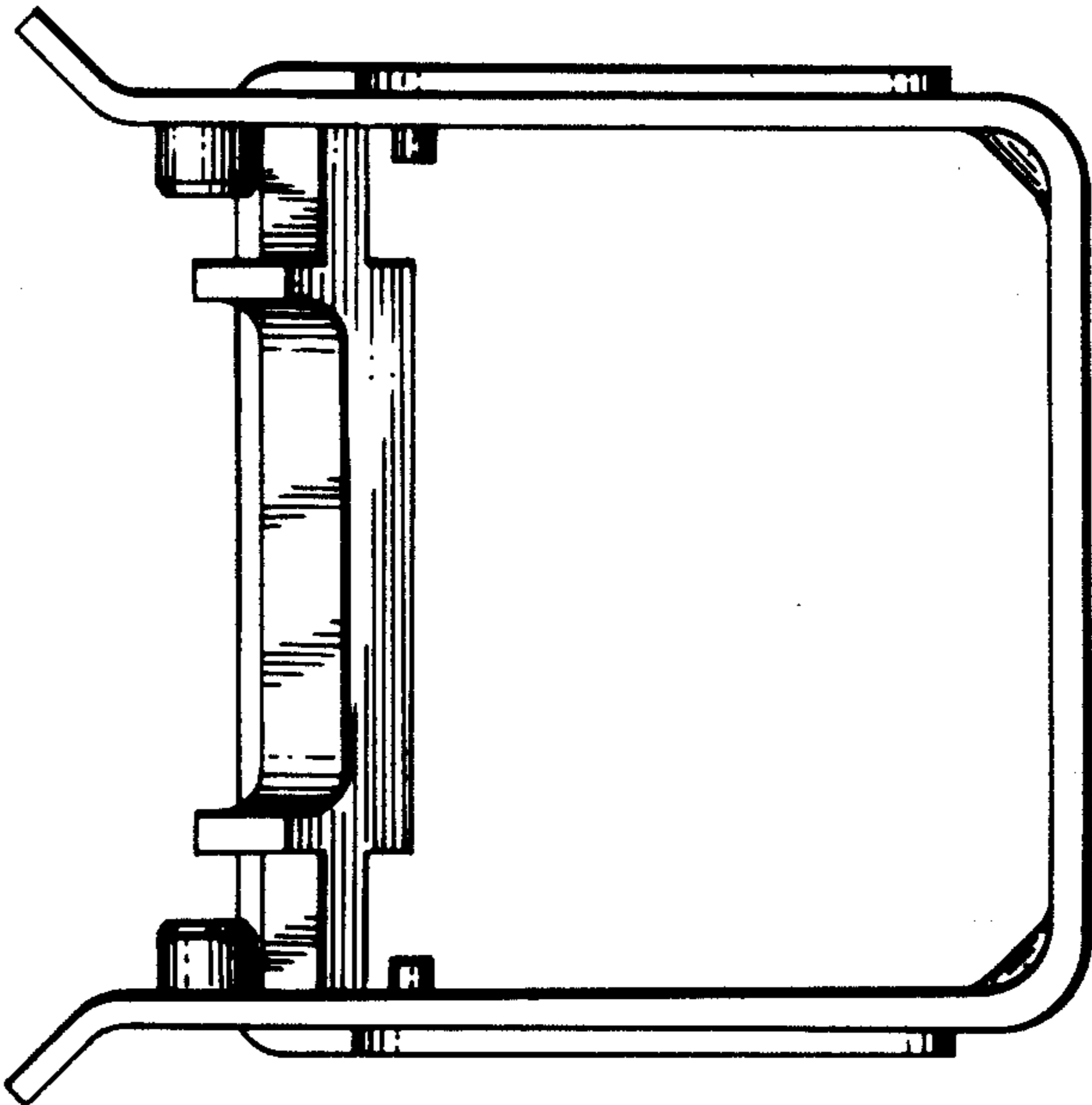


FIG. 4

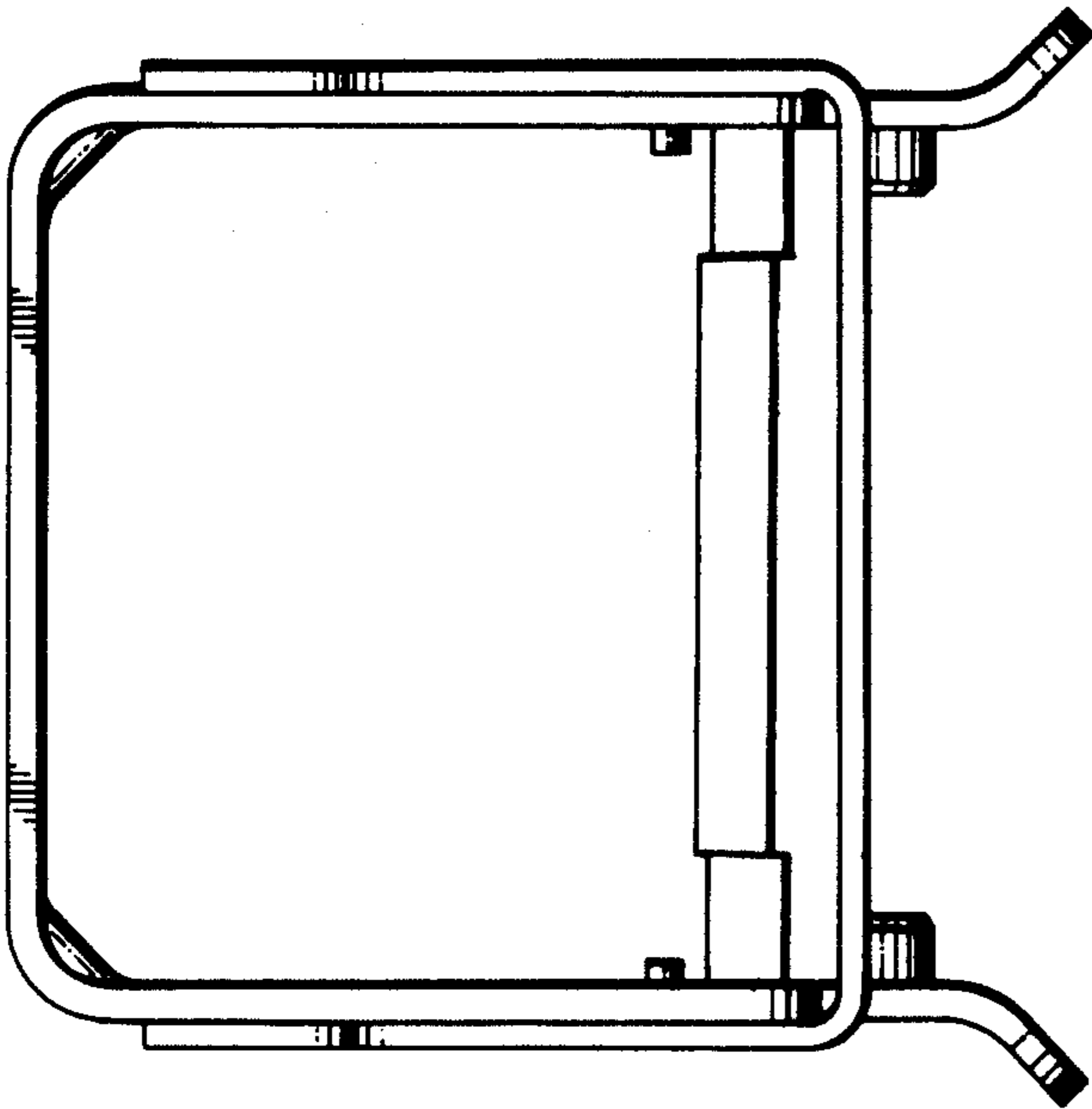


FIG. 6

