

[54] HINGE MOUNTING FOR A HIGH VOLTAGE FUSE

[75] Inventors: Bruce A. Biller, Chicago; Henry W. Scherer, Mount Prospect, both of Ill.

[73] Assignee: S & C Electric Company, Chicago, Ill.

[**] Term: 14 Years

[21] Appl. No.: 837,240

[22] Filed: Sep. 27, 1977

[51] Int. Cl. D13-03

[52] U.S. Cl. D13/35

[58] Field of Search D13/35, 40, 99; 337/187, 188, 158, 159, 160, 162, 168, 180, 186, 190, 191

[56] References Cited

U.S. PATENT DOCUMENTS

3,444,497	5/1969	Charbonneau	337/188
3,594,676	7/1970	Misare	337/180

FOREIGN PATENT DOCUMENTS

76249 10/1954 Netherlands 337/180

Primary Examiner—Susan J. Lucas
Attorney, Agent, or Firm—John D. Kaufmann

[57] CLAIM

The ornamental design for a hinge mounting for a high voltage fuse, substantially as shown and described.

DESCRIPTION

FIG. 1 is a perspective view of a preferred embodiment of a hinge mounting for a high voltage fuse according to the invention;

FIG. 2 is a front elevational view of the hinge mounting of FIG. 1;

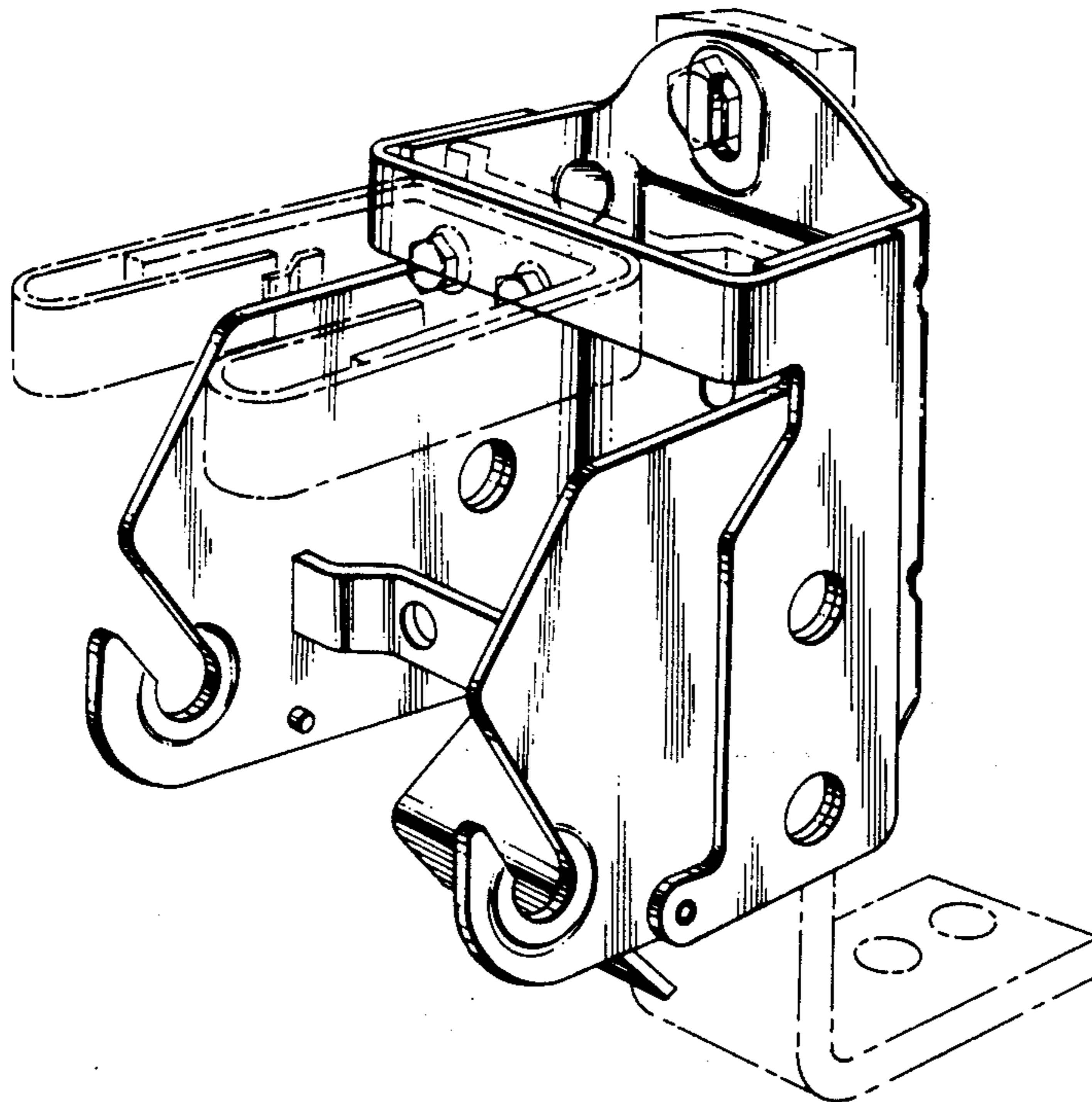
FIG. 3 is a side elevational view of the hinge mounting of FIG. 1;

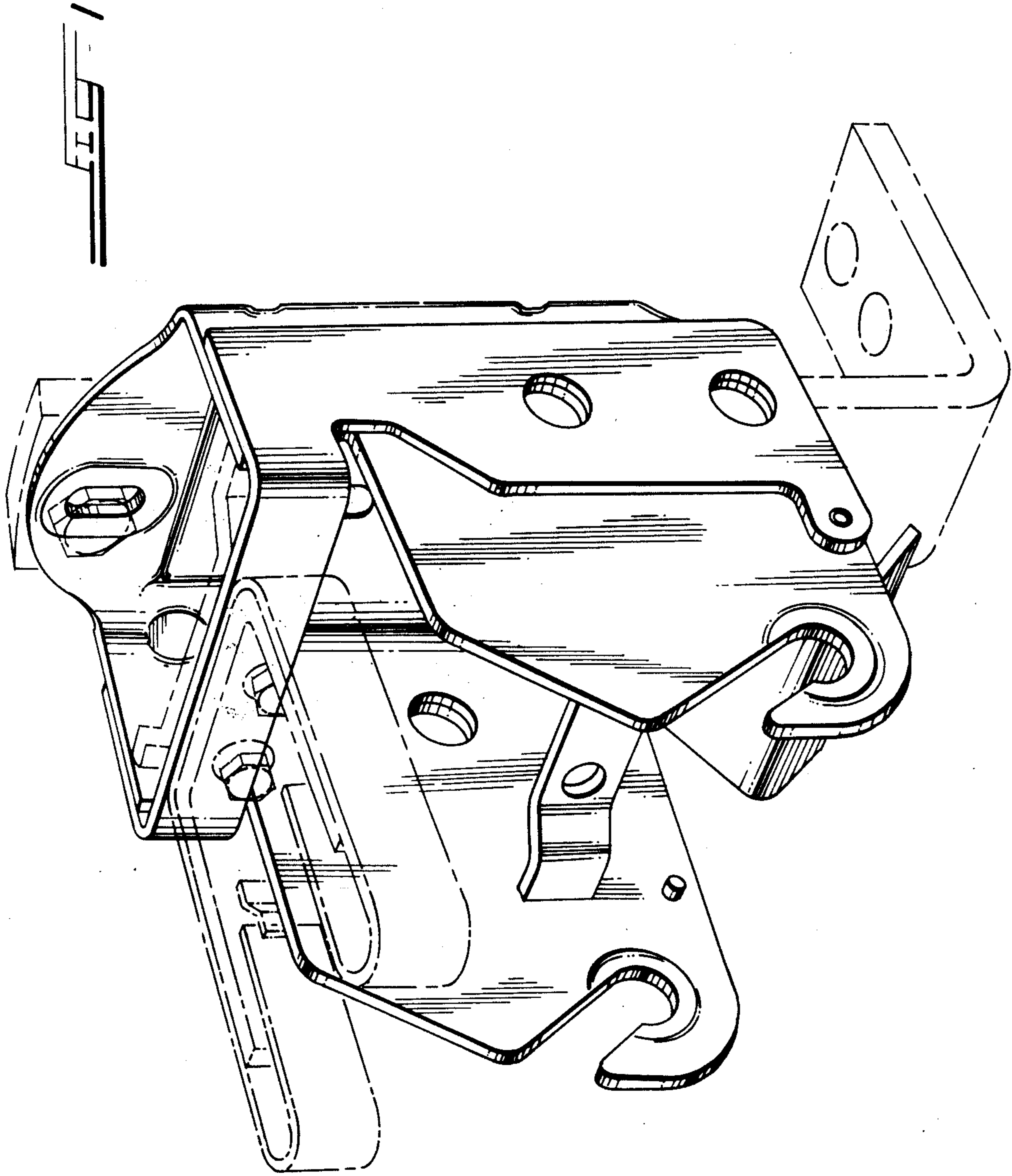
FIG. 4 is a top view of the hinge mounting of FIG. 1;

FIG. 5 is a bottom view of the hinge mounting of FIG. 1; and

FIG. 6 is a perspective view of an alternative embodiment of the mounting according to the invention.

A bracket and a contact are shown in broken lines in the Figures for illustrative purposes only.





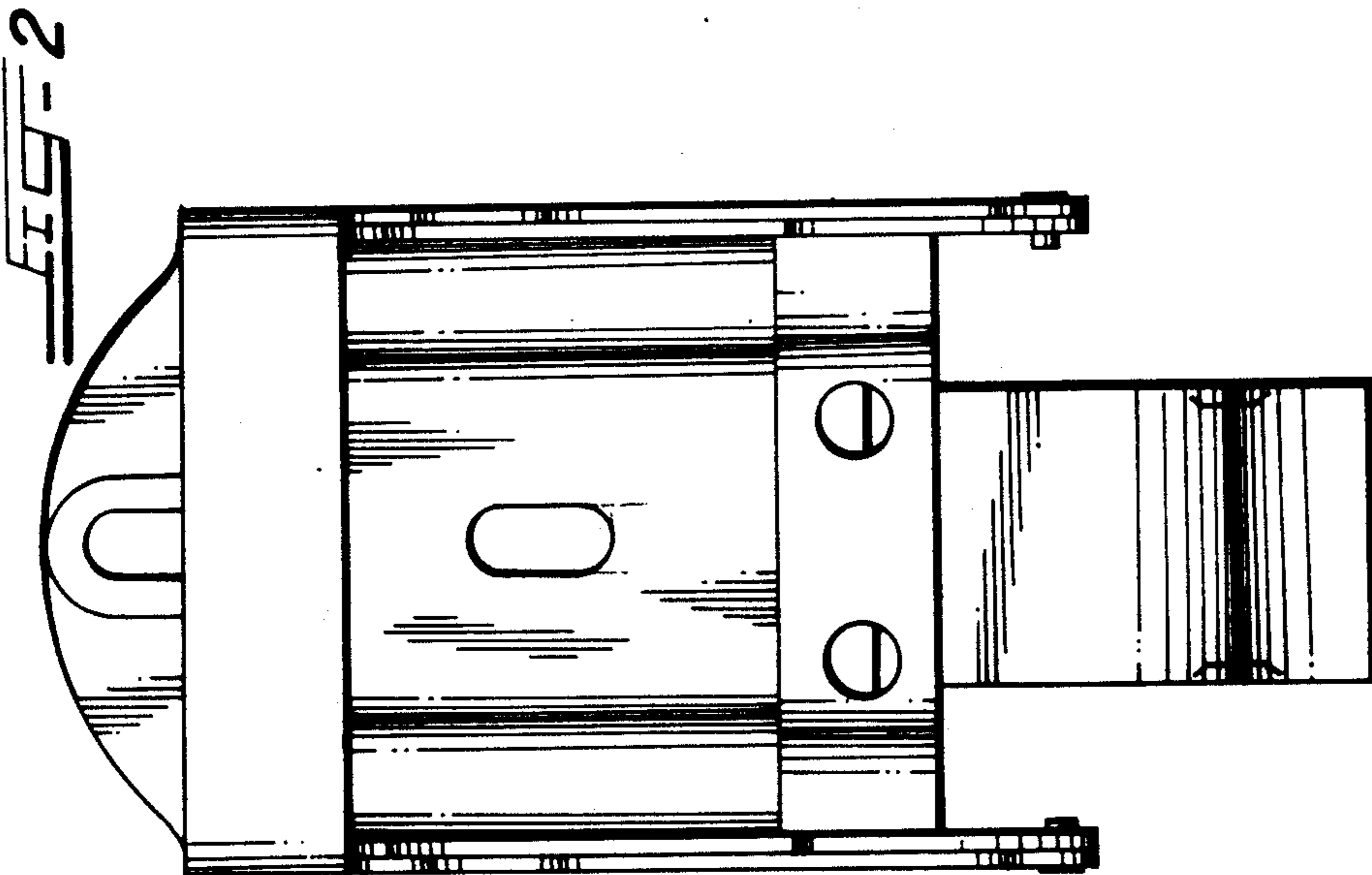
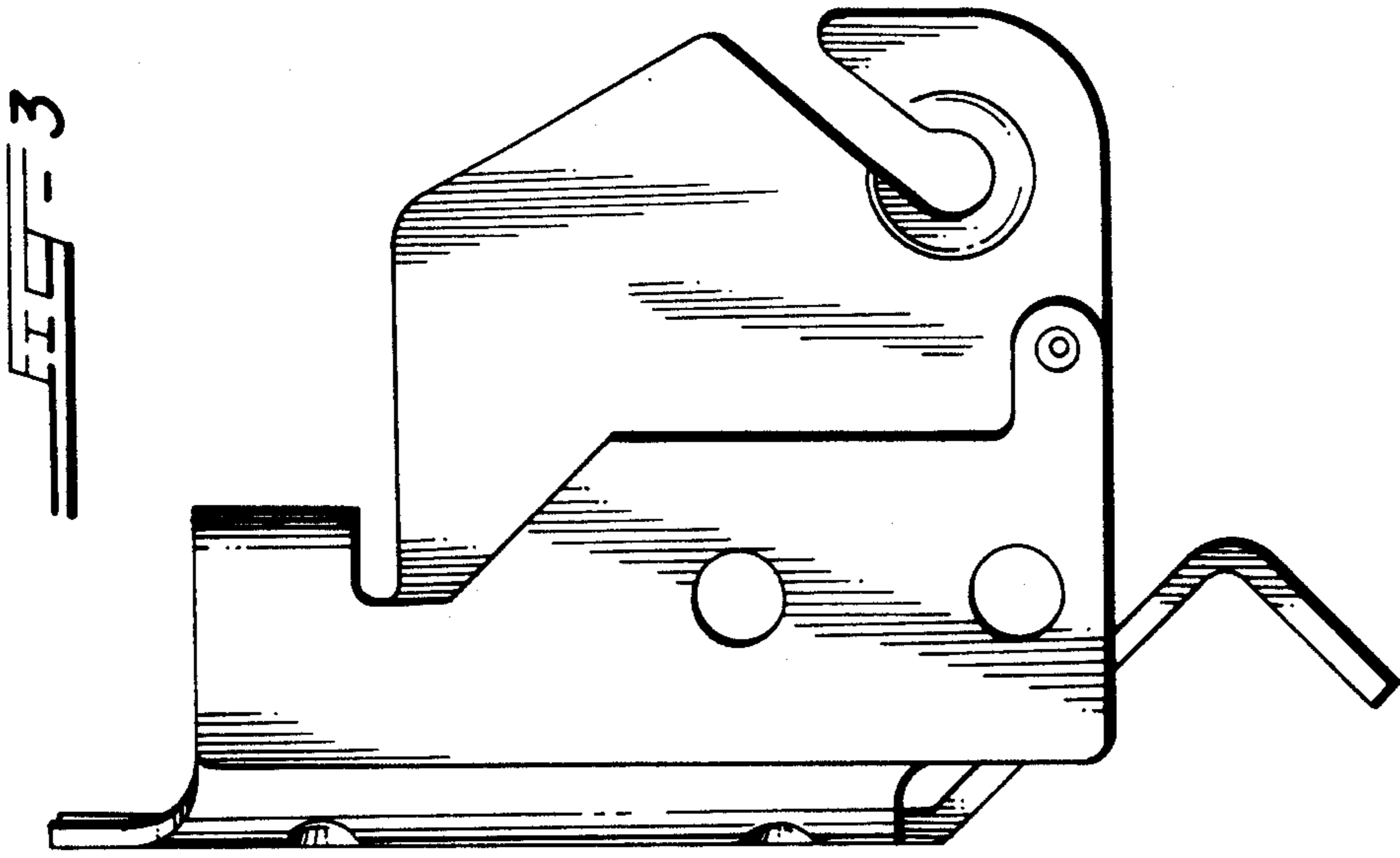


FIG-5

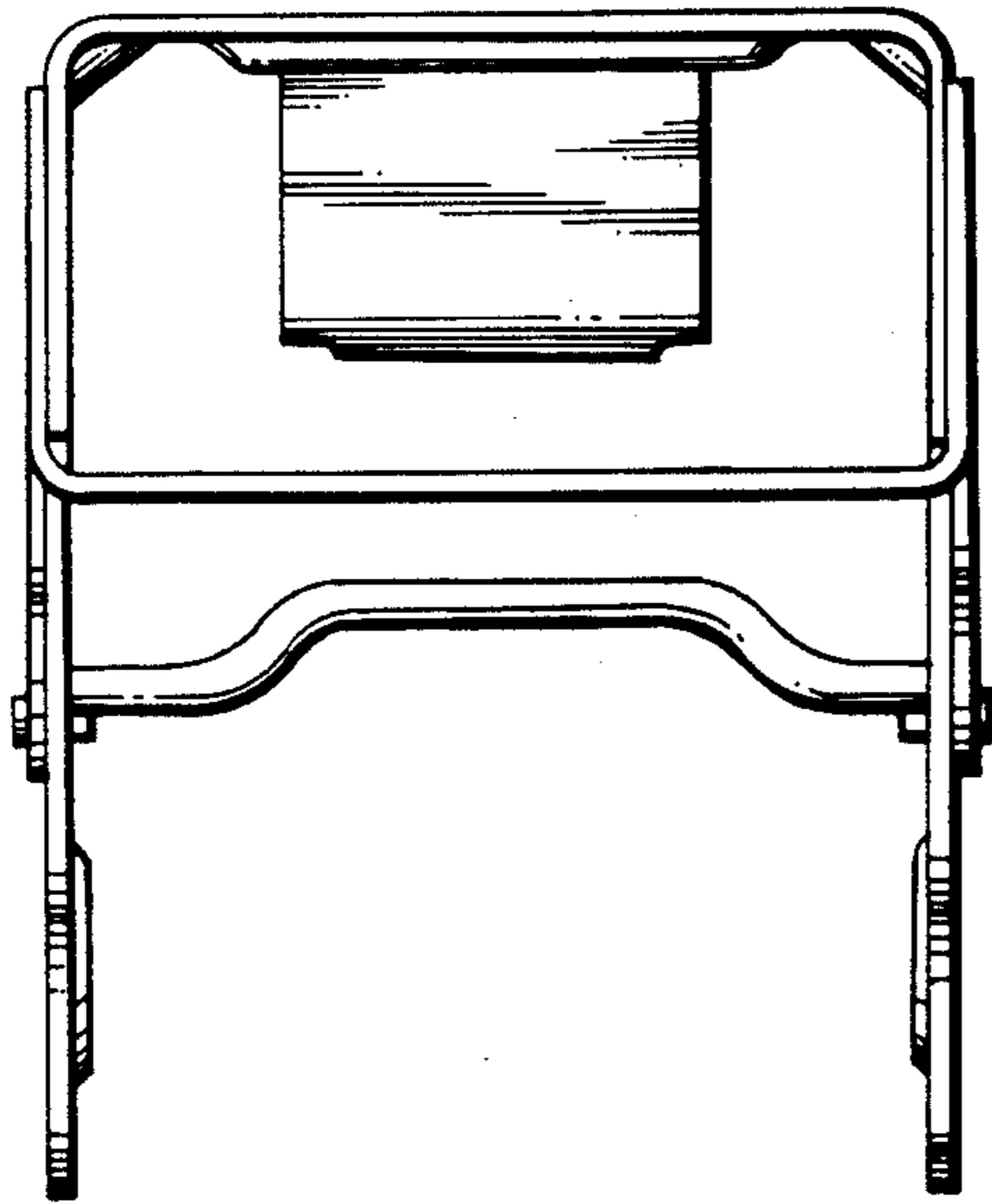
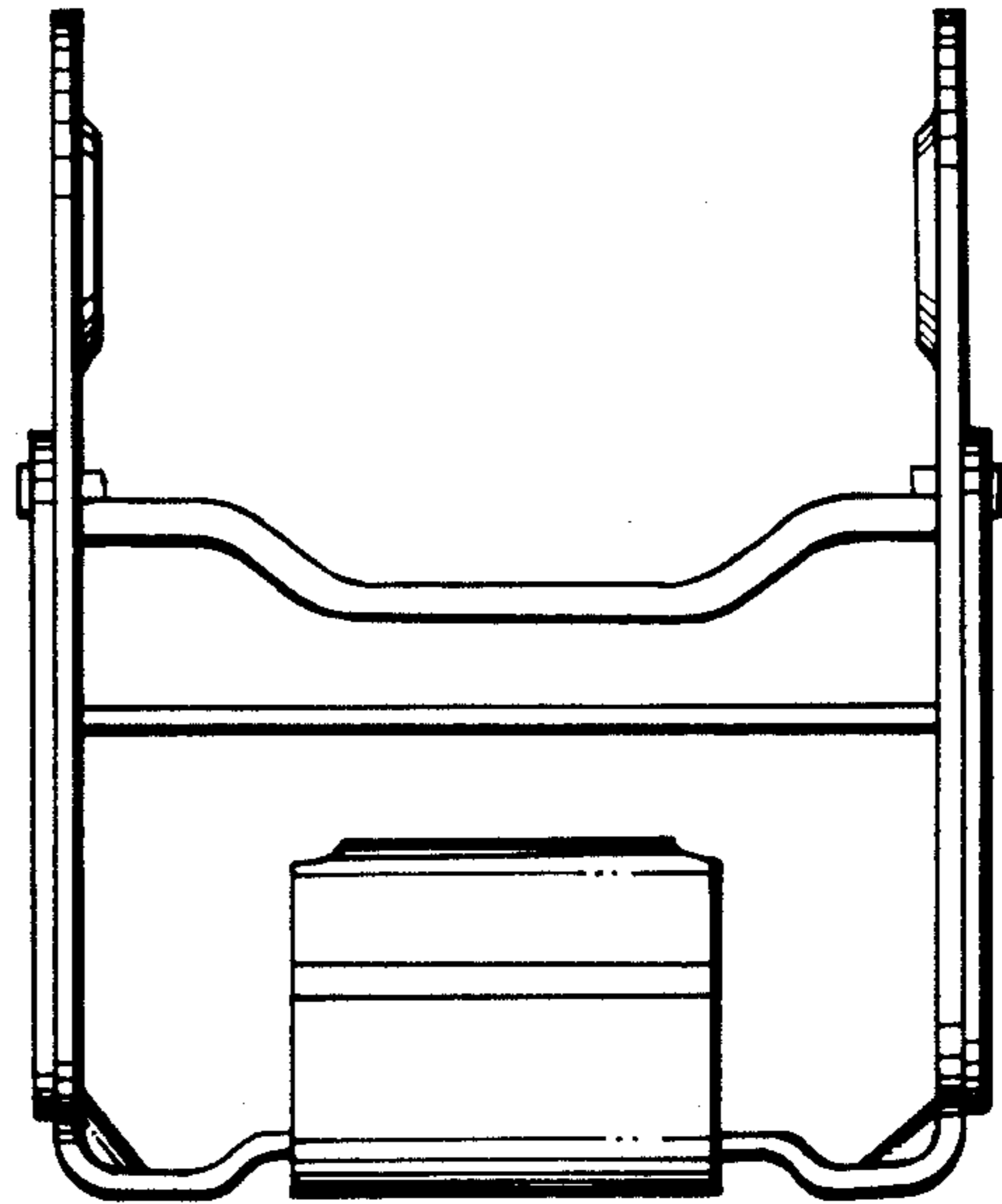


FIG-4

