

[54] BELT MOUNTED BATTERY-TYPE ELECTRICAL POWER UNIT

[76] Inventor: James W. Gatton, P.O. Box 27, State Rte. 97 East, Bellville, Ohio 44813

[**] Term: 14 Years

[21] Appl. No.: 808,888

[22] Filed: Jun. 22, 1977

[51] Int. Cl. D13-02

[52] U.S. Cl. D13/11

[58] Field of Search D13/1, 2, 4, 6, 8, 10, D13/11; 320/2; 224/5 H; 307/150

[56] References Cited

U.S. PATENT DOCUMENTS

3,274,476	9/1966	Wildum	320/2
3,919,615	11/1975	Niecke	224/5 H X
4,108,341	8/1978	Pettinger	224/5 H

Primary Examiner—Susan J. Lucas

Attorney, Agent, or Firm—Robert E. Stebens

[57] CLAIM

The ornamental design for a belt mounted battery-type

electrical power unit, substantially as shown and described.

DESCRIPTION

FIG. 1 is an elevational view of a belt mounted battery-type electrical power unit embodying my new design. FIG. 2 is a fragmentary elevational view on an enlarged scale of the left end of the power unit shown in FIG. 1, the remainder of the belt being omitted for convenience of illustration.

FIG. 3 is an elevational view on a greatly enlarged scale taken from the left side of FIG. 2.

FIG. 4 is a top plan view on a greatly enlarged scale of the control unit and one adjacent battery on the left end of the belt, the remainder of the belt being omitted for convenience of illustration.

FIG. 5 is a bottom plan view of the power unit as shown in FIG. 4.

FIGS. 6 and 7 are cross-sectional views taken on lines 6-6 and 7-7, respectively, of FIG. 2, shown on a greatly enlarged scale.

FIG. 8 is an elevational view on a greatly enlarged scale taken from the right of FIG. 1. The belt buckle is partially shown in FIGS. 1 and 2 in broken lines for illustrative purposes only.



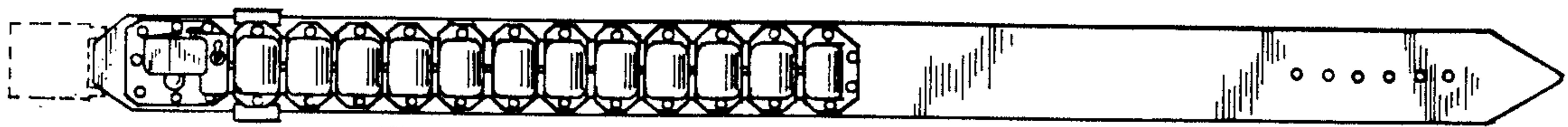


FIG. 1

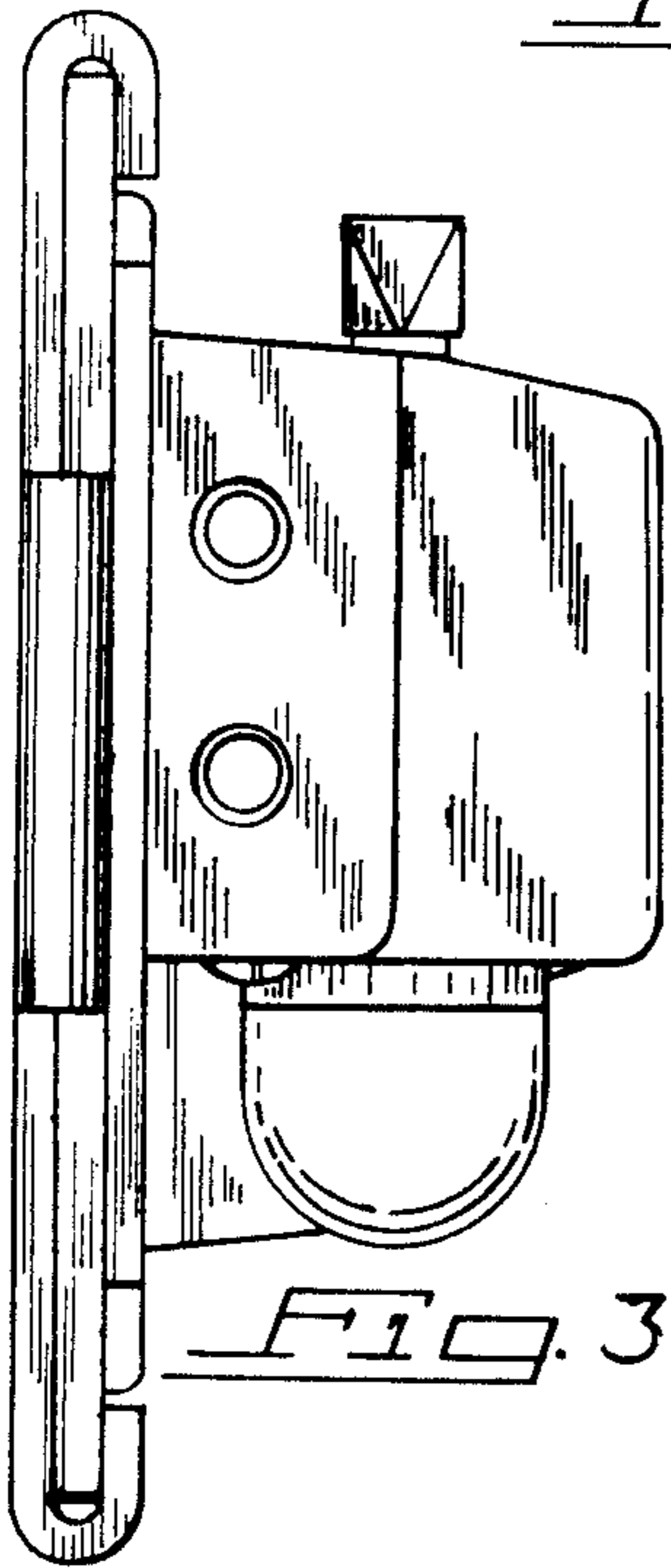


FIG. 3

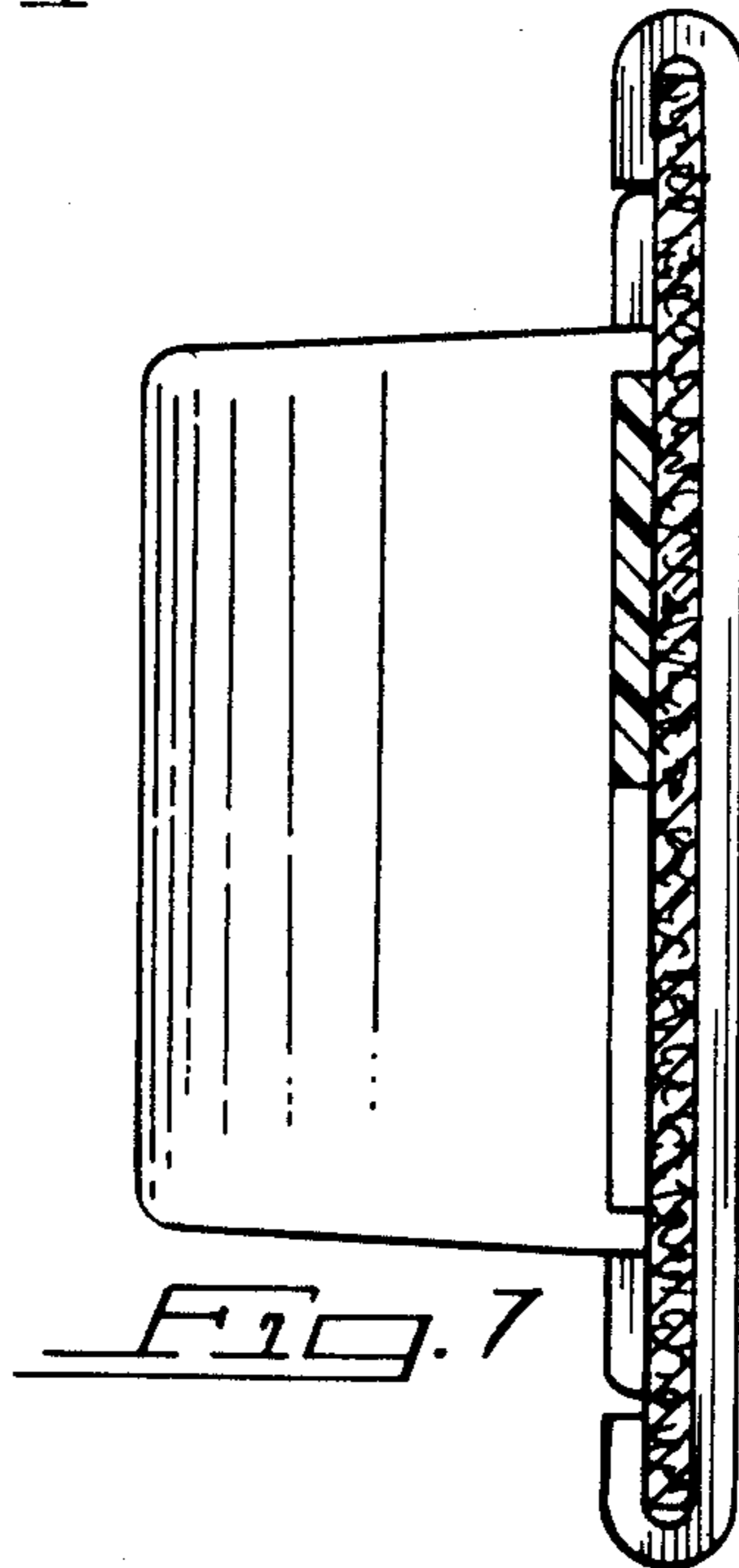


FIG. 7

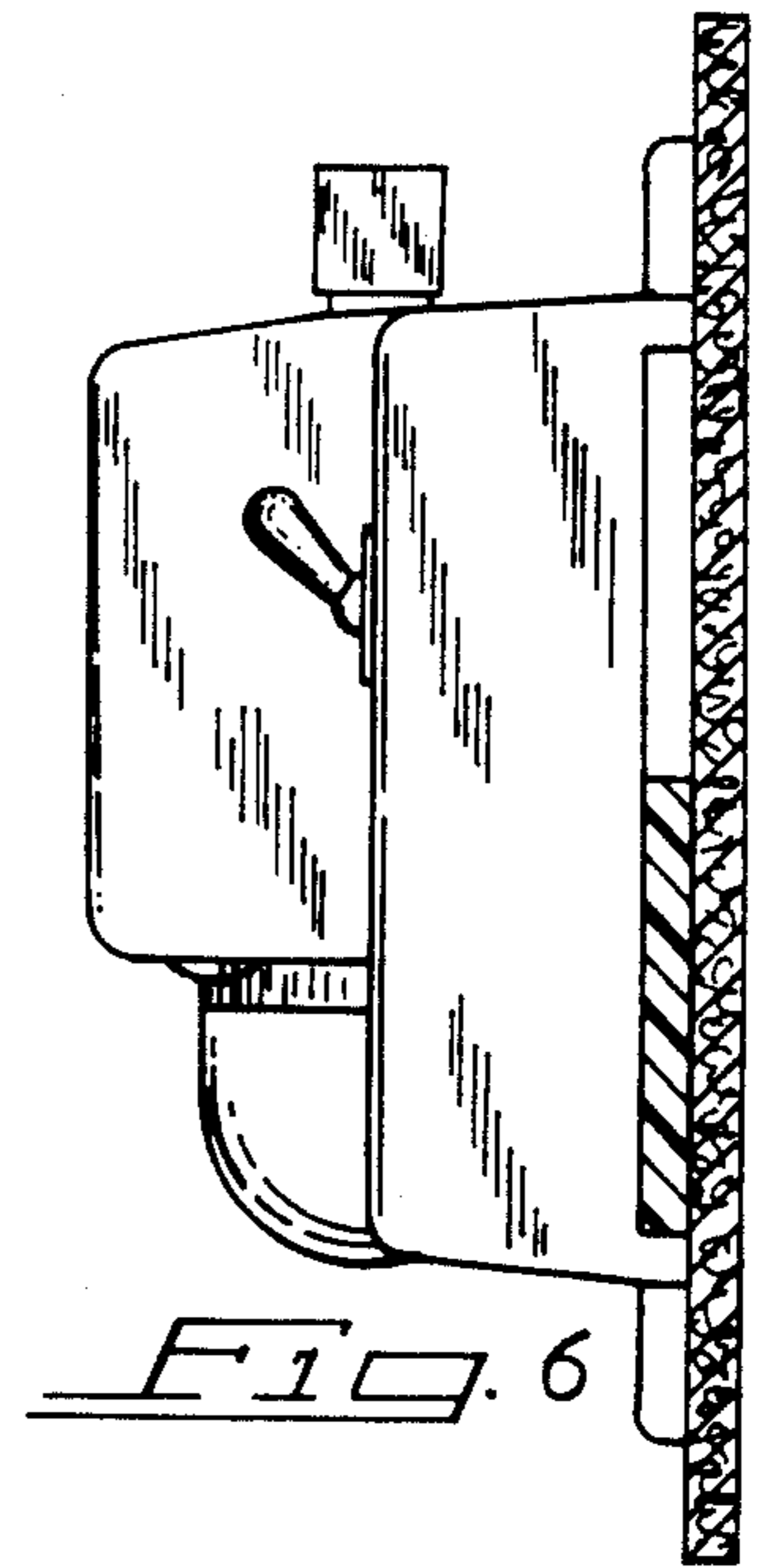


FIG. 6

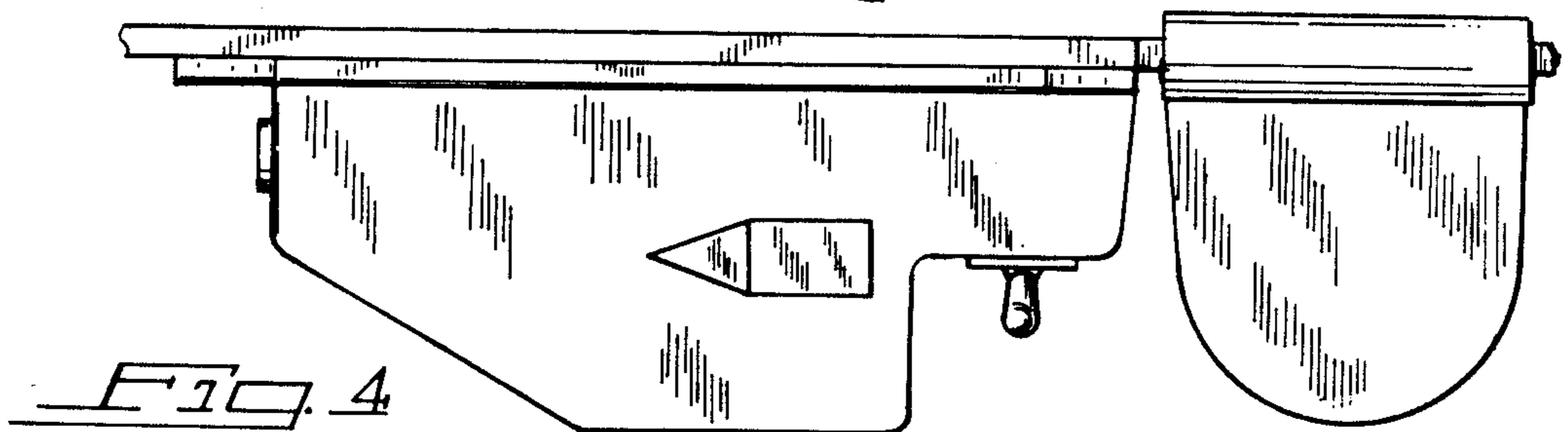


FIG. 4

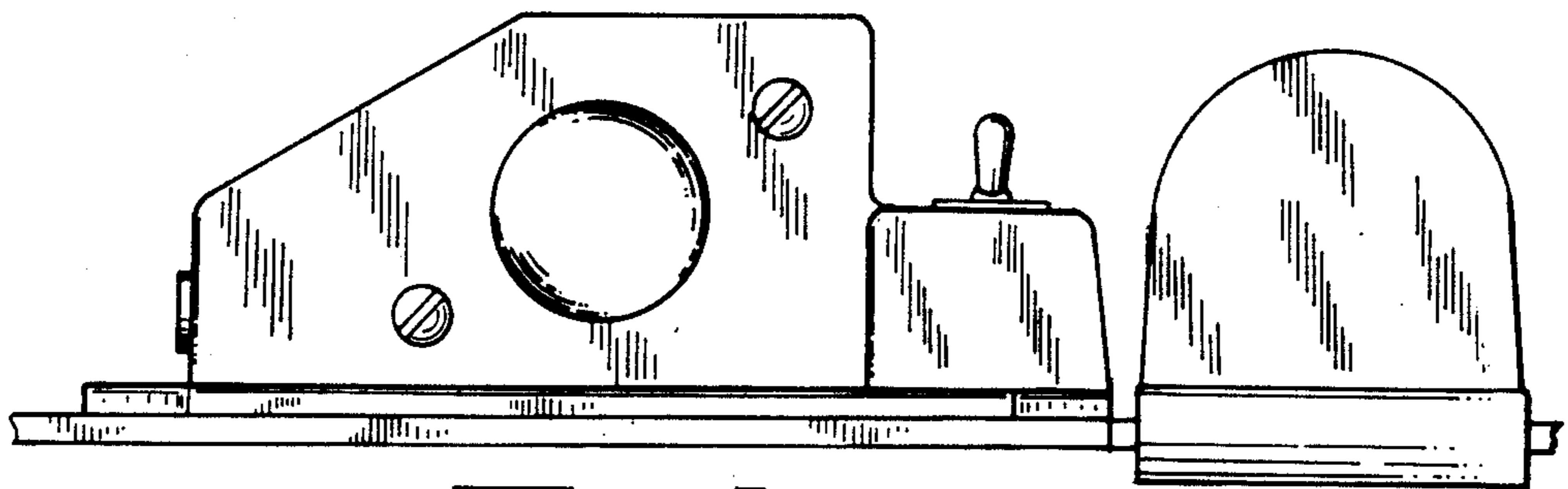
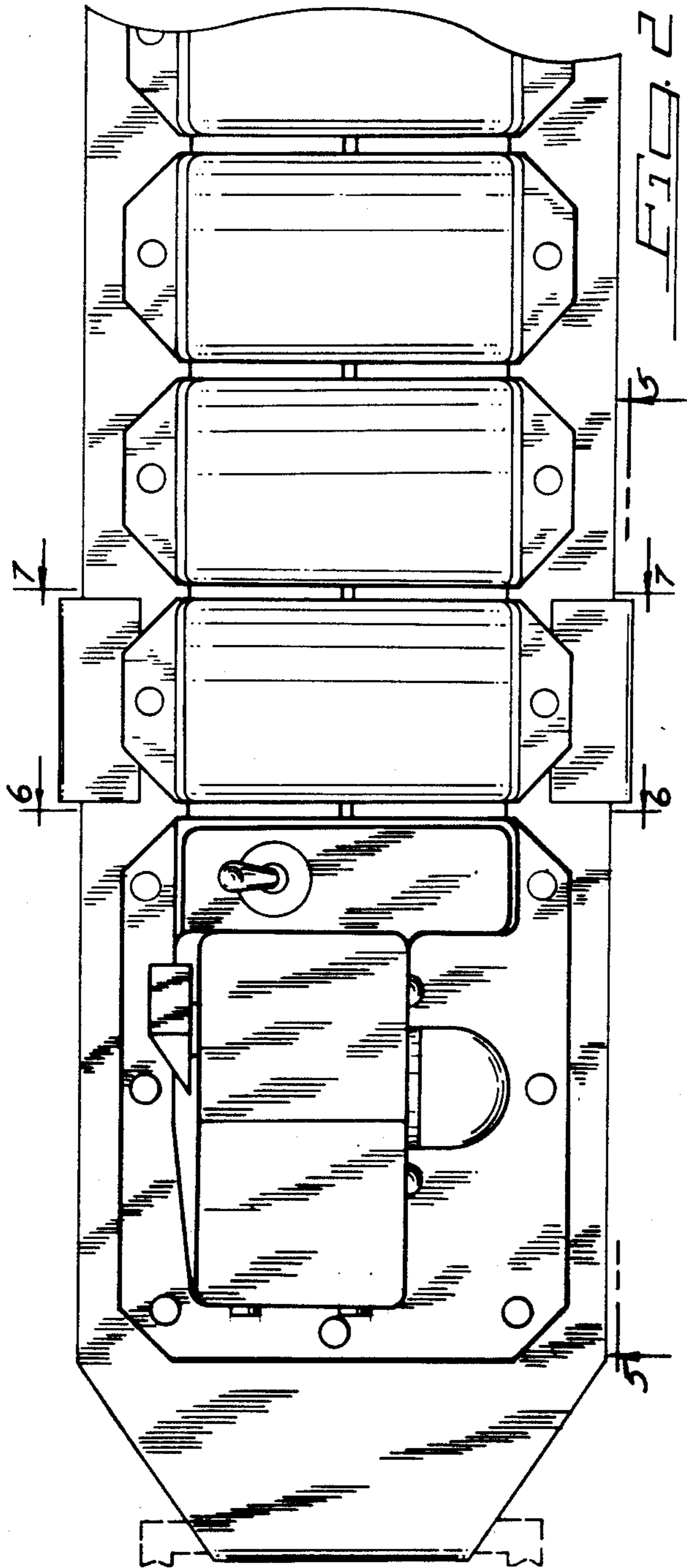


FIG. 5



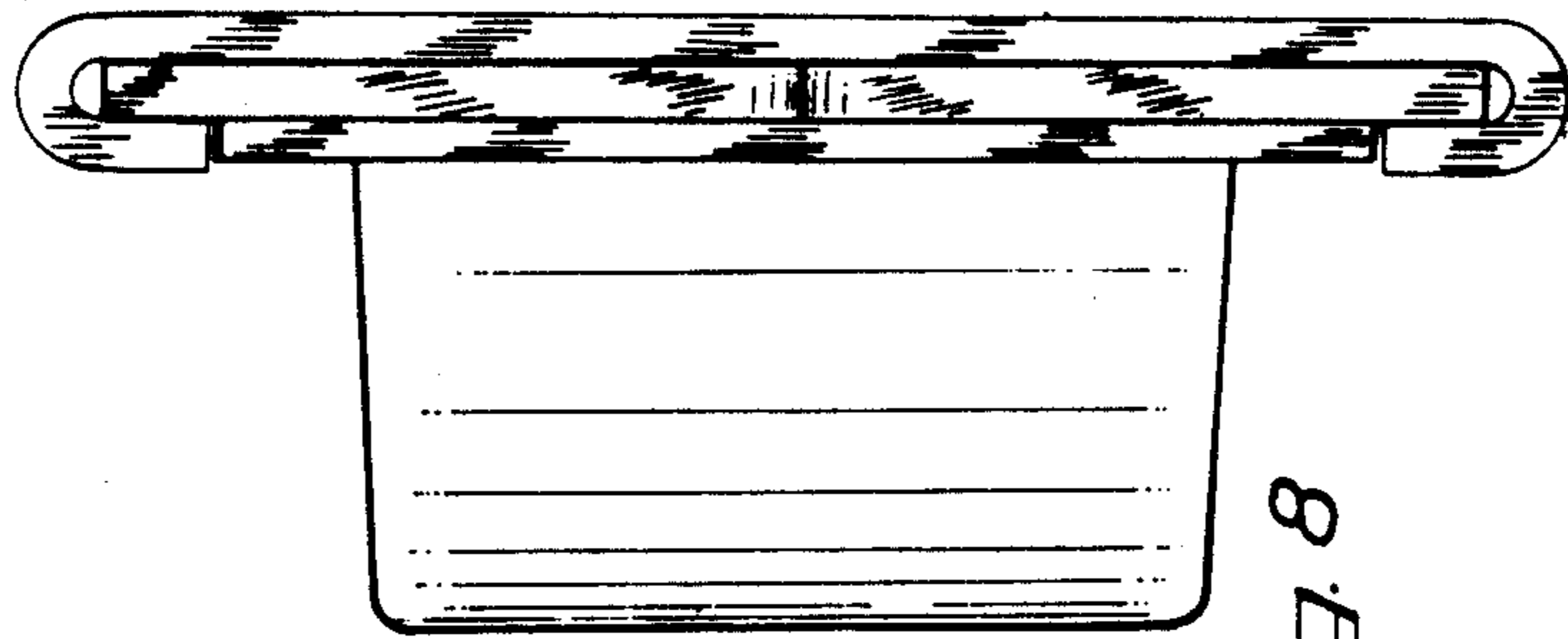


FIG. 8