

[54] **COMBINED HOISTING AND POSITIONING ARM**

[75] Inventors: **Paul S. Mefferd; Thomas A. Mefferd,** both of Laurens, Iowa

[73] Assignee: **Mefferd Industries, Inc.,** Laurens, Iowa

[**] Term: **14 Years**

[21] Appl. No.: **825,550**

[22] Filed: **Aug. 18, 1977**

[51] Int. Cl. **D12-05**

[52] U.S. Cl. **D12/54**

[58] Field of Search **D12/53, 54; 254/124; 269/71**

[56] **References Cited**

U.S. PATENT DOCUMENTS

2,786,434	3/1957	Klungtvedt	269/60
3,814,413	6/1974	Bopp	269/71

3,883,105 5/1975 Matsumoto 248/281.1

OTHER PUBLICATIONS

New Equipment Digest, 3/1976, p. 113, Hydraulic Crane.

Primary Examiner—Wallace R. Burke

Assistant Examiner—B. J. Bullock

Attorney, Agent, or Firm—Rudolph L. Lowell; G. Brian Pingel

[57] **CLAIM**

The ornamental design for a combined hoisting and positioning arm, substantially as shown.

DESCRIPTION

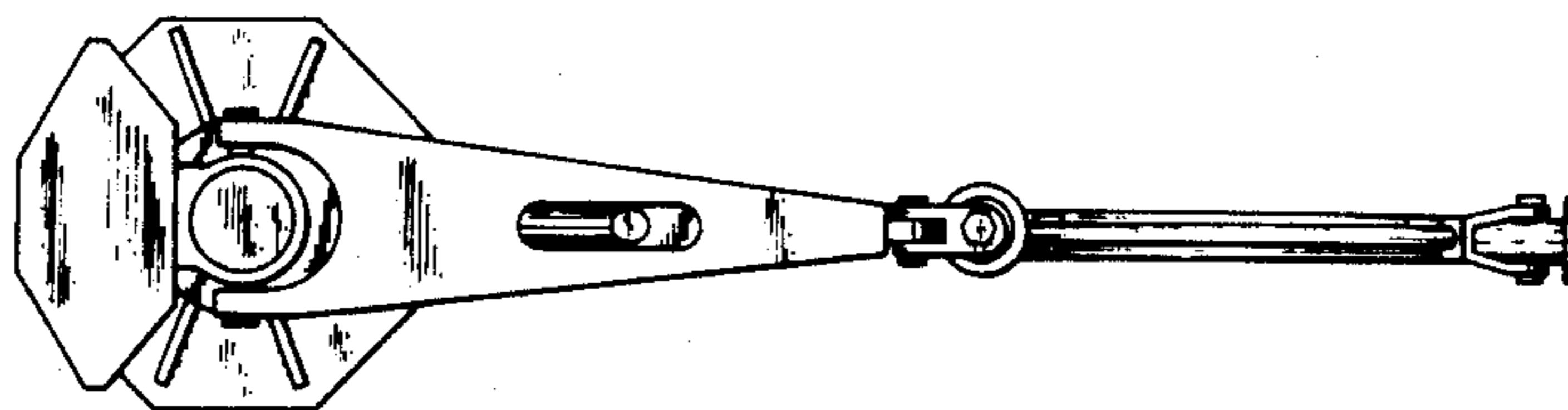
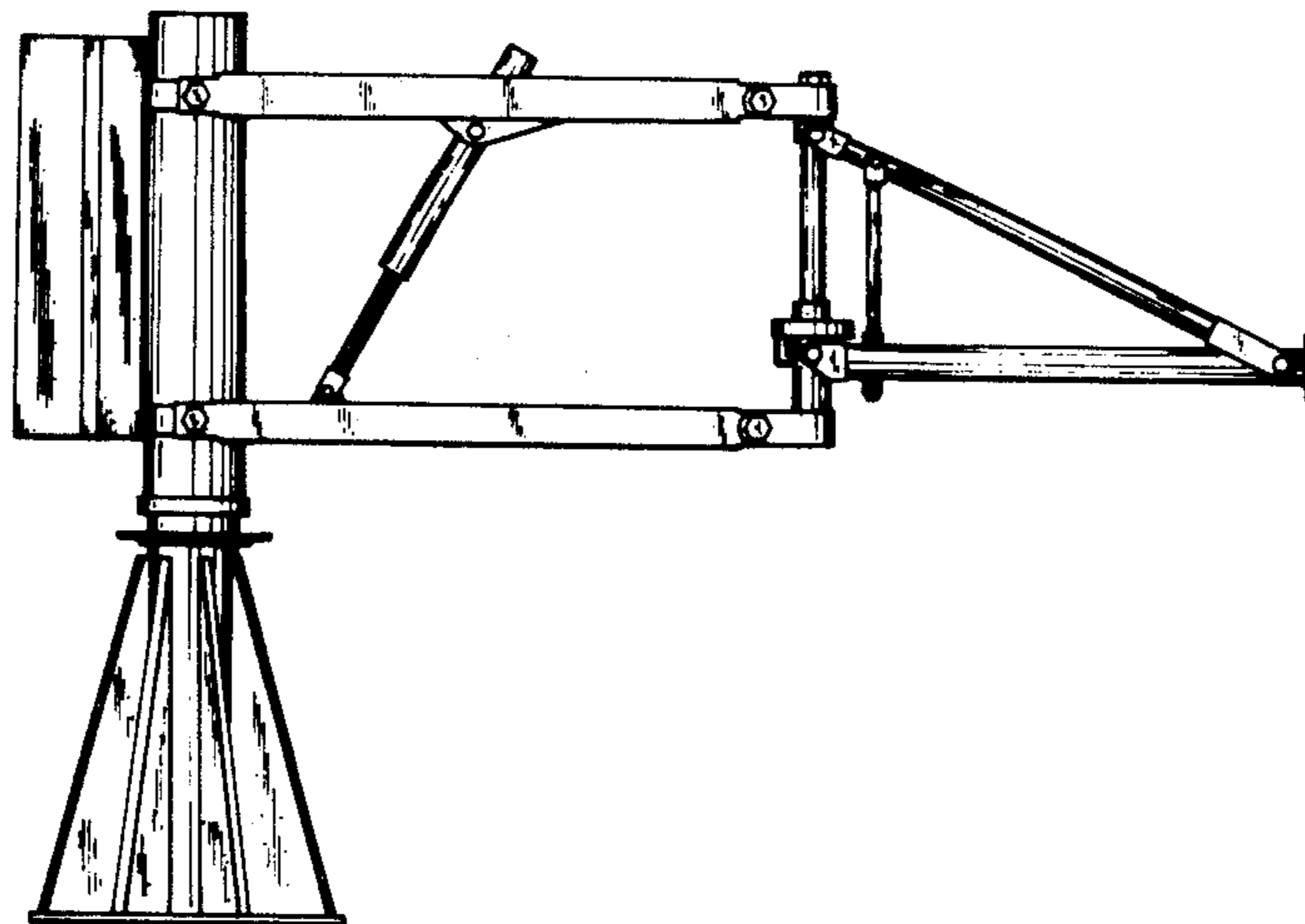
FIG. 1 is a side elevation view of the combined hoisting and positioning arm showing our new design;

FIG. 2 is a top view;

FIG. 3 is a rear elevational view;

FIG. 4 is a front elevational view;

FIG. 5 is a bottom view.



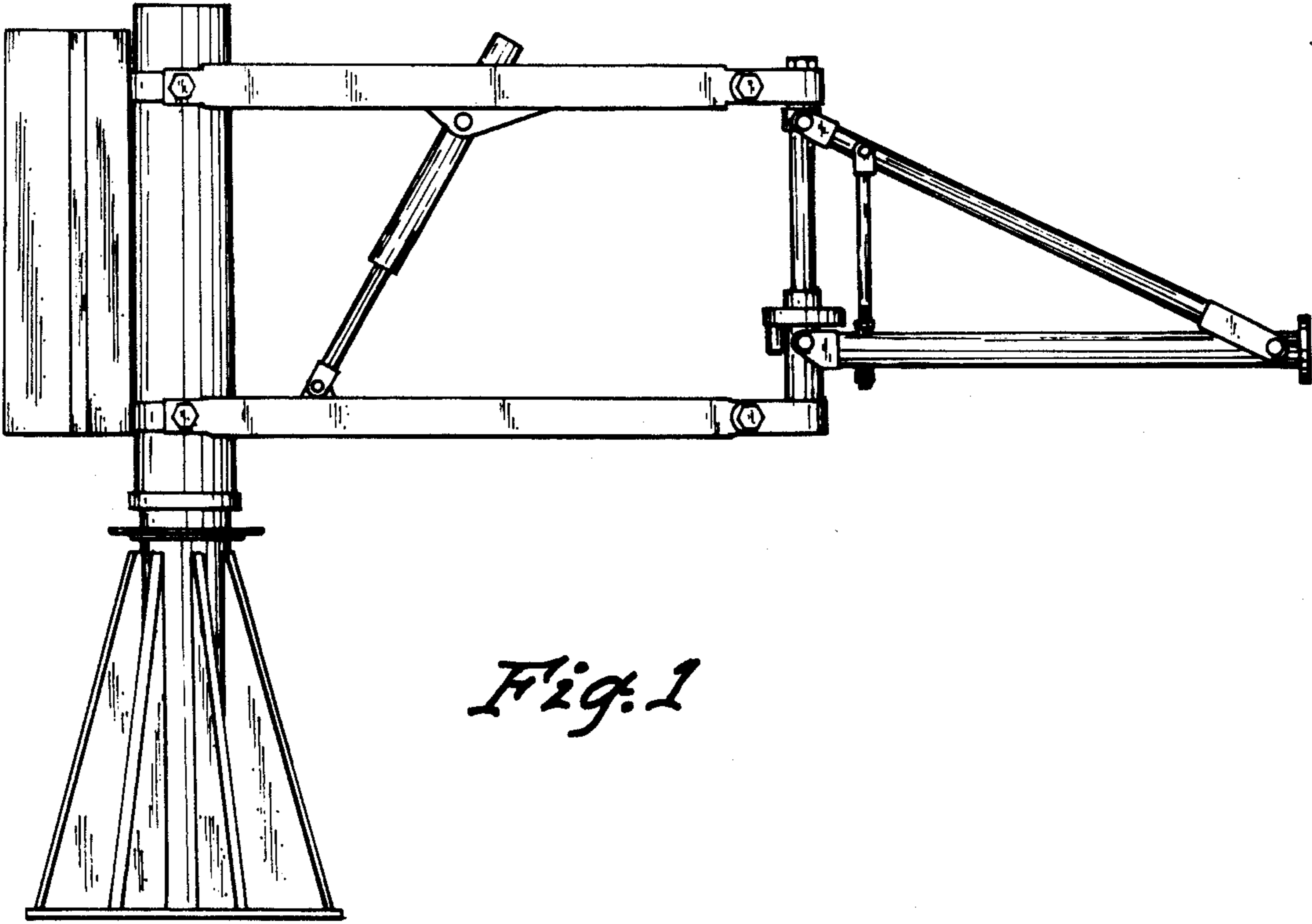


Fig. 1

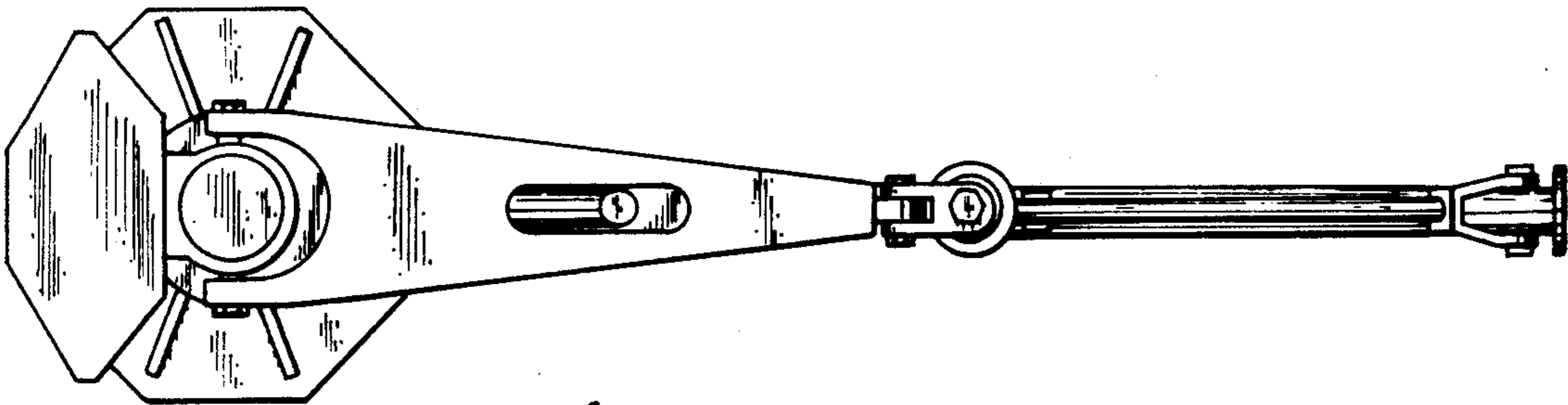


Fig. 2

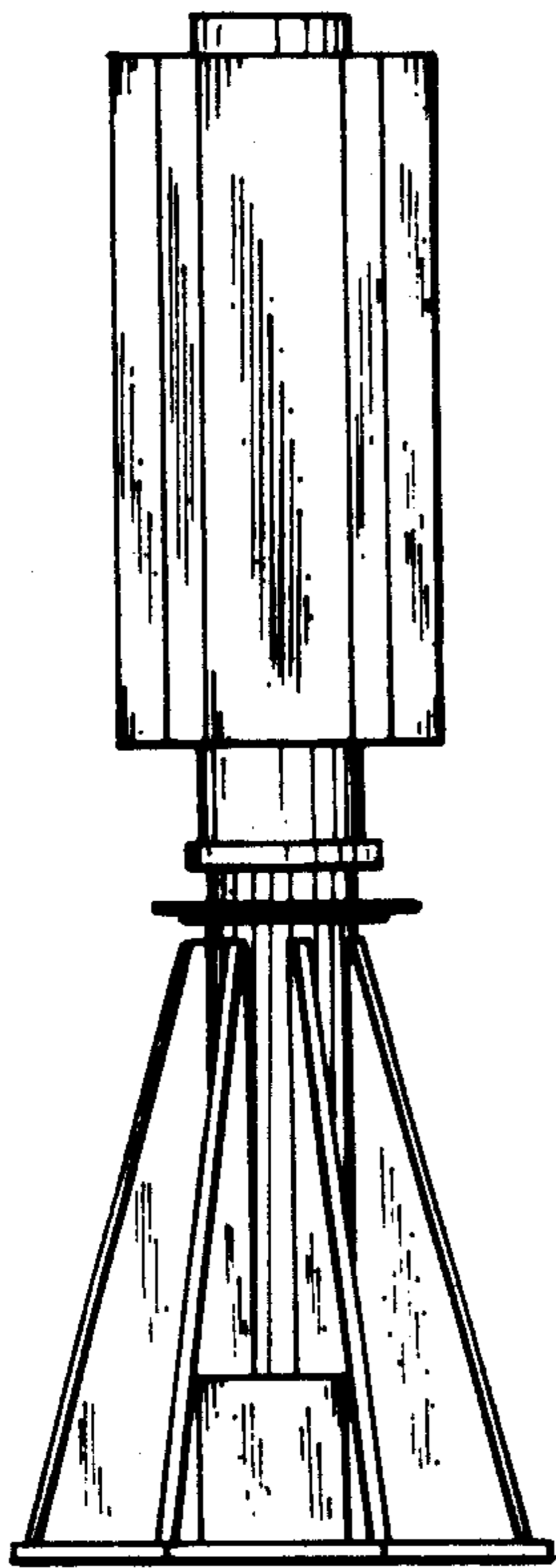


Fig. 3

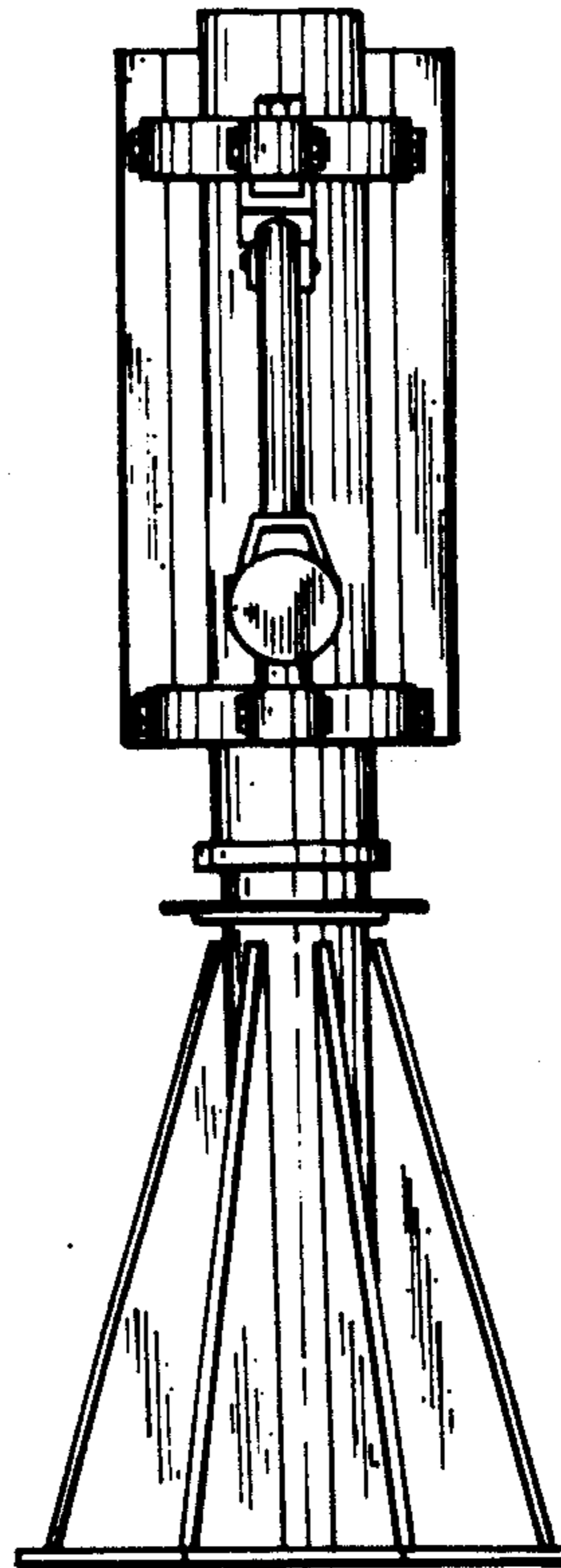


Fig. 4

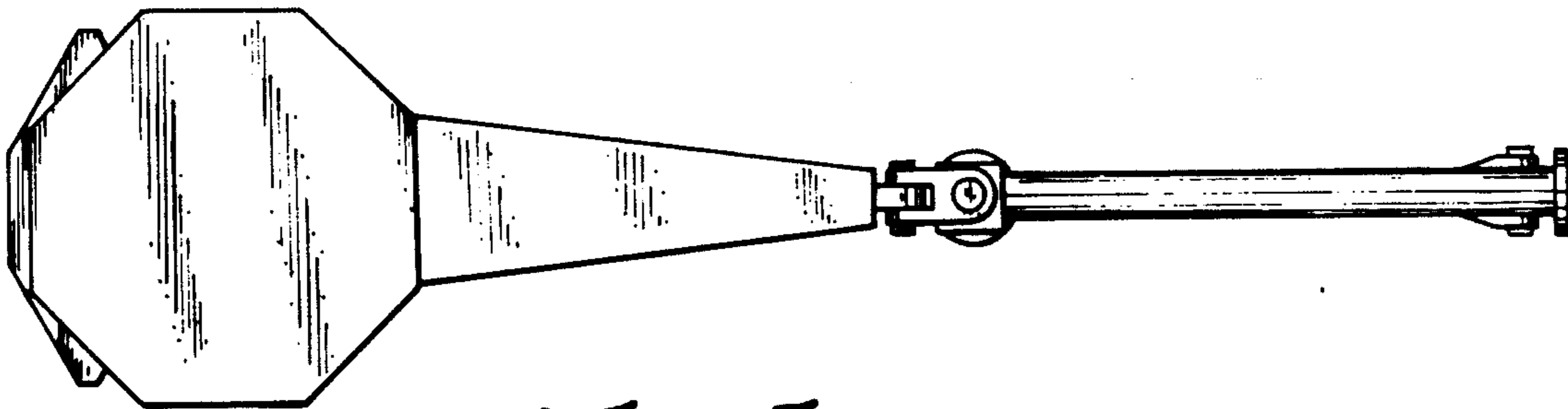


Fig. 5