

[54] DOUBLE RING

[76] Inventor: Mildred Abelson, 15 Sycamore La., Roslyn Heights, N.Y. 11577

[**] Term: 14 Years

[21] Appl. No.: 924,865

[22] Filed: Jul. 14, 1978

[51] Int. Cl. D11-01

[52] U.S. Cl. D11/34; D11/28; D11/35

[58] Field of Search D11/2, 3, 26-29, D11/34-36; 63/1 R, 1 A, 2, 15-15.8

[56] References Cited

U.S. PATENT DOCUMENTS

D. 149,709 5/1948 Untermeyer D11/34

1,849,388 3/1932 Tashoff D11/29 X

Primary Examiner—Louis S. Zarfes
Attorney, Agent, or Firm—Posnack, Roberts, Cohen & Spicens

[57] CLAIM

The ornamental design for a double ring, substantially as shown and described.

DESCRIPTION

FIG. 1 is a top plan view of a double ring showing my new design;
FIG. 2 is a side elevational view thereof, both sides being the same;
FIG. 3 is an edge elevational view thereof, both edges being the same;
FIG. 4 is a bottom plan view thereof; and
FIG. 5 is an exploded perspective view thereof.

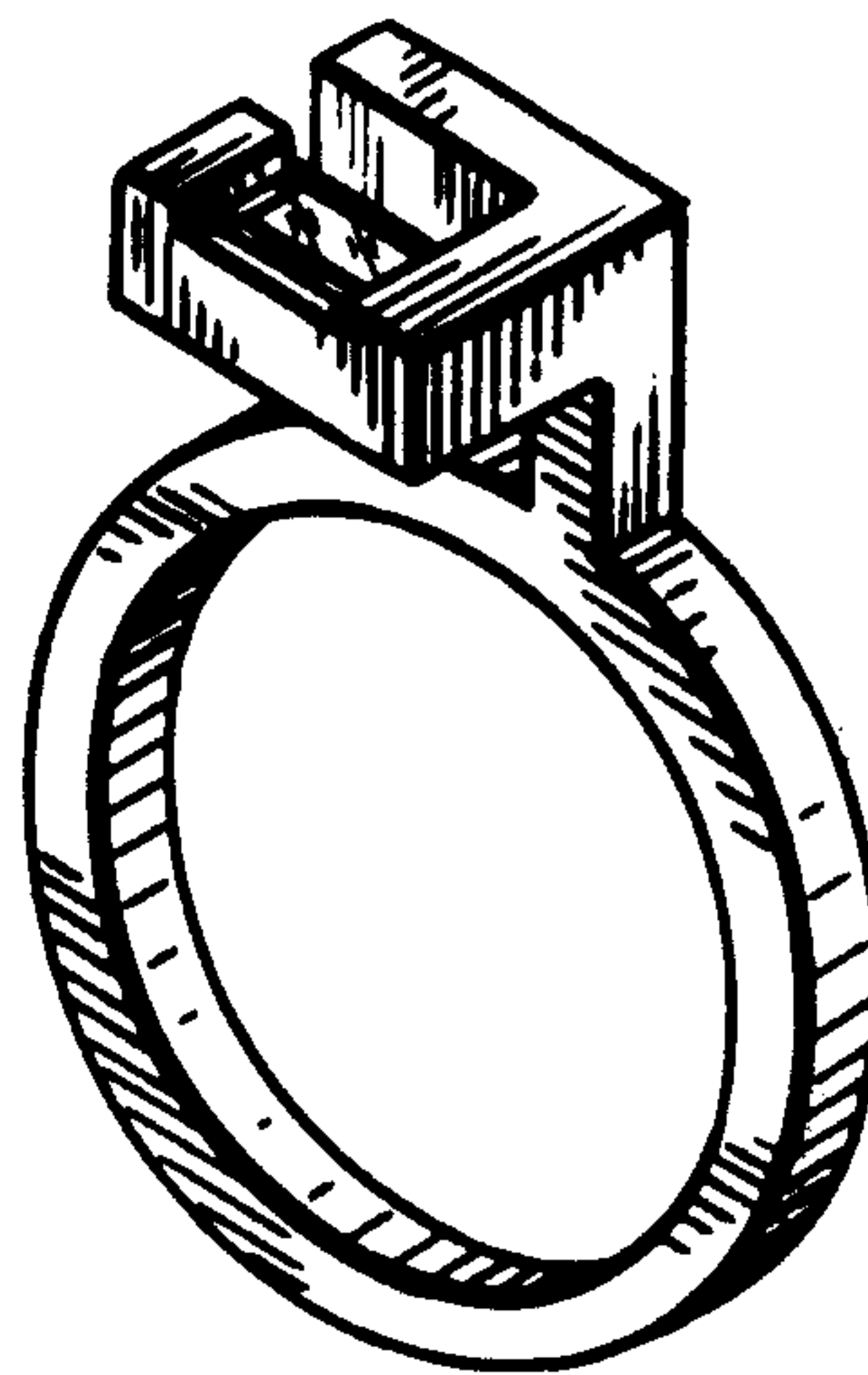
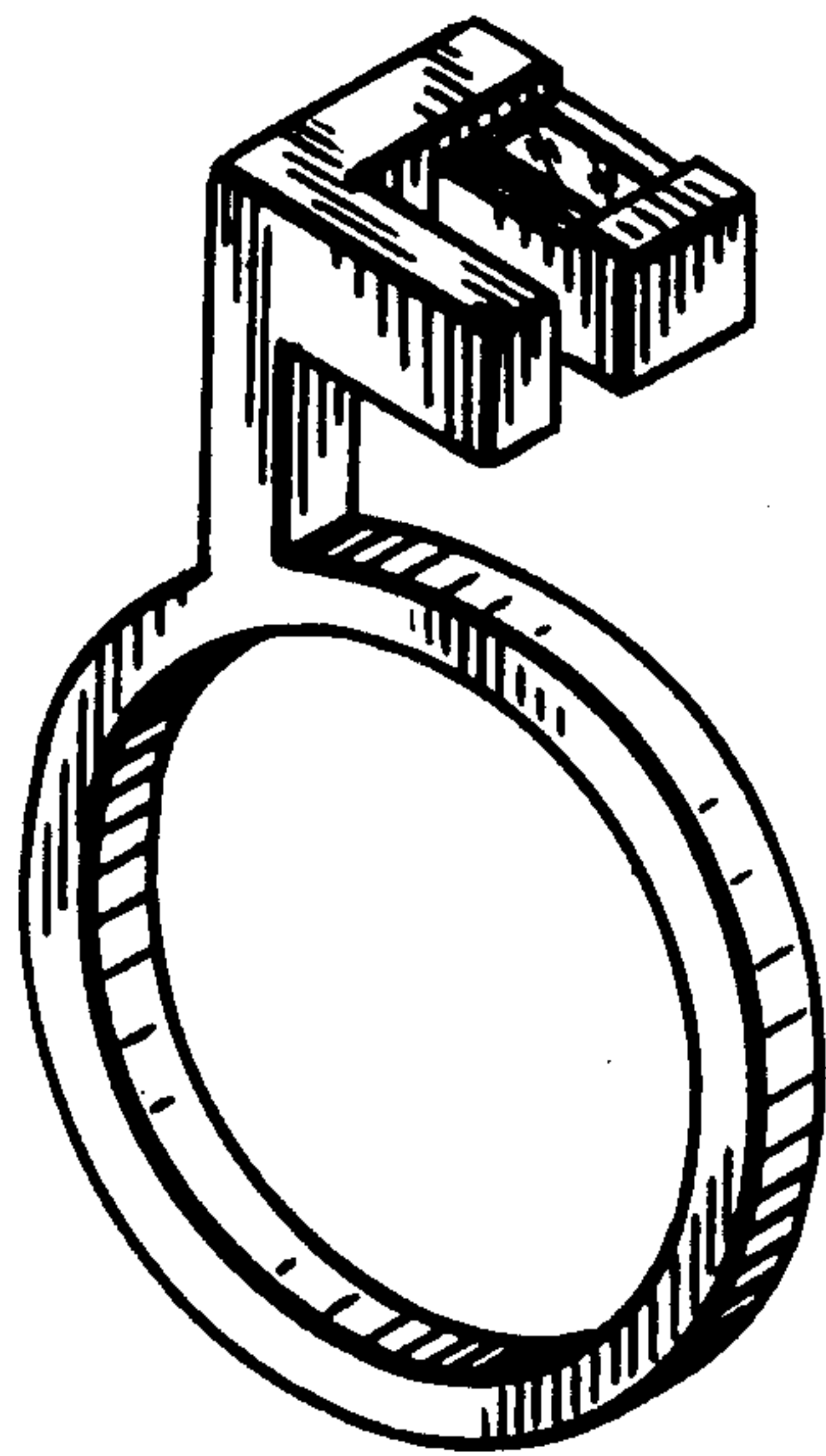


FIG. 1

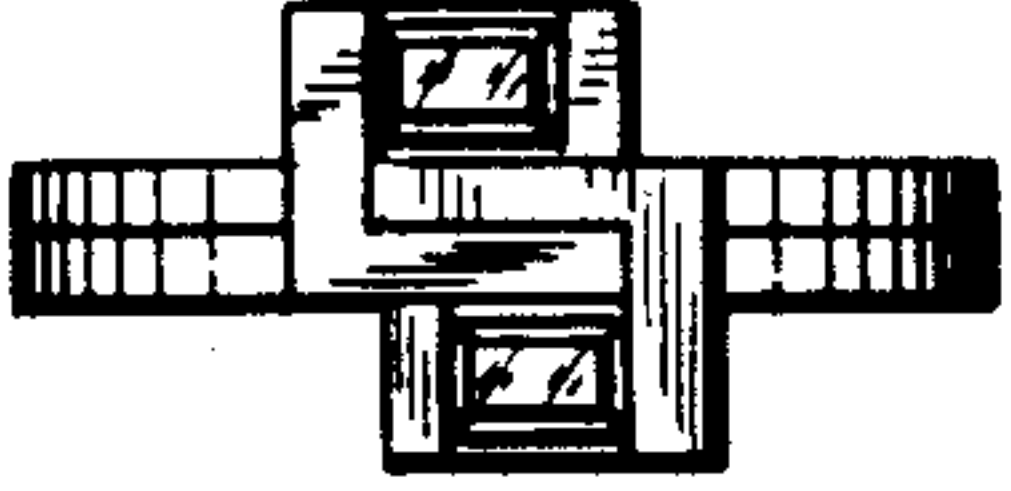


FIG. 2

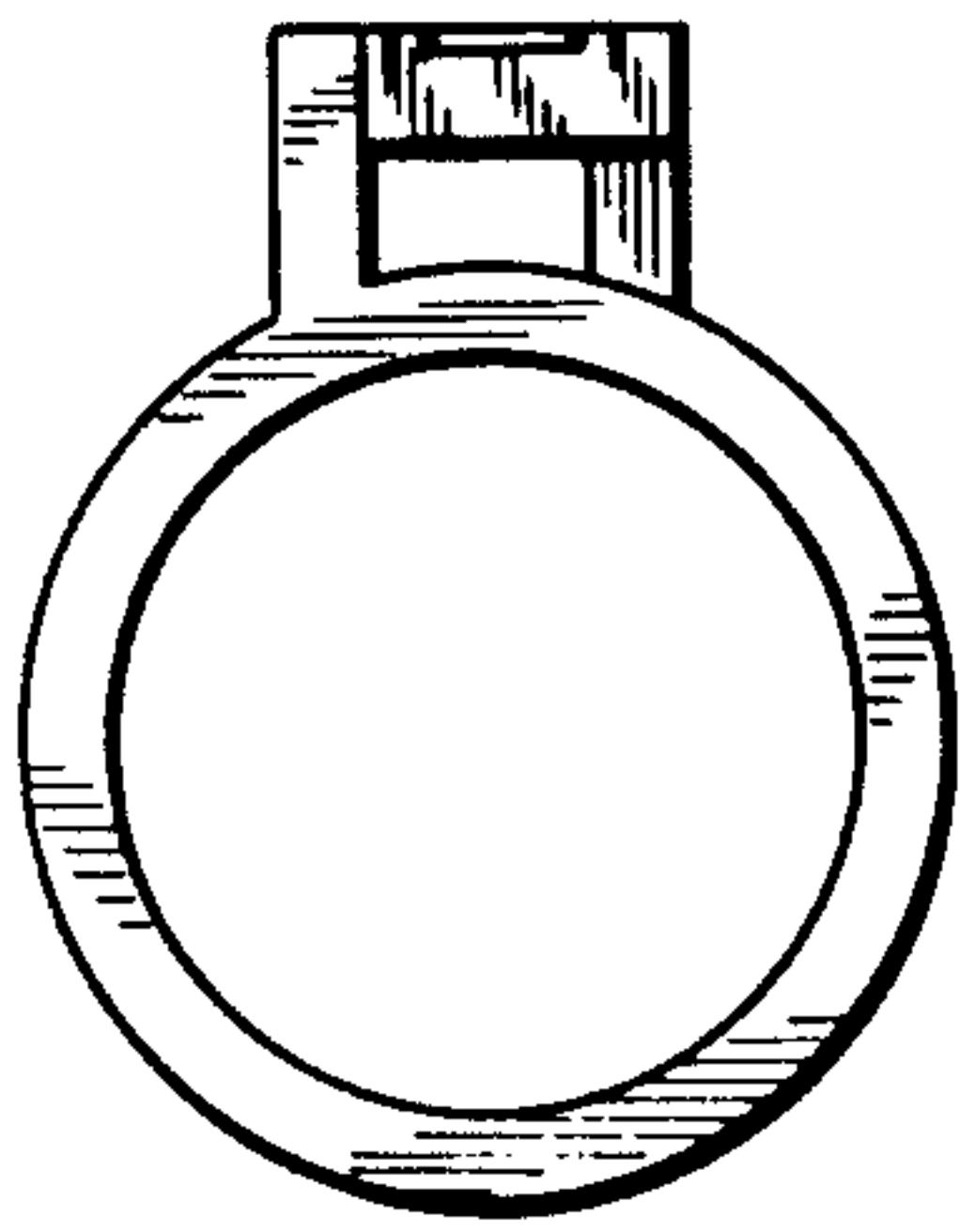


FIG. 3

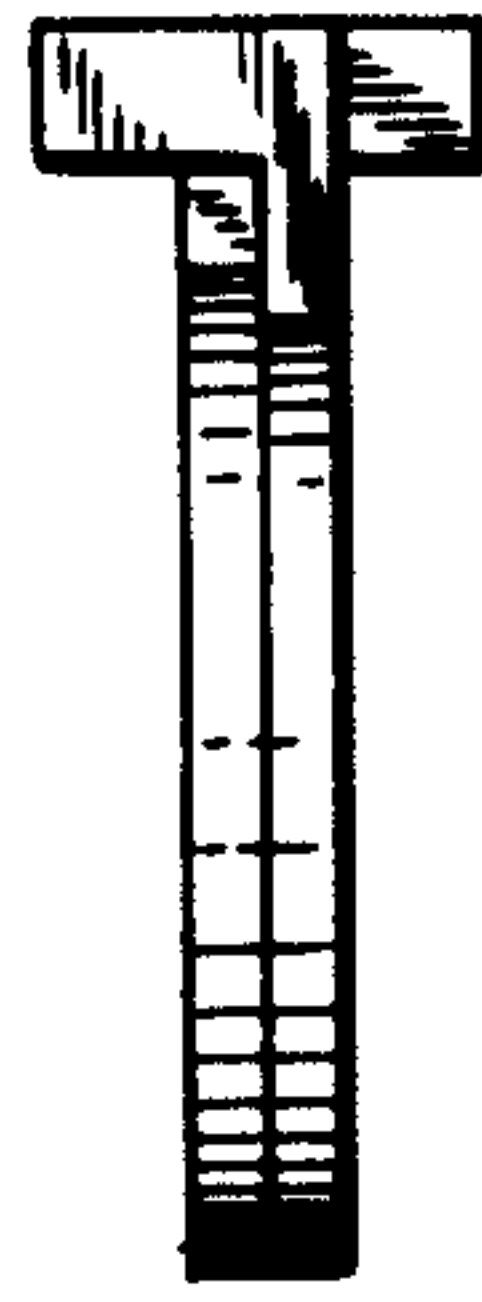


FIG. 4

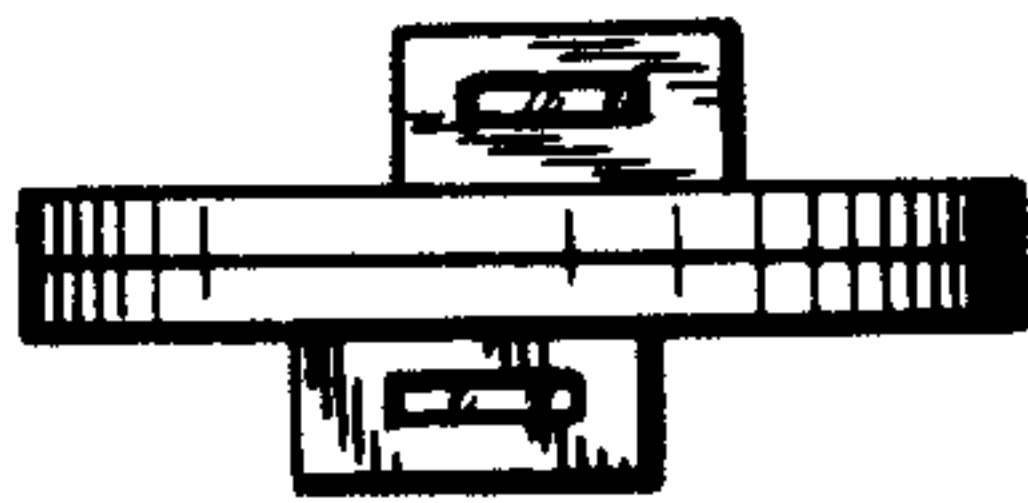


FIG. 5

