

[54] COMBINED INSULATED FOOD SERVICE TRAY AND COVER

[75] Inventor: Edgar Otto, Scotch Plains, N.J.

[73] Assignee: Therma-Tray Corporation, South Plainfield, N.J.

[**] Term: 14 Years

[21] Appl. No.: 793,852

[22] Filed: May 4, 1977

[51] Int. Cl. D9-03

[52] U.S. Cl. D9/185; D7/38

[58] Field of Search D7/16, 37, 38, 40; 229/1.5, 2.5, 3.5; D9/219, 182-187, 242

[56] References Cited

U.S. PATENT DOCUMENTS

- D. 216,869 3/1970 Britt D9/185
- D. 219,240 11/1970 Bridges et al. D9/185 X
- D. 225,512 12/1972 Cyr et al. D9/185
- D. 249,774 10/1978 Seager D7/38

3,412,888 11/1968 Andrews et al. D9/219 X

Primary Examiner—Robert C. Spangler
Attorney, Agent, or Firm—Leonard J. Santisi

[57] CLAIM

The ornamental design for a combined insulated food service tray and cover, as shown.

DESCRIPTION

FIG. 1 is a front elevational view of a combined insulated food service tray and cover embodying my new design;

FIG. 2 is a side elevational view thereof;

FIG. 3 is a rear elevational view thereof;

FIG. 4 is a top plan view of the cover portion;

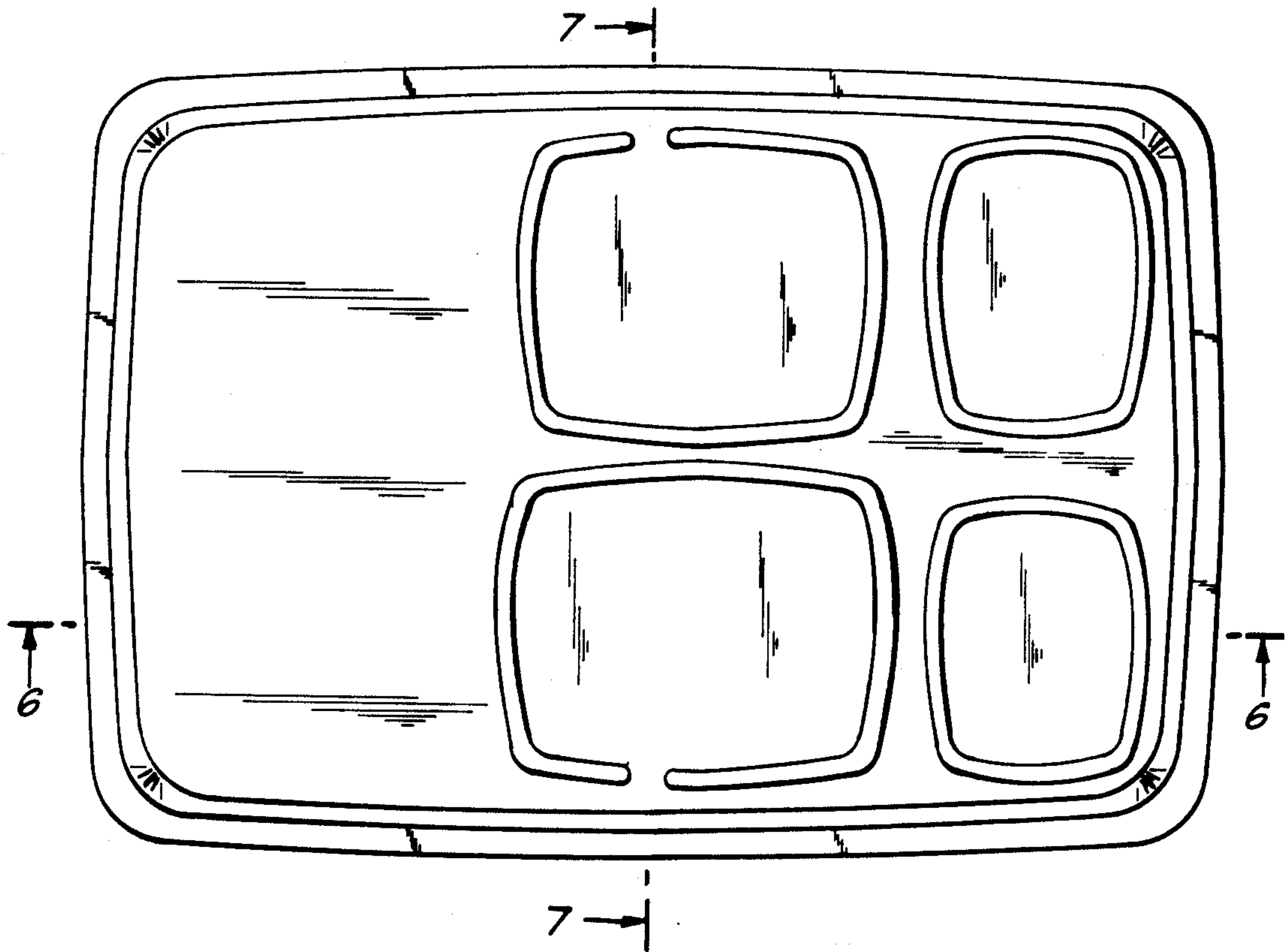
FIG. 5 is a bottom view of the tray portion;

FIG. 6 is a sectional view taken on the line 6-6 of FIG. 4;

FIG. 7 is a sectional view taken on the line 7-7 of FIG. 4;

FIG. 8 is a bottom plan view of the cover portion; and

FIG. 9 is a top plan view of the tray portion.



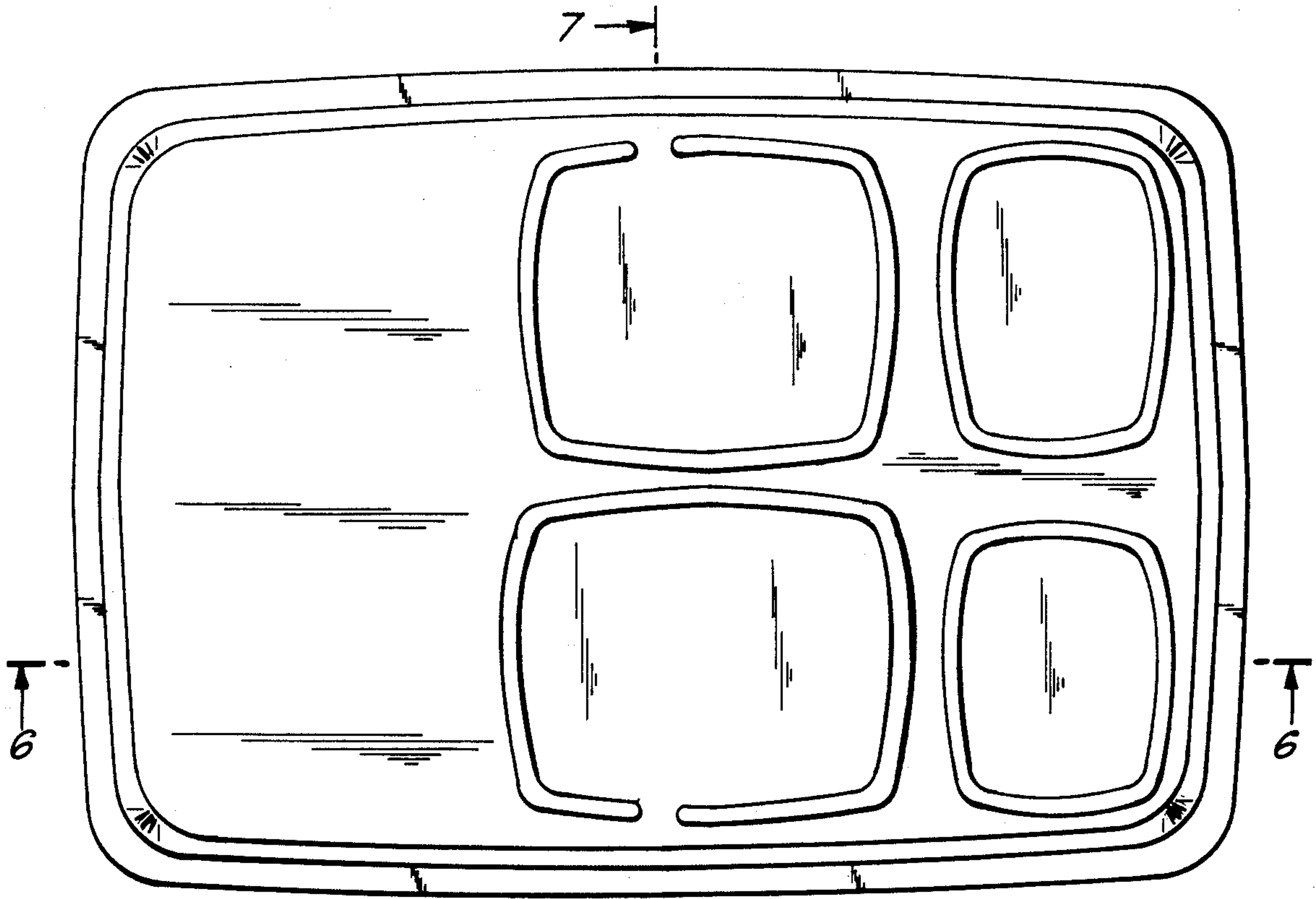


FIG. 1

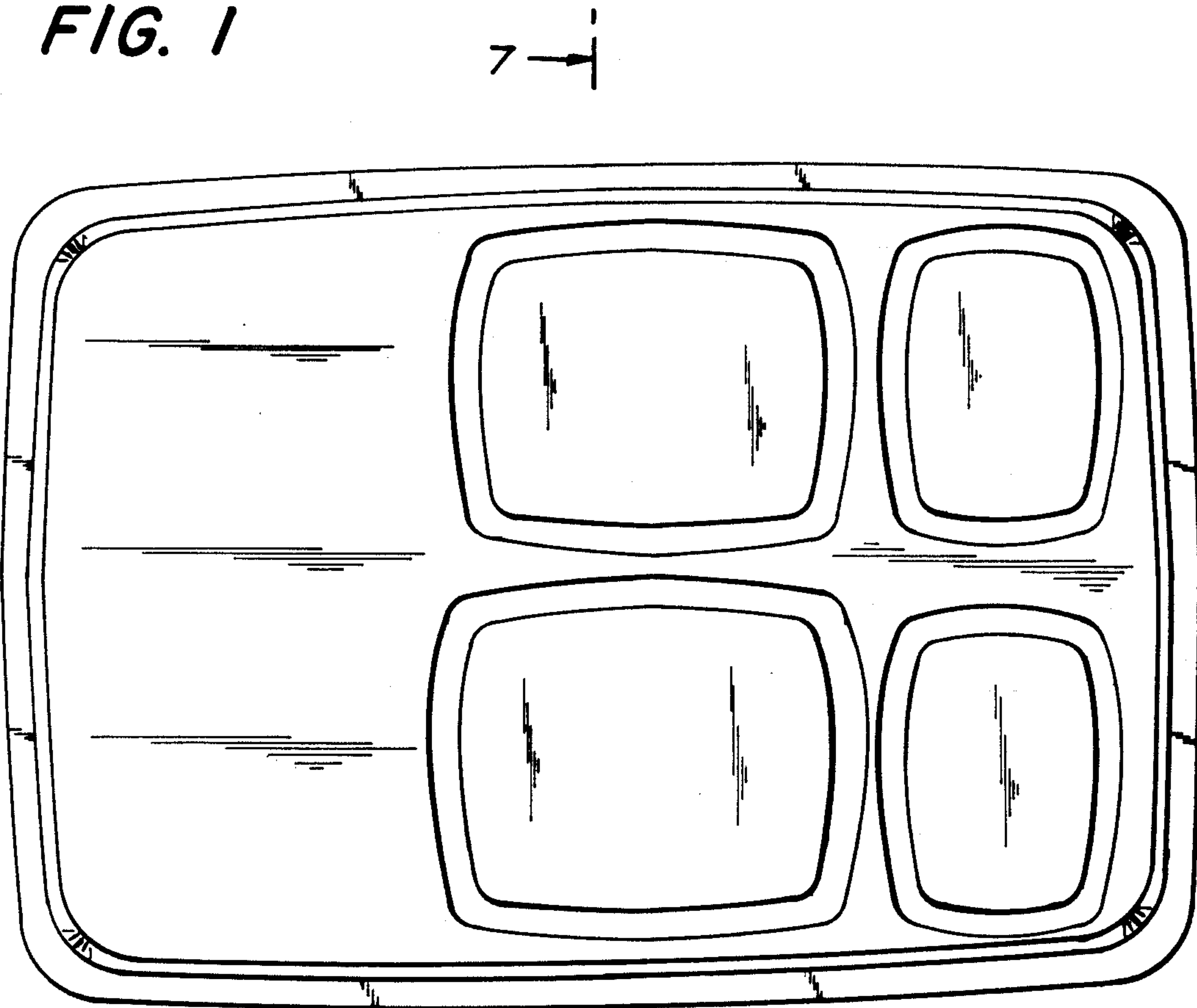


FIG. 5

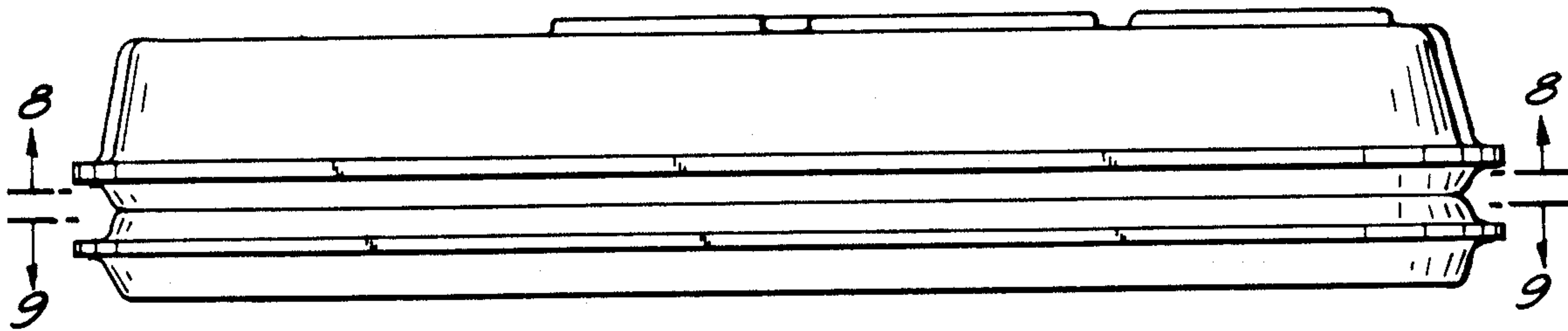


FIG. 2

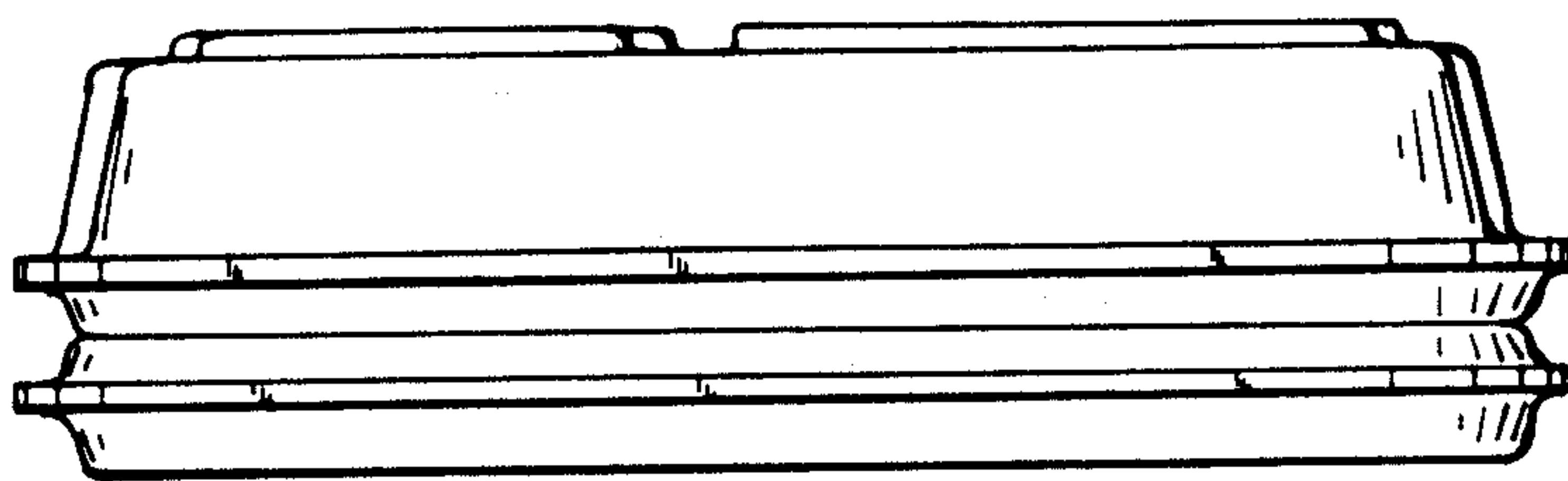


FIG. 3

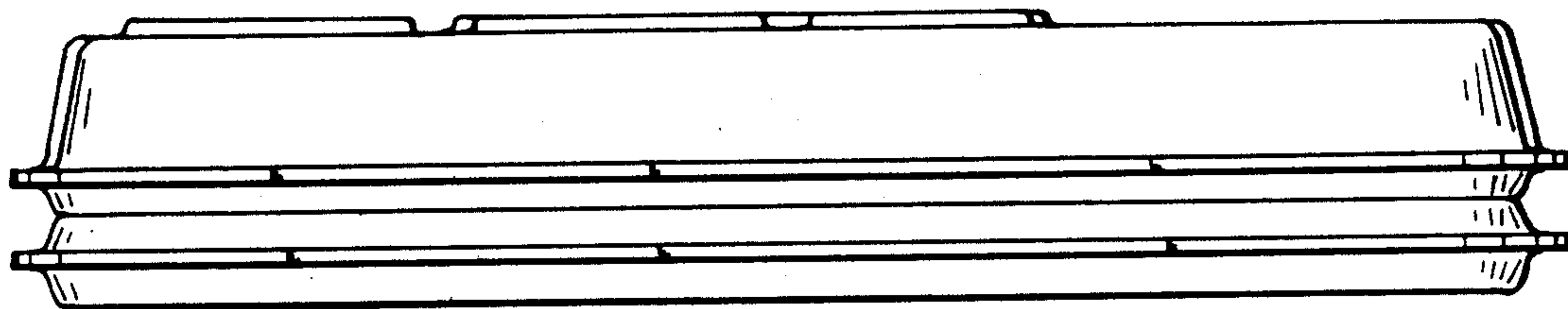


FIG. 4

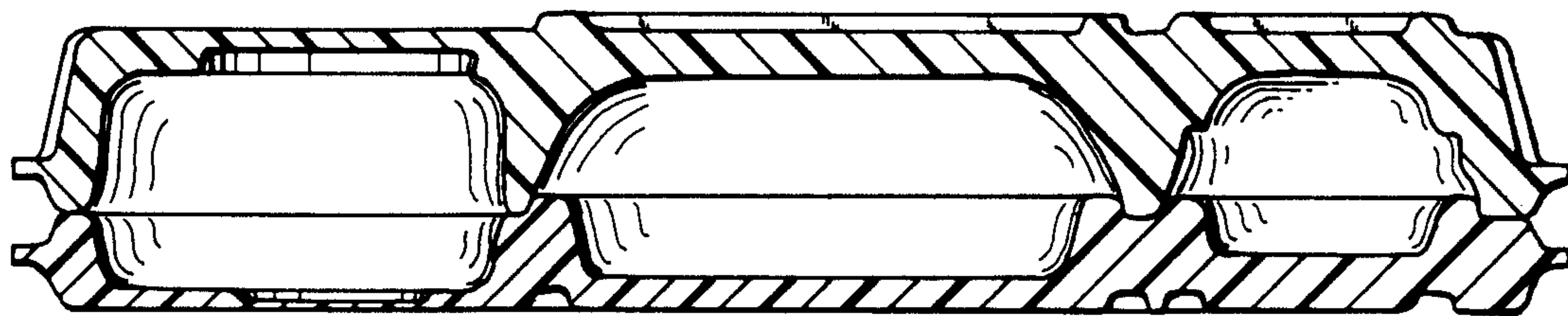


FIG. 6

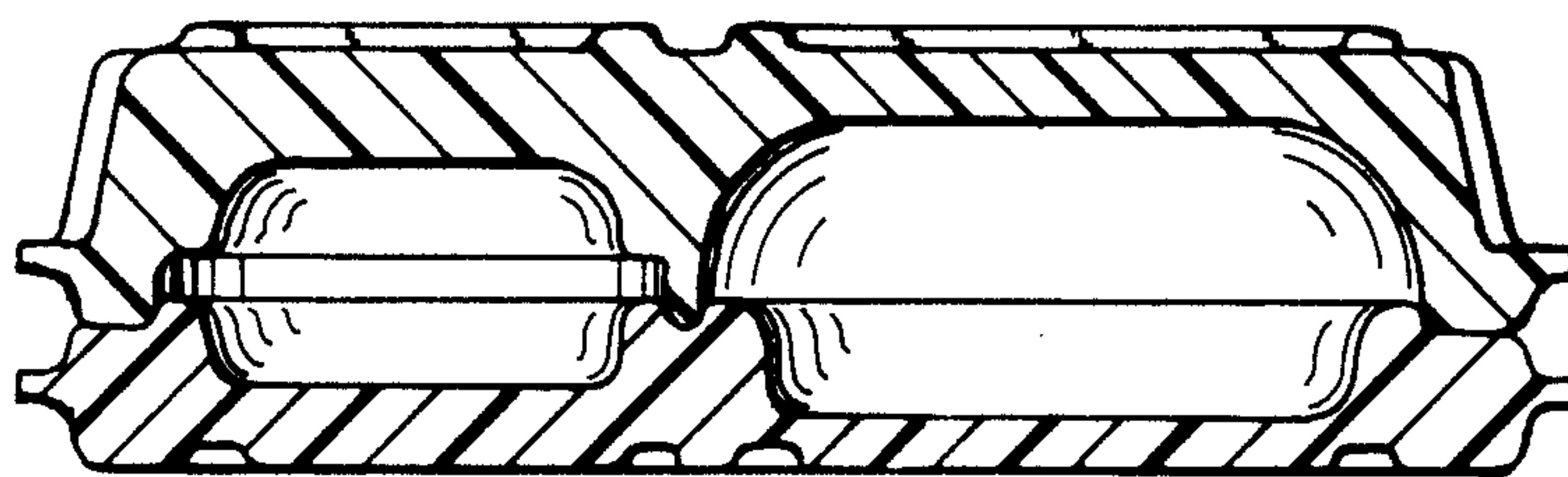


FIG. 7

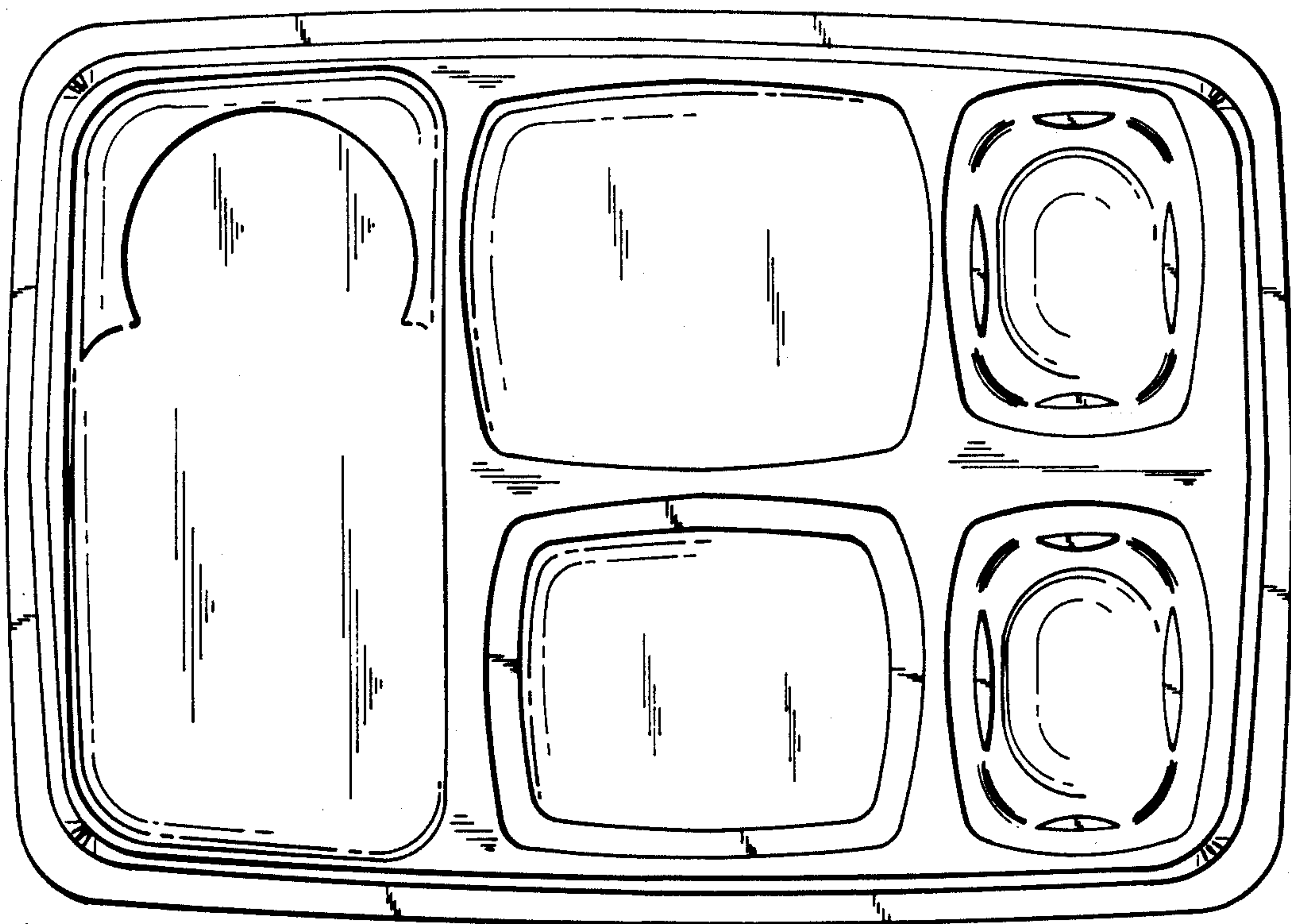


FIG. 8

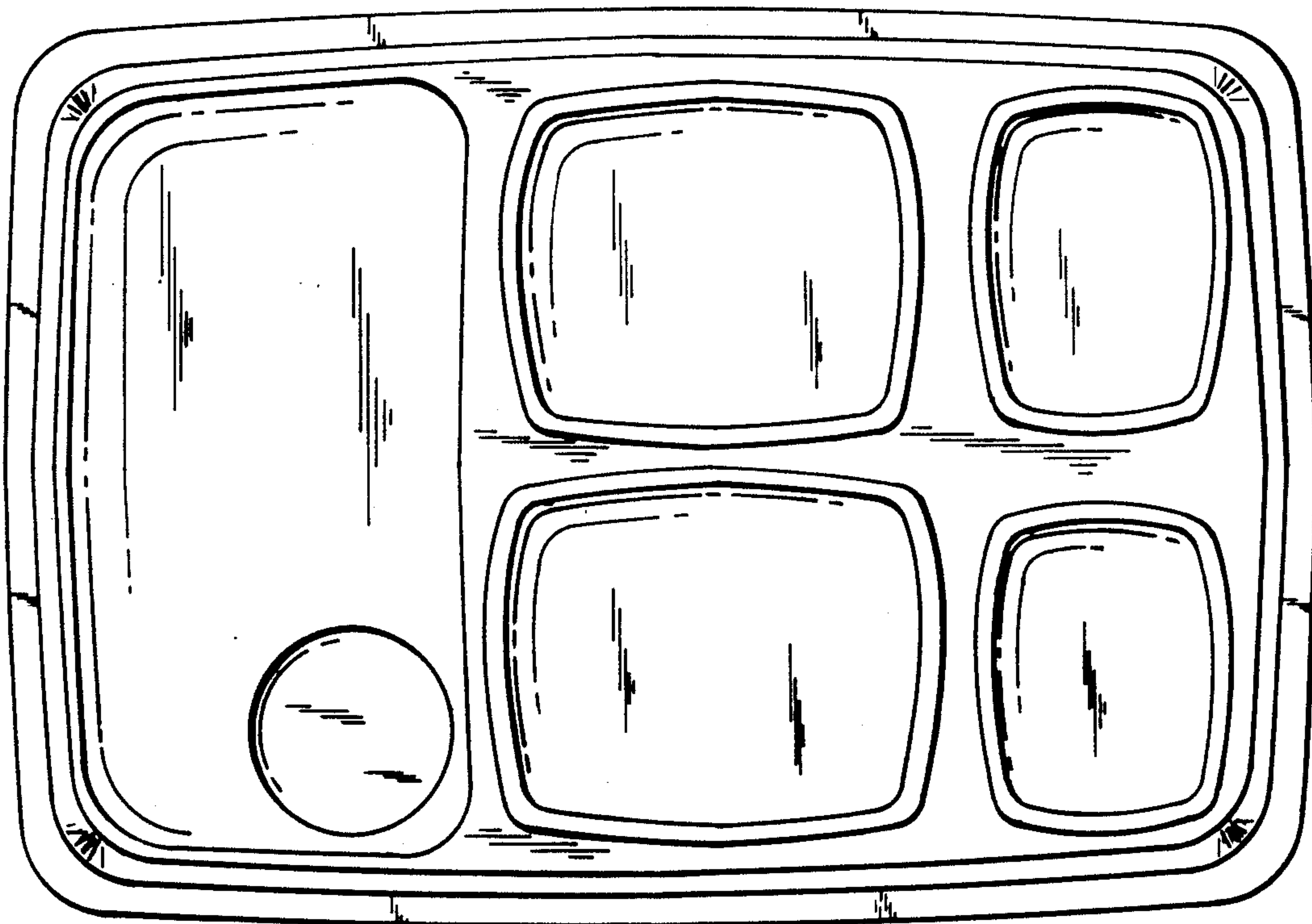


FIG. 9