

[54] BOTTLE OR SIMILAR ARTICLE

[75] Inventor: Adam J. Grodin, Forest Hills, N.Y.

[73] Assignee: American Cyanamid Company, Stamford, Conn.

[**] Term: 14 Years

[21] Appl. No.: 844,247

[22] Filed: Oct. 21, 1977

[51] Int. Cl. D9-01

[52] U.S. Cl. D9/157

[58] Field of Search D9/129, 130, 168, 167, D9/157; 215/1 R, 1 C

[56] References Cited

U.S. PATENT DOCUMENTS

D. 85,737	12/1931	De Wagner	D9/168
D. 86,724	4/1932	Joseph	D9/130
D. 195,148	4/1963	Marchant	D9/168
D. 207,802	5/1967	Du Pree	D9/168 X
D. 214,877	8/1969	Biallo et al.	D9/168

OTHER PUBLICATIONS

Beauty Fashion, Jul./Aug. 1976, p. 63, Bottle in illustration in lower right.

Primary Examiner—Robert C. Spangler
Attorney, Agent, or Firm—Charles J. Fickey

[57] CLAIM

The ornamental design for a bottle or similar article, substantially as shown and described.

DESCRIPTION

FIG. 1 is a top plan view of a bottle or similar article showing my new design;

FIG. 2 is a front view in elevation thereof, the back view being identical to the front;

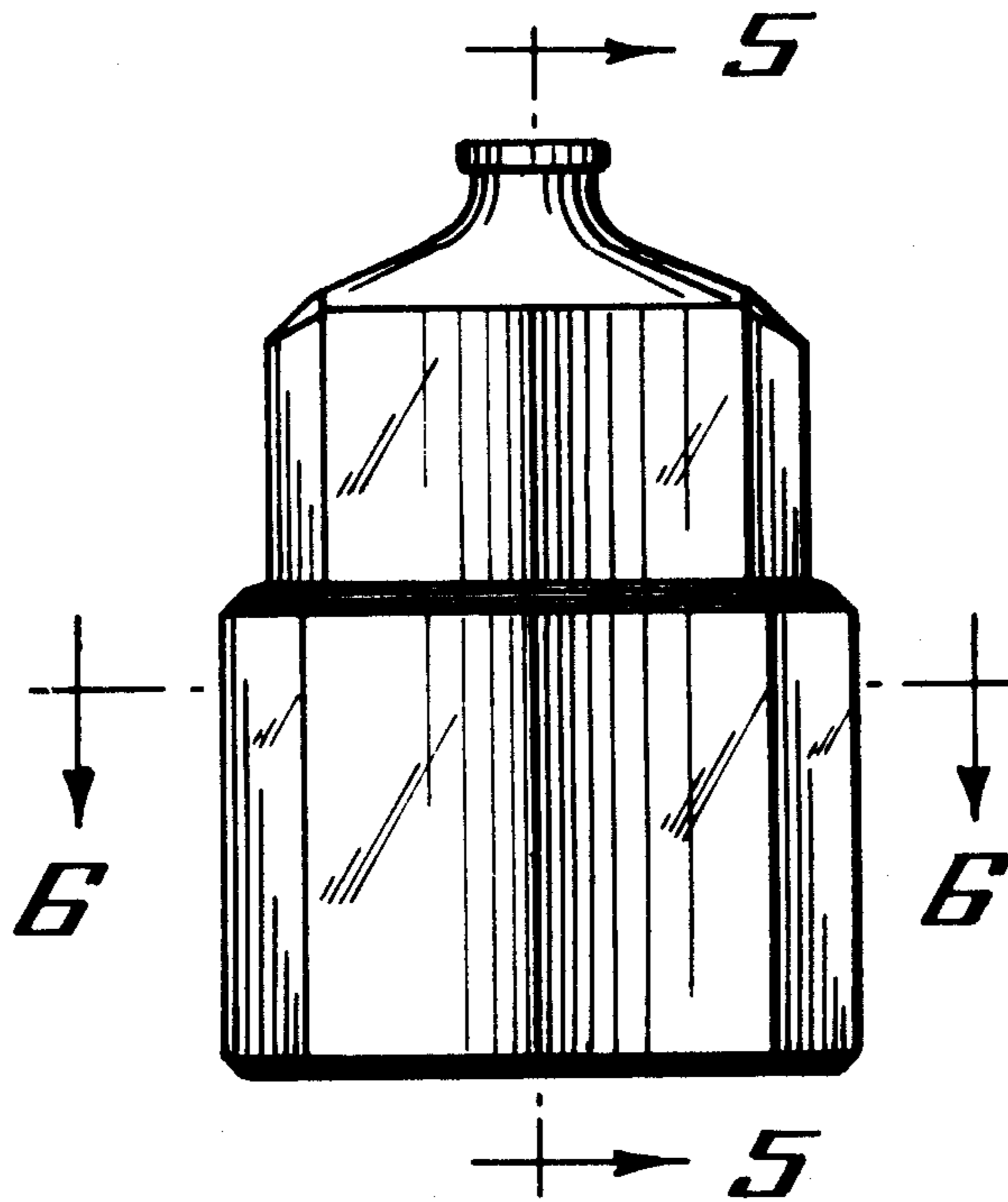
FIG. 3 is a bottom plan view thereof;

FIG. 4 is a side view in elevation, each side being identical;

FIG. 5 is a cross-sectional view thereof taken along the lines 5-5 of FIG. 2; and

FIG. 6 is a cross-sectional view thereof taken along the lines 6-6 of FIG. 2.

All beveled surfaces are plane surfaces.



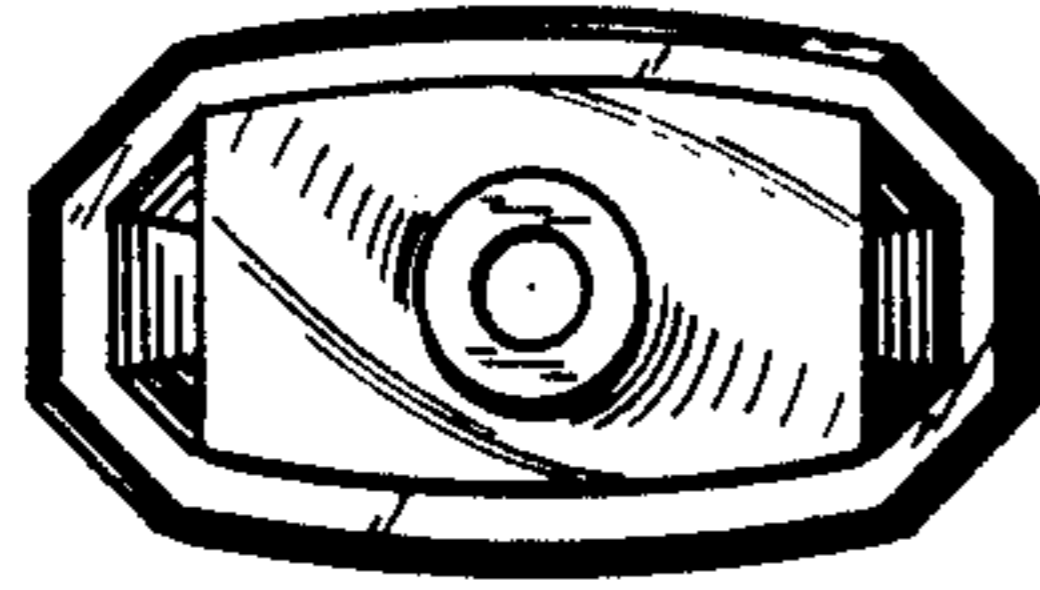


FIG. 1

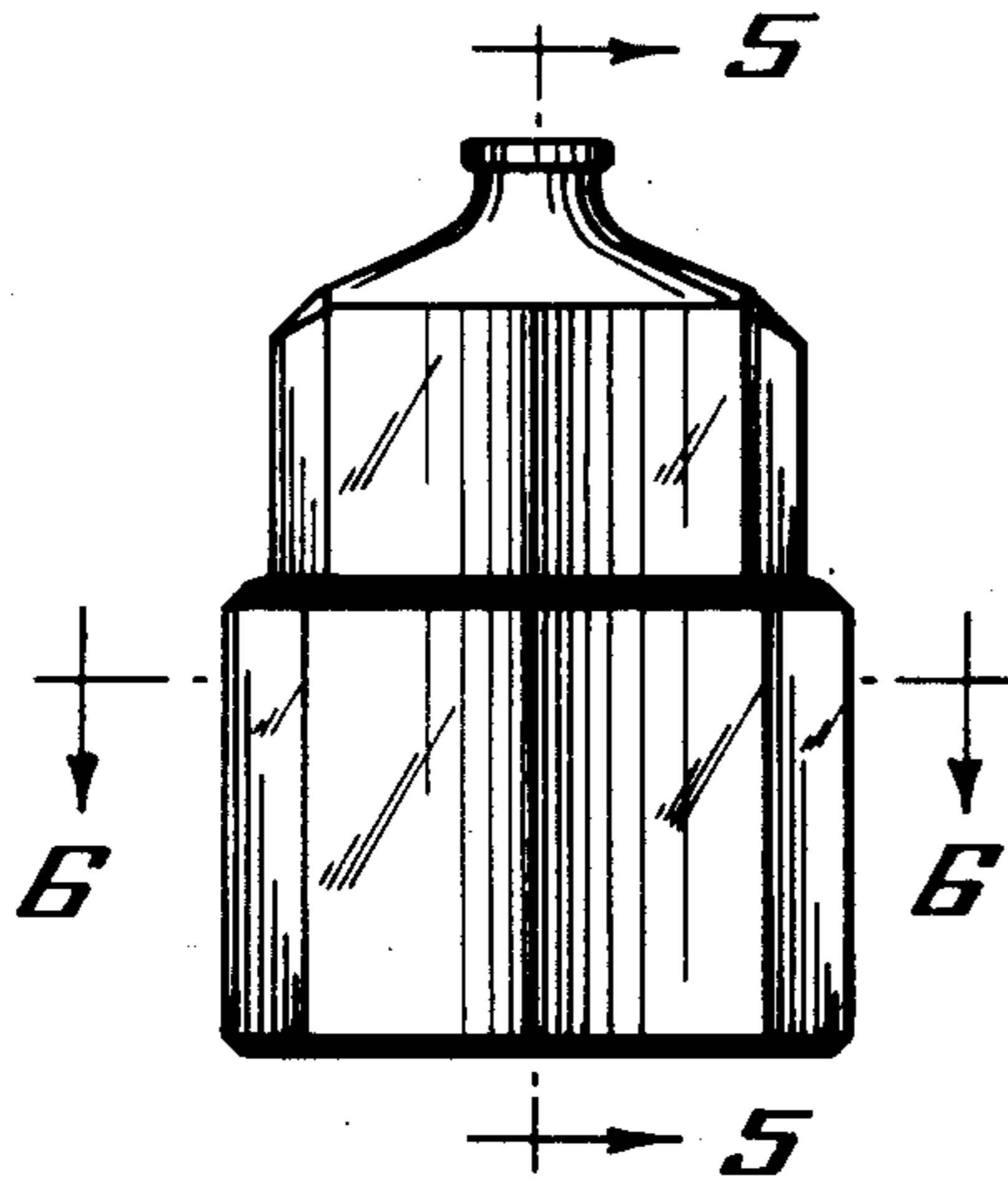


FIG. 2



FIG. 4



FIG. 3

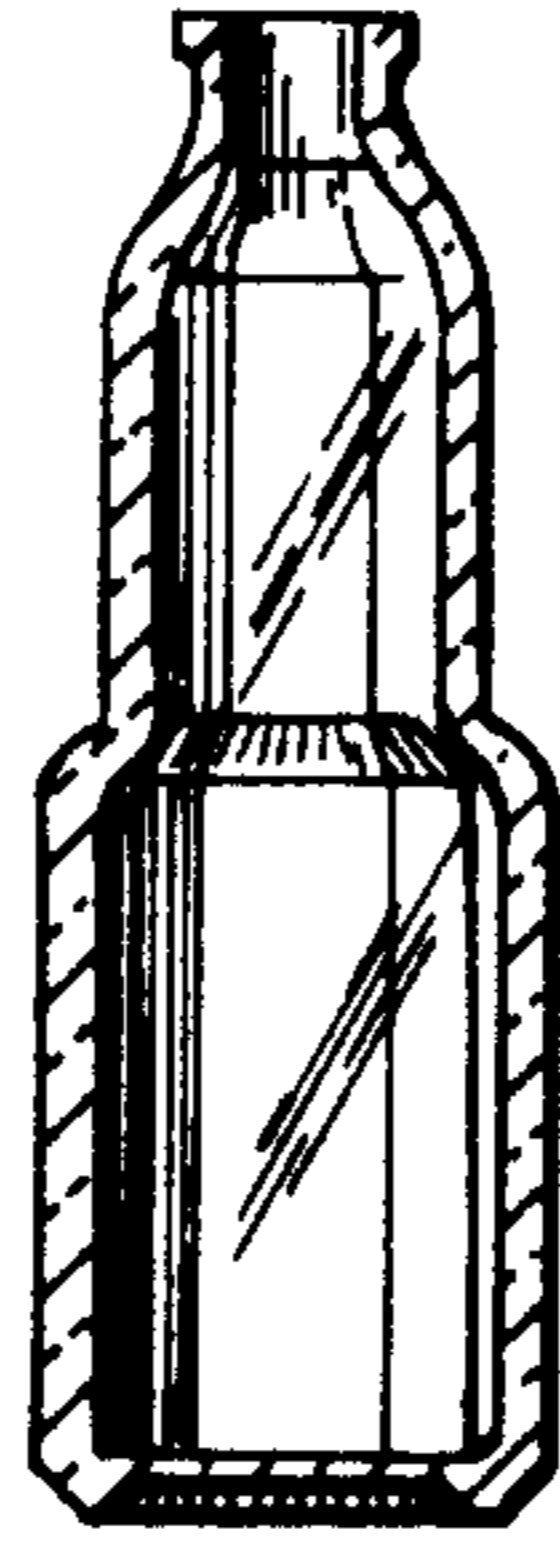


FIG. 5

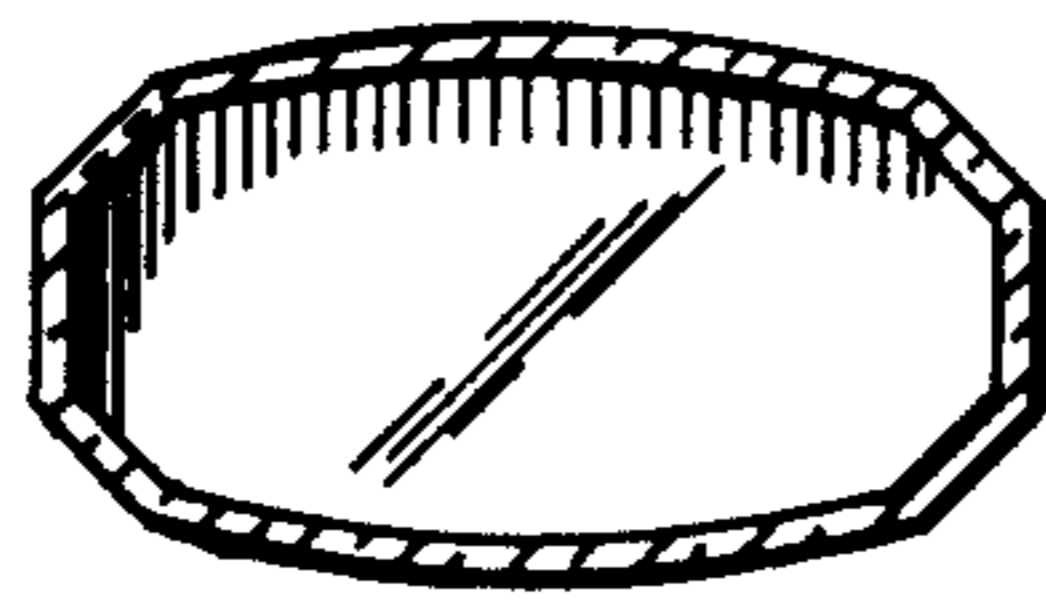


FIG. 6