

[54] HANDLE FOR GARDEN SHEARS  
 [75] Inventor: Clyde D. Atkins, Conneaut, Ohio  
 [73] Assignee: True Temper Corporation, Cleveland, Ohio  
 [\*\*] Term: 14 Years  
 [21] Appl. No.: 809,289  
 [22] Filed: Jun. 23, 1977  
 [51] Int. Cl. .... D8-01  
 [52] U.S. Cl. .... D8/5; D8/58  
 [58] Field of Search ..... D8/58, 5; 30/341, 340, 30/254, 343

[56] **References Cited**  
**U.S. PATENT DOCUMENTS**  
 D. 206,482 12/1966 Sharp ..... D8/5  
 D. 206,483 12/1966 Sharp ..... D8/5  
 D. 222,328 10/1971 Vecchione ..... D8/5  
 D. 231,311 4/1974 Rogers ..... D8/5

2,662,286 12/1953 Yeomans ..... 30/341 X

FOREIGN PATENT DOCUMENTS

899671 6/1962 United Kingdom ..... 30/341

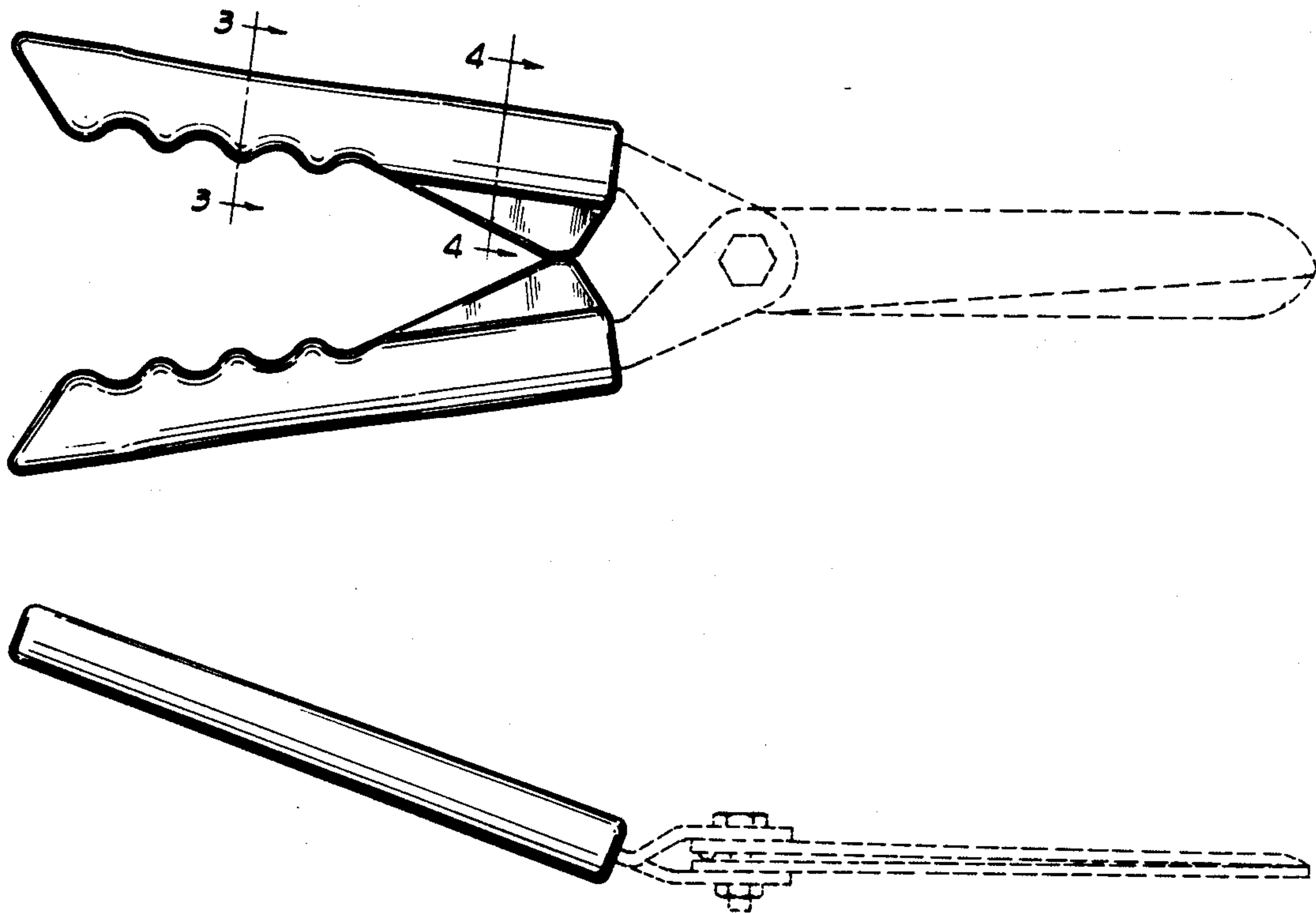
Primary Examiner—Bernard Ansher  
Attorney, Agent, or Firm—J. H. Slough

[57] CLAIM

The ornamental design for a handle for garden shears, as shown and described.

DESCRIPTION

FIG. 1 is a plan view of a handle for garden shears showing my new design;  
 FIG. 2 is a side elevational view of the handle;  
 FIG. 3 is a sectional view of the handle taken along line 3-3;  
 FIG. 4 is a sectional view of the handle taken along line 4-4.  
 The broken lines are shown for illustrative purposes only.



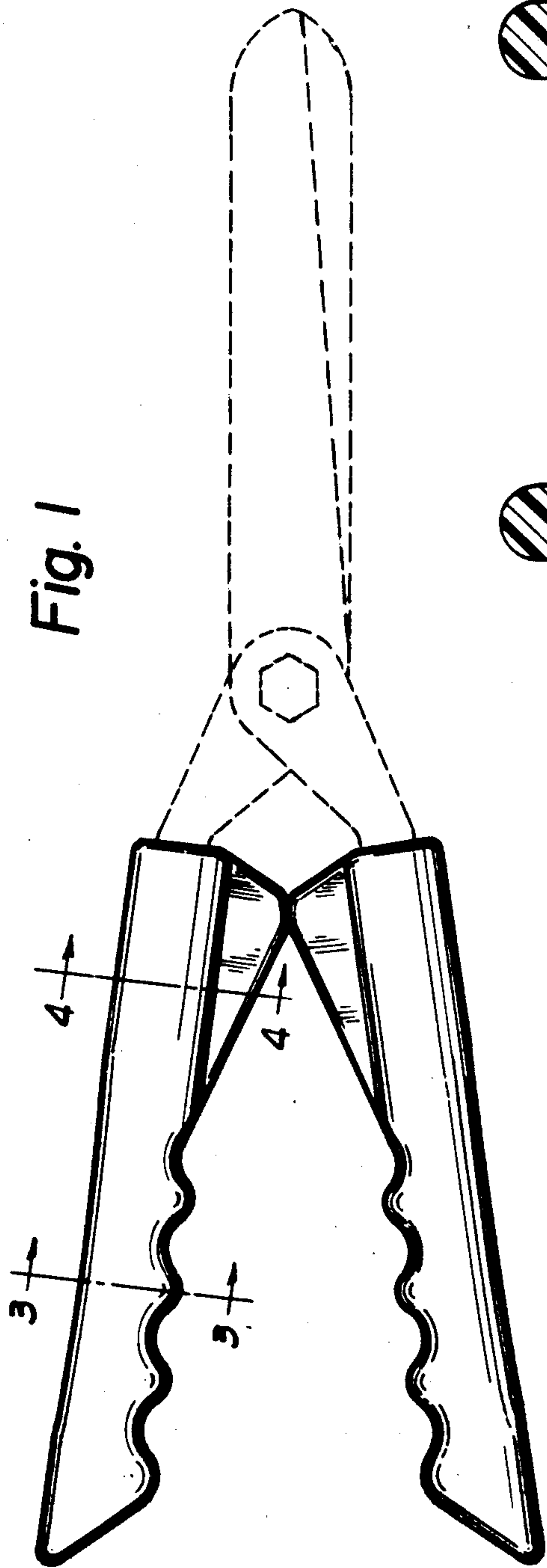


Fig. 1



Fig. 4



Fig. 3

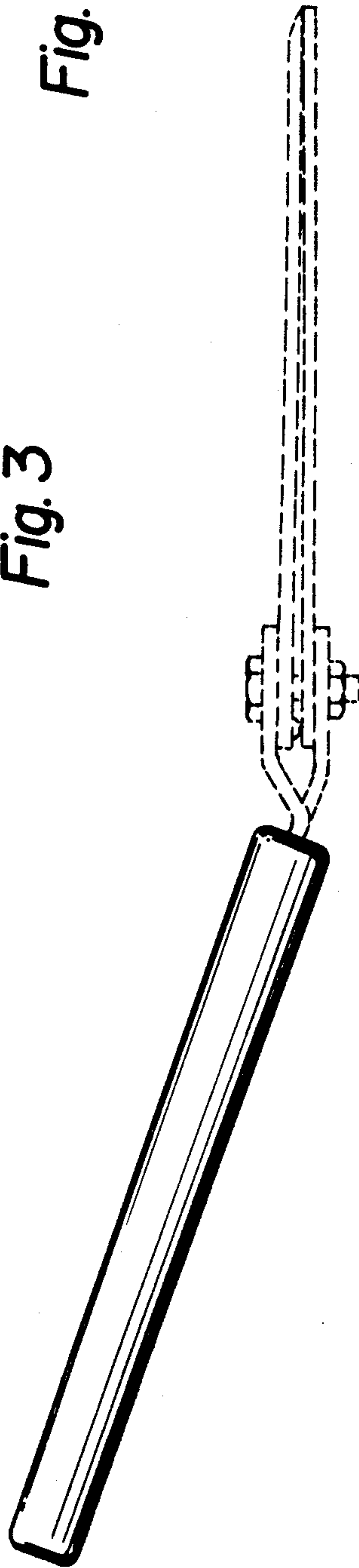


Fig. 2