

[54] LADLE

[75] Inventor: Louis J. Christen, Jr., St. Louis, Mo.

[73] Assignee: Christen Incorporated, St. Louis, Mo.

[**] Term: 14 Years

[21] Appl. No.: 885,087

[22] Filed: Mar. 9, 1978

[51] Int. Cl. D7-03

[52] U.S. Cl. D7/151; D7/104

[58] Field of Search 30/344, 322, 324; D7/99, 106, 151, 152, 132, 102, 104

[56] References Cited

U.S. PATENT DOCUMENTS

D. 117,625	11/1939	Brandt	D7/152
D. 211,819	7/1968	Connor et al.	D7/104
D. 215,871	11/1969	Cronheim	D7/151 X
D. 248,009	5/1978	Cannon	D7/151 X

OTHER PUBLICATIONS

Tableware International, Aug. 1977, p. 40, Panel #3 at top r., "Patio" Stainless Steel-Rosewood Handles, second spoon in from left.

Ekco 70th Anniversary Housewares Cat., ©1957, p. 122, Basting Spoon #3308 top left.

Primary Examiner—Winifred E. Herrmann
Attorney, Agent, or Firm—Ralph W. Kalish

[57] CLAIM

The ornamental design for a ladle, as shown.

DESCRIPTION

FIG. 1 is a perspective view of a ladle showing my new design.

FIG. 2 is a side elevational view thereof.

FIG. 3 is a bottom plan view.

FIG. 4 is an end elevational view from the right of FIG. 2; and

FIG. 5 is an end elevational view from the left of FIG. 2.

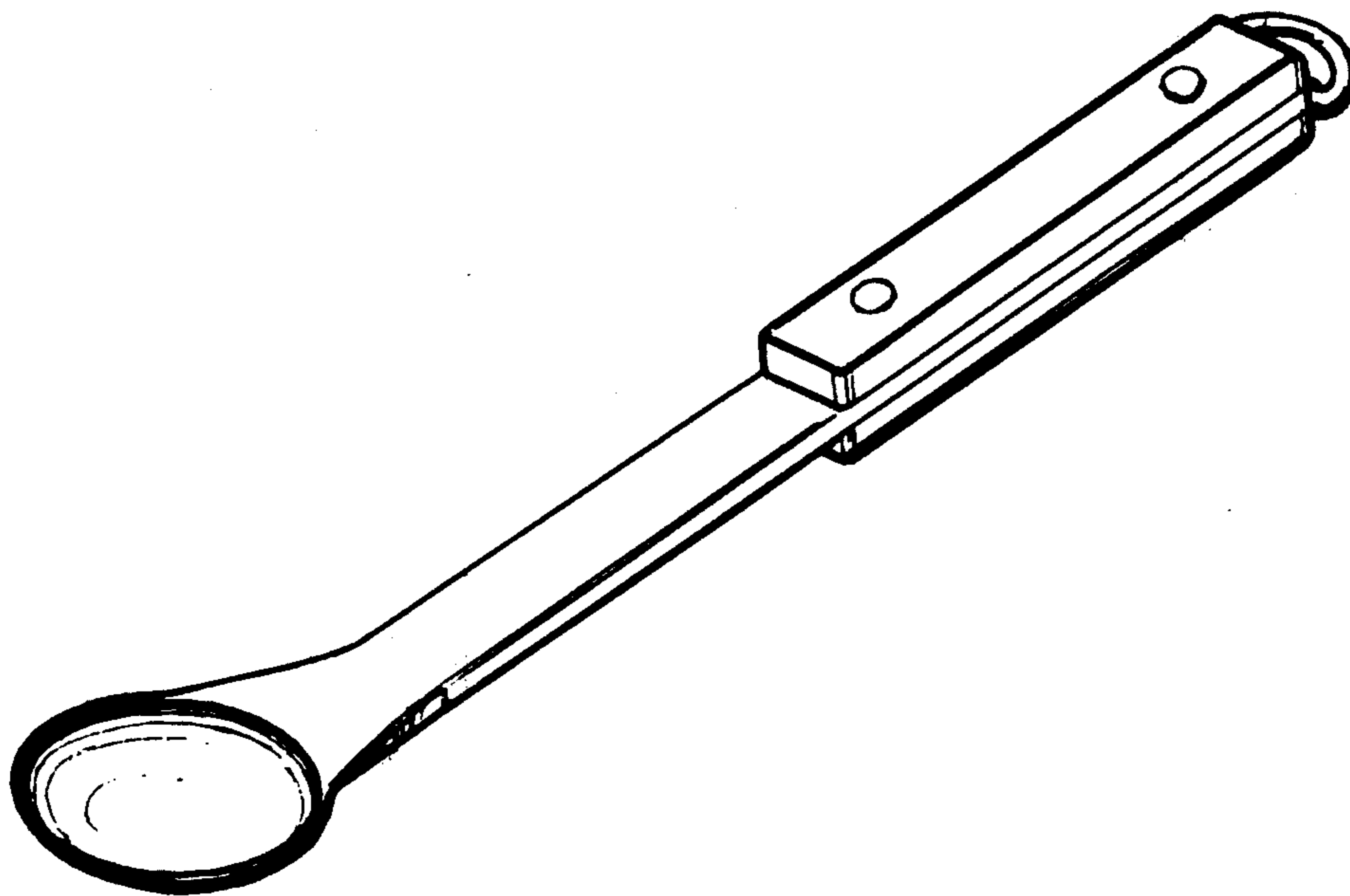


FIG. 1

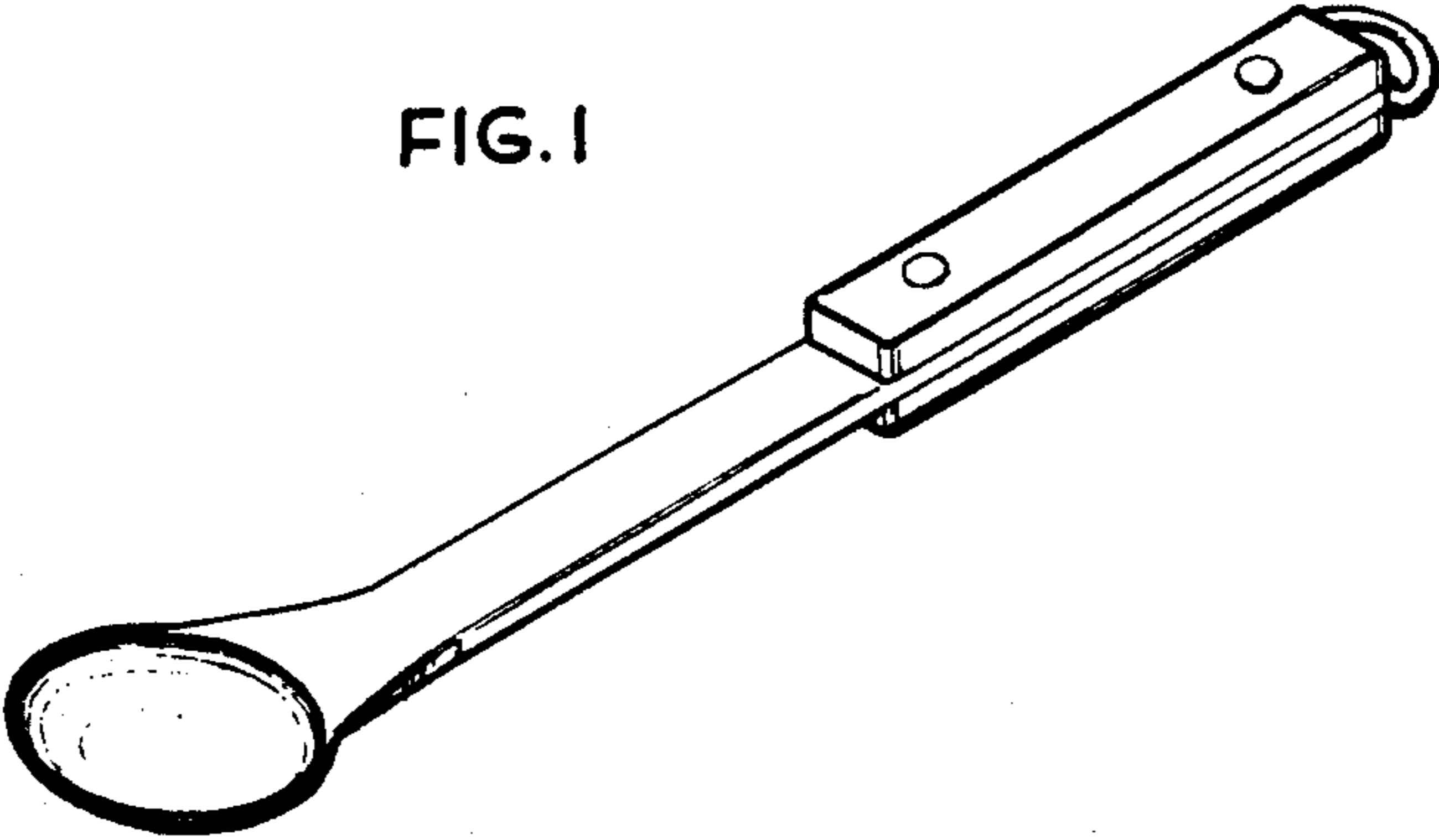


FIG. 2

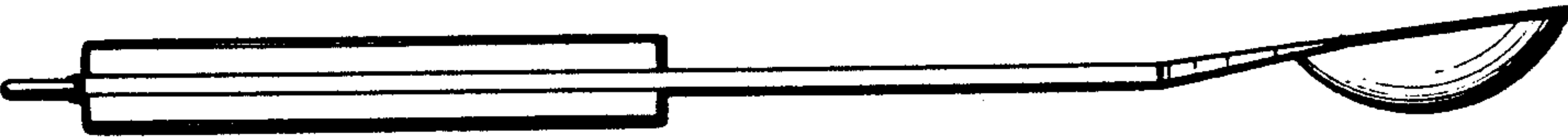


FIG. 3

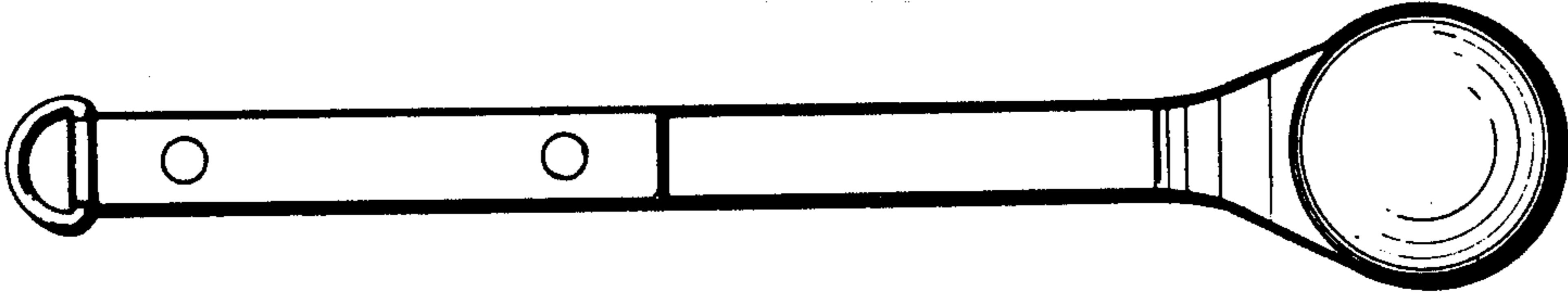


FIG. 4



FIG. 5

