

[54] HYDROTHERAPY SPA

[75] Inventor: **Richard G. Reineman**, Newport Beach, Calif.

[73] Assignee: **Marlin Fiberglass**, Huntington Beach, Calif.

[**] Term: **14 Years**

[21] Appl. No.: **47,271**

[22] Filed: **Jun. 11, 1979**

Related U.S. Application Data

[63] Continuation-in-part of Ser. No. 005,913, Jan. 23, 1979, abandoned.

[51] Int. Cl. **D24-01; D23-02; D25-99**

[52] U.S. Cl. **D24/38; D23/55; D25/2; 128/66**

[58] Field of Search **D24/36, 38; D23/55, D23/48, 49, 52; D25/2; 128/366, 66; 4/172, 173, 178, 172.19, 177, 180**

[56] **References Cited**

U.S. PATENT DOCUMENTS

D. 206,143	11/1966	Jacuzzi	D24/36 X
D. 245,542	8/1977	Melcoior	D24/38
D. 247,577	3/1978	DiGiacomo	D24/38
D. 247,977	5/1978	Jacuzzi	D24/38
3,688,775	9/1972	Raymann	128/366
3,952,338	4/1976	Traxclair	4/172.15

Primary Examiner—Bernard Ansher
Attorney, Agent, or Firm—Knobbe, Martens, Olson, Hubbard & Bear

[57] **CLAIM**

The ornamental design for a hydrotherapy spa, as shown.

DESCRIPTION

FIG. 1 is a perspective view of a hydrotherapy spa showing my new design;

FIG. 2 is another perspective view thereof, taken from a different angle;

FIG. 3 is a top plan view thereof;

FIG. 4 is a cross-sectional view thereof, taken along line 4-4 of FIG. 3;

FIG. 5 is a cross-sectional view thereof, taken along line 5-5 of FIG. 3; and

FIG. 6 is a cross-sectional view thereof, taken along line 6-6 of FIG. 3.

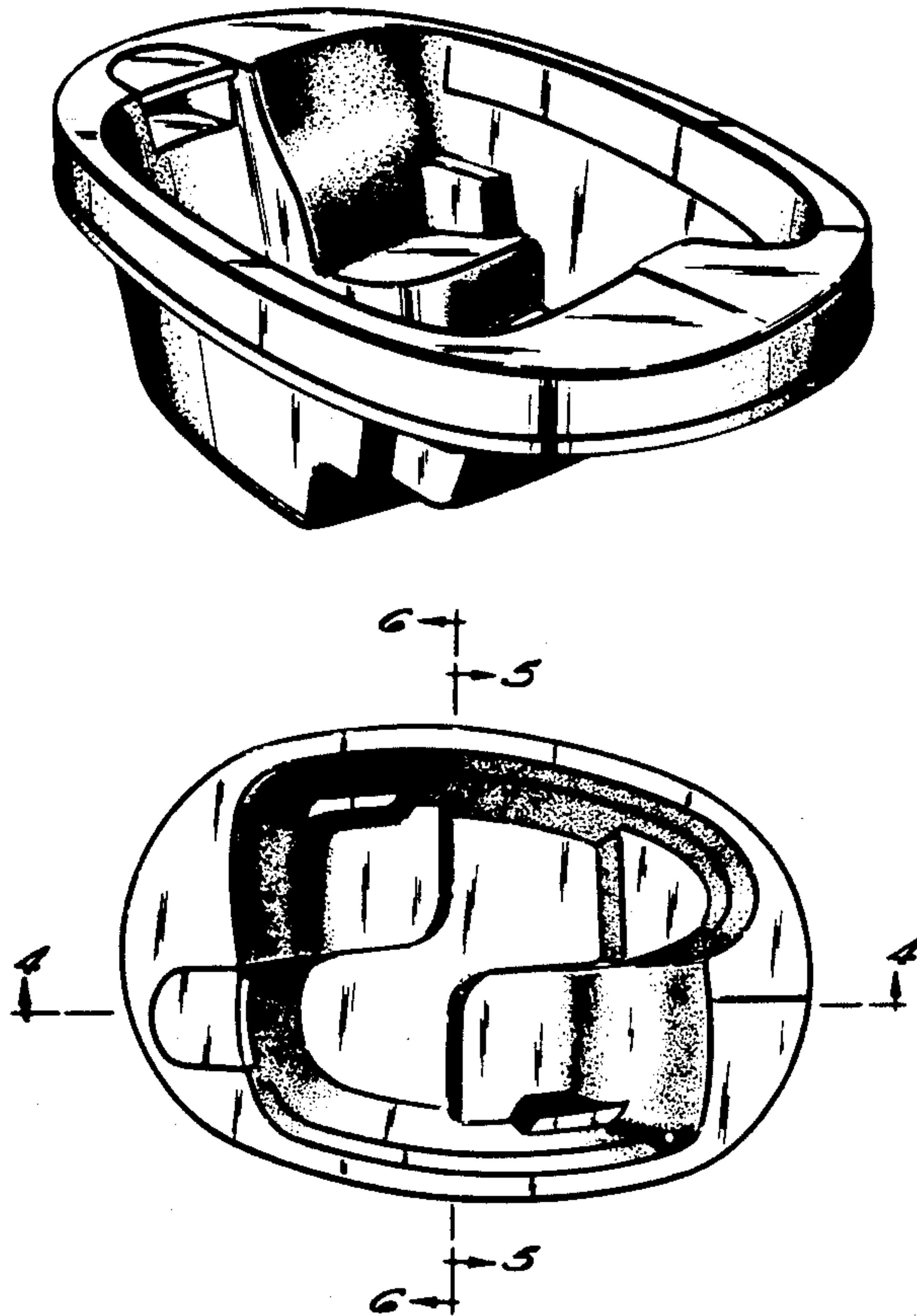


Fig. 1

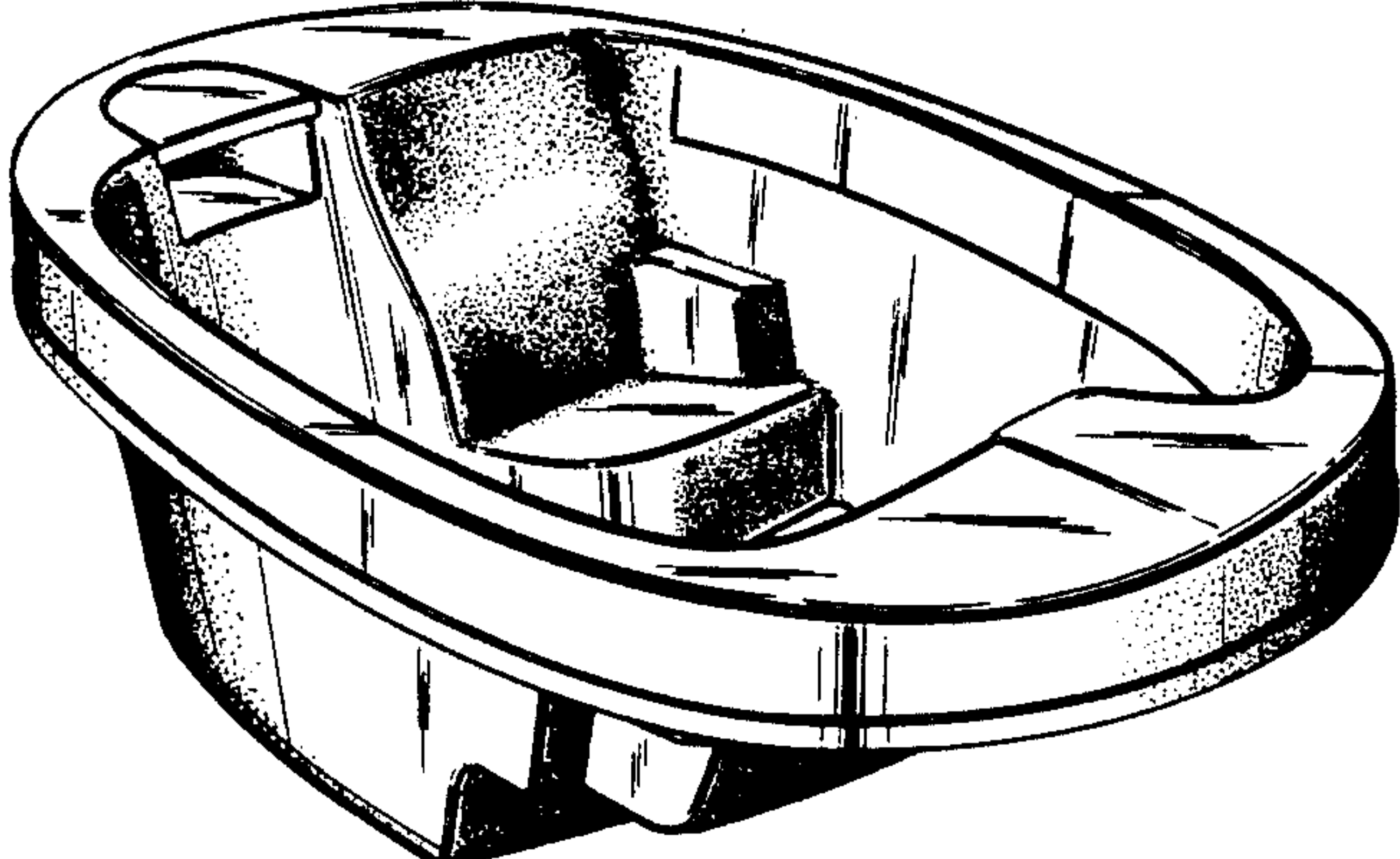


Fig. 2

