

[54] HYDROTHERAPY SPA

[75] Inventor: **Richard G. Reineman**, Newport Beach, Calif.

[73] Assignee: **Marlin Fiberglass**, Huntington Beach, Calif.

[**] Term: **14 Years**

[21] Appl. No.: **47,269**

[22] Filed: **Jun. 11, 1979**

Related U.S. Application Data

[63] Continuation-in-part of Ser. No. 005,912, Jan. 23, 1979.

[51] Int. Cl. **D24—01; D23—02; D25—99**

[52] U.S. Cl. **D24/38; D23/55; D25/2; 128/66**

[58] Field of Search **D24/36, 38; D23/55, D23/48, 49, 52; D25/2; 128/366, 66; 4/172, 173, 178, 172.19, 177**

[56]

References Cited

U.S. PATENT DOCUMENTS

D. 206,143	11/1966	Jacuzzi	D24/36 X
D. 245,542	8/1977	Melcior	D25/2 X
D. 247,577	3/1978	DiGiacomo	D24/38
D. 247,977	5/1978	Jacuzzi	D24/38
3,688,775	9/1972	Raymann	128/366
3,952,338	4/1976	Traxclair	4/172.15

Primary Examiner—Bernard Ansher
Attorney, Agent, or Firm—Knobbe, Martens, Olson, Hubbard & Bear

[57]

CLAIM

The ornamental design for a hydrotherapy spa, as shown.

DESCRIPTION

FIG. 1 is a perspective view of a hydrotherapy spa showing my new design;
FIG. 2 is another perspective view thereof, taken from a different angle;
FIG. 3 is a top plan view thereof;
FIG. 4 is a cross-sectional view thereof, taken along line 4—4 of FIG. 3; and
FIG. 5 is a cross-sectional view thereof, taken along line 5—5.

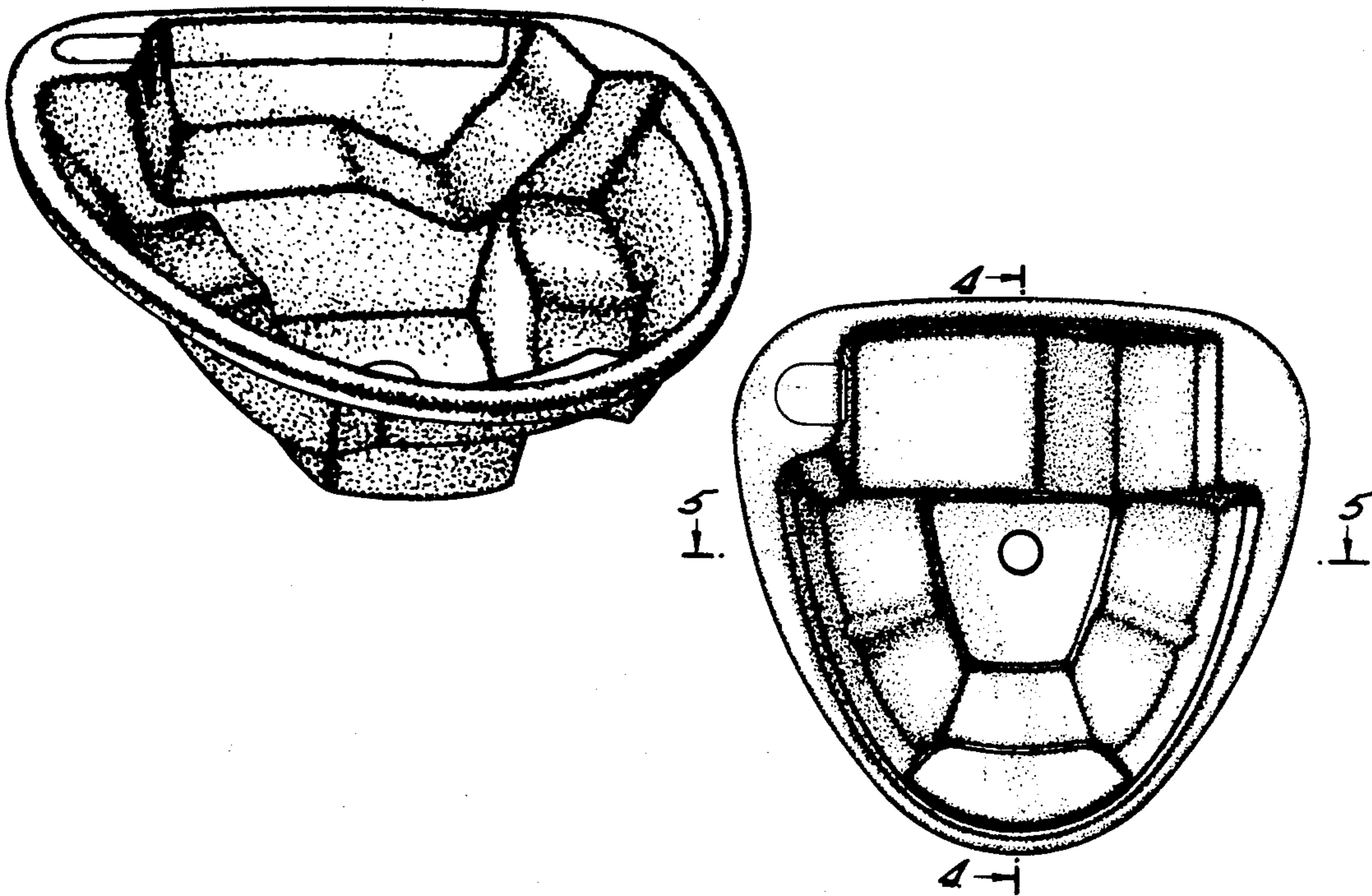


FIG. 1.

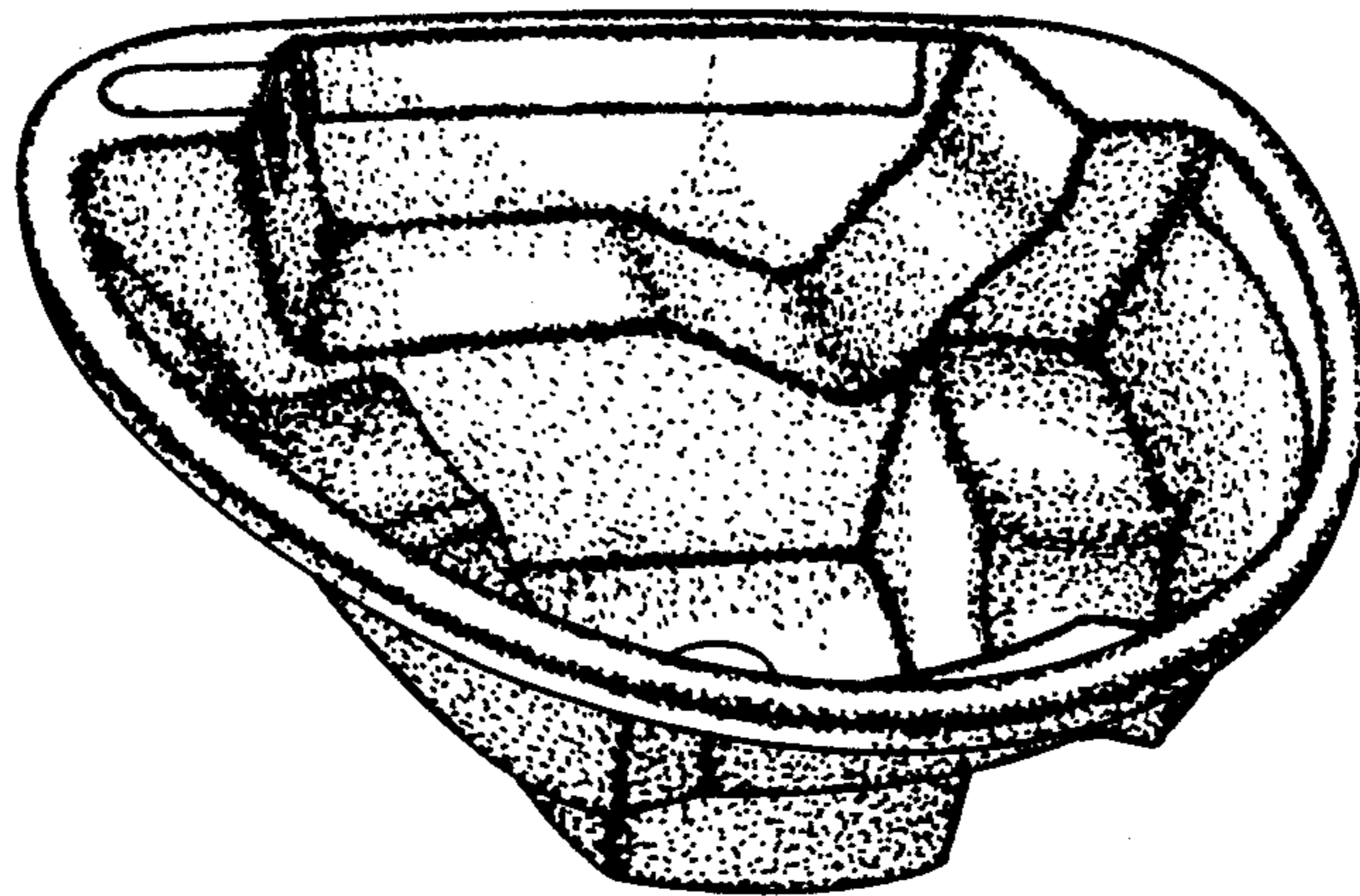
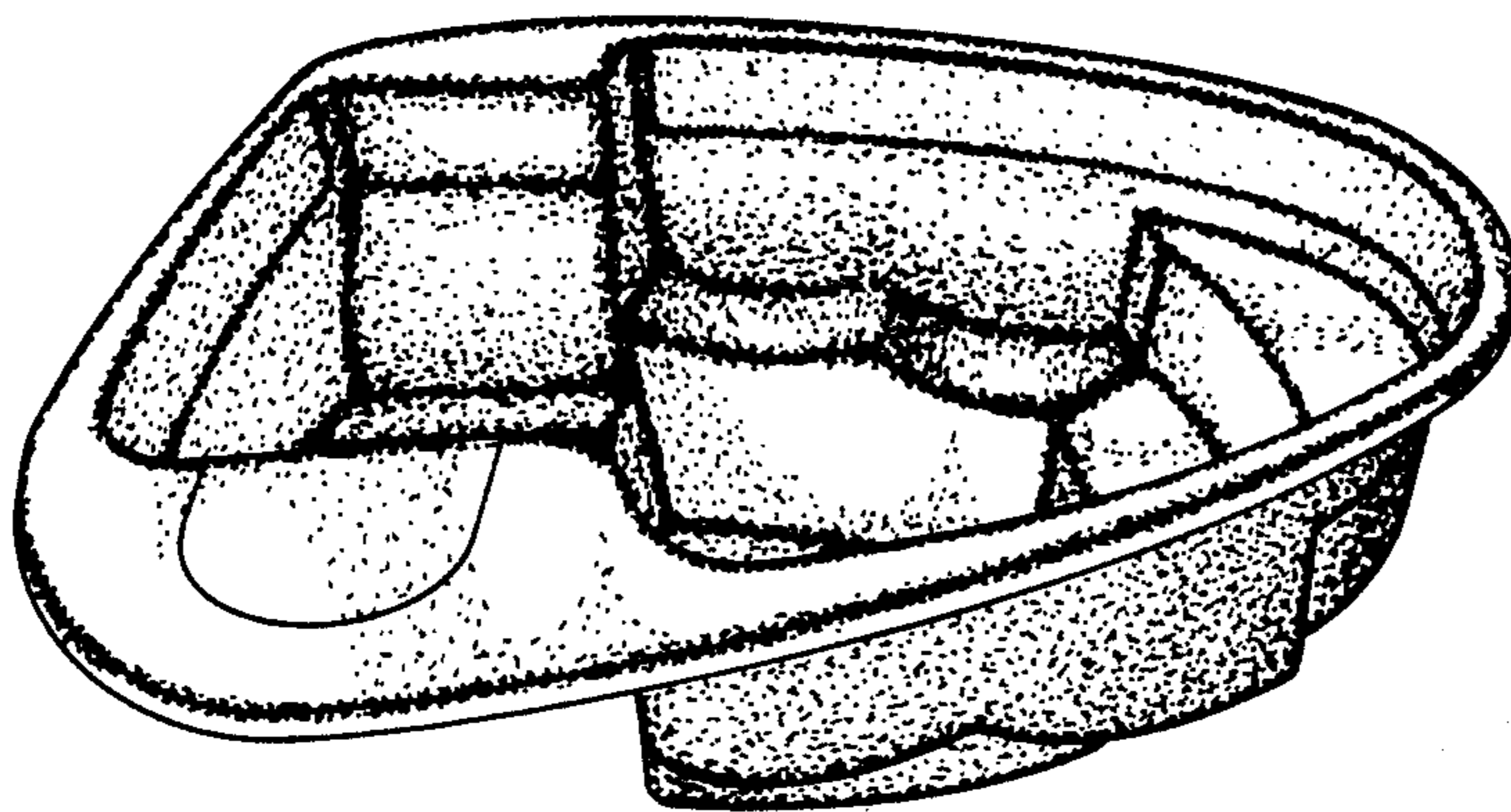


FIG. 2.



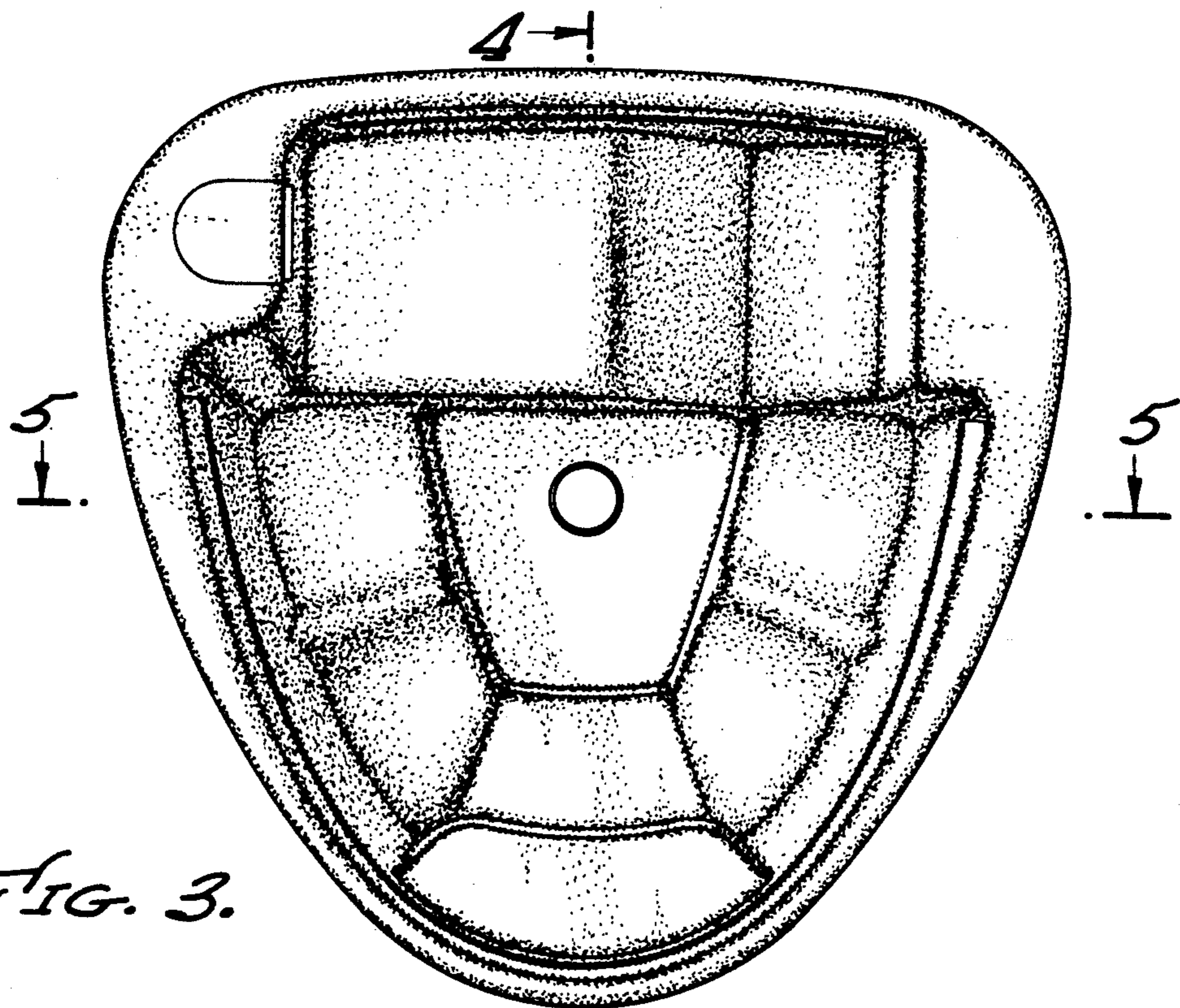


FIG. 3.

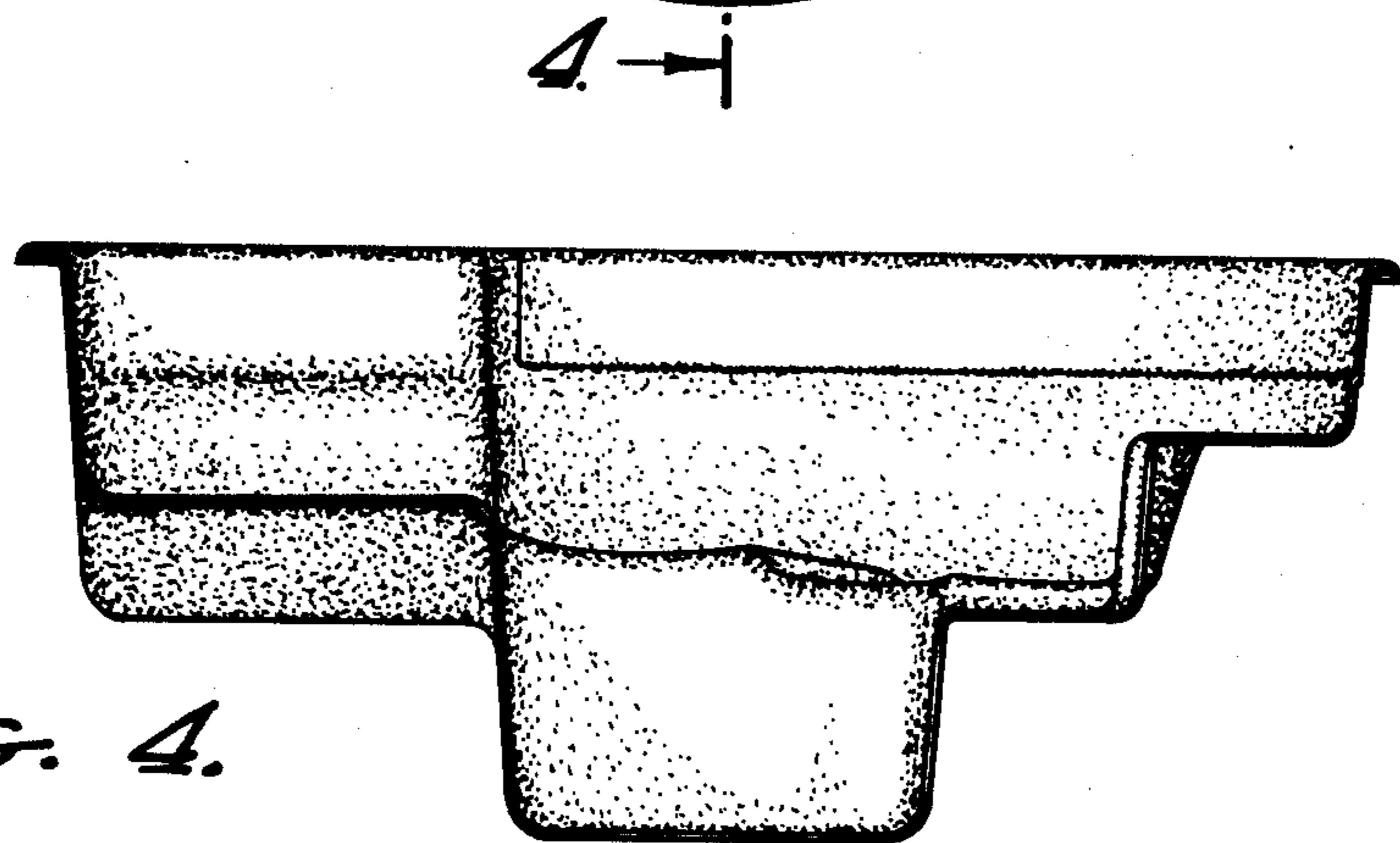


FIG. 4.

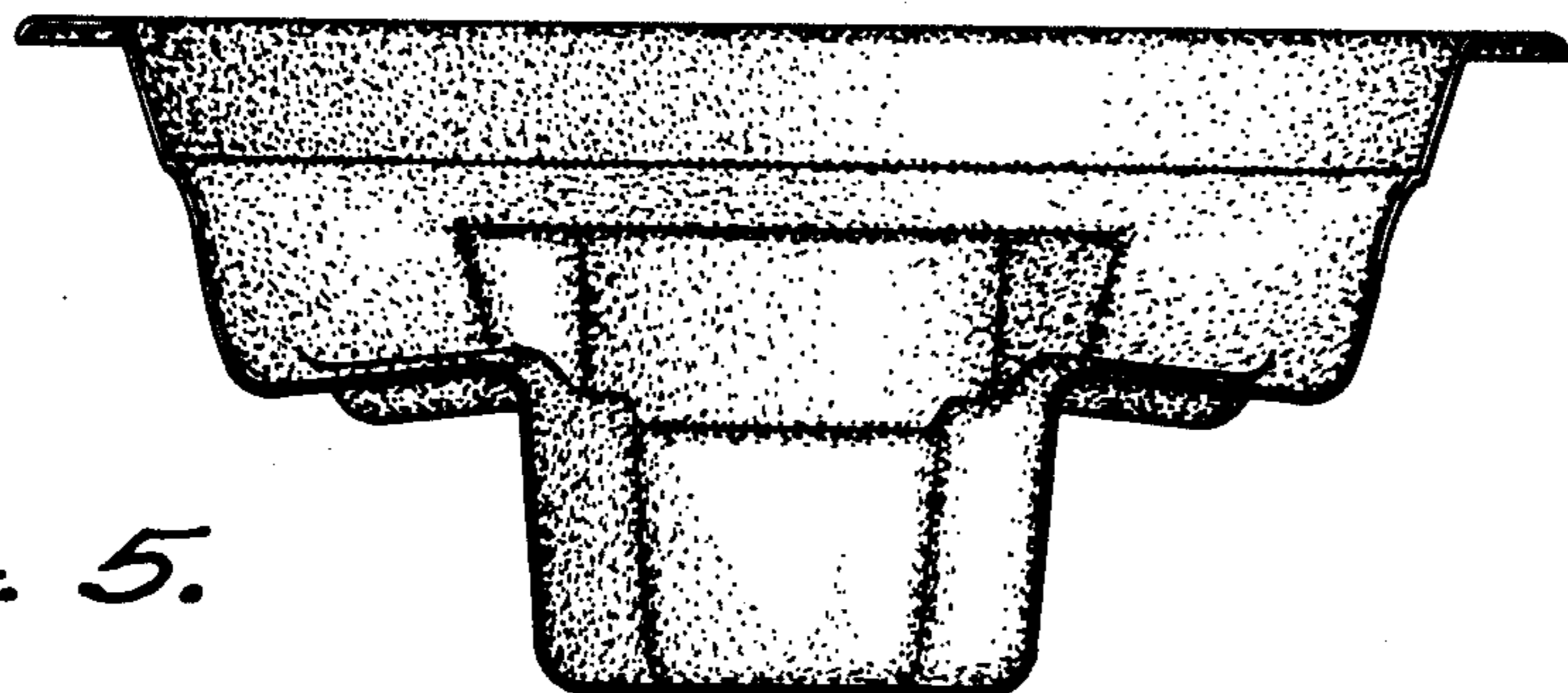


FIG. 5.